



Vettura	Porte	Anno	Tipo Tetto	Tetto Normal / Fix Point				Tetto Railing				Tetto Rails Int. - Railing Speciali														
				Componibile		Preassembl.		Componibile		Preassemblata		Componibile		Preassemblata												
				Kit	Traversa (Cm) 156.500	Original Traversa (Cm)	Rapido Traversa (Cm) 164.001	Acc 159.xxx	Alu 162.xxx	KIT	PIEDE 156.600	Traversa (Cm) 164.002	E.O. SW 156.xxx	Acc Alu	FREELINE (156.XXX)	TRAX (157.xxx)	KIT	Piede 156.601	Traversa (Cm)	Acc Alu	QUICK 156.xxx	FREELINE (156.xxx)	EDGE KIT	EDGE (157.xxx)		
<b>Abarth</b>																										
500	3	2007 → 2015	Normal	SI	156.281	●	113	●	113	●	067	067														
600	5	2025 →	Normal	NV	163.231	●	113	●	120																	
Punto	3	2005 → 2014	Normal	SI	156.251	●	107	●	113	●	056	056														
<b>Aion</b>																										
V	5	2025 →	Railing	SI									530	156.655	●	107	857	957								
<b>Always</b>																										
U5	5	2022 →	Rails Int.	SI											●	113	865	965	730							820
<b>Alfa Romeo</b>																										
147	3	2000 → 2010	Normal	SI	156.311	●	107	●	107																	
147	5	2000 → 2010	Normal	SI	156.245	●	107	●	107		048	048														
156 Crosswagon	5	2004 → 2007	Railing	SI											●	120	815	915	515	920						
156 SW	5	2000 → 2006	Railing	SI											●	120	815	915	515	920						
159	4	2005 → 2013	Normal	SI	156.238	●	107	●	113	●	057	057														
159 SW	5	2005 → 2013	Normal	SI	156.238	●	107	●	113	●	057	057														
159 SW	5	2005 → 2013	Railing	SI											●	120	815	915	515	920						
75	4	1985 → 1992	Normal								024	024														
Giulia	4	2016 →	Normal	NV	156.337	●	113	●	120	●	082	082														
Giulietta	5	2010 → 2020	Normal	NO	156.239	●	107	●	113	●	108	108														
Junior	5	2025 →	Normal	NV	163.231	●	113	●	120																	
Mito	3	2008 → 2018	Fix Point	SI	156.110	●	107	●	107	●	010	010														
Stelvio	5	2017 →	Rails Int.	SI																						812
<b>Audi</b>																										
80 SW	5	1992 → 1995	Railing	SI											●	107	815	915	515	920						
A1 (8X)	3	2010 → 2018	Normal	NO	156.289	●	113	●	120																	
A1 Sportback (8X)	5	2011 → 2018	Normal	NO	156.279	●	113	●	120		065	065														
A1 Sportback (8X)	5	2011 → 2018	Normal	SI							065	065														
A1 Sportback (GB)	5	2018 →	Normal	NV							089	089														
A3 (8L)	3	1996 → 2003	Normal								023	023														
A3 (8P)	3	2003 → 2012	Normal	NO	156.277	●	113	●	120	●	032	032														
A3 (8P)	3	2003 → 2012	Normal	SI							032	032														
A3 (8V)	3	2012 → 2017	Normal	NO	156.278	●	120	●	120																	
A3 Berlina (8V)	4	2013 → 2020	Normal	NO	156.343	●	120	●	120																	
A3 Sportback (8P)	5	2004 → 2012	Normal	NV	156.372	●	113	●	120		036	036														
A3 Sportback (8P)	5	2004 → 2013	Rails Int.	SI							156.401	●	126	830	930											812
A3 Sportback (8V)	5	2012 → 2020	Normal	NO	156.308	●	120	●	120		084	084														
A3 Sportback (8V)	5	2012 → 2020	Normal	SI							084	084														
A3 Sportback (8V)	5	2012 → 2020	Rails Int.	SI																						
A3 Sportback (8Y)	5	2020 →	Normal	NV	156.398	●	120	●	120		089	089														812
A3 Sportback (8Y)	5	2020 →	Rails Int.	SI																						
A4 (B6)	4	2000 → 2004	Normal		156.359	●	113	●	120	●	059	059														820
A4 (B7)	4	2004 → 2007	Normal	NV	156.359	●	113	●	120																	

Vettura	Porte	Anno	Tipo Tetto	Tetto Normal / Fix Point				Tetto Railing				Tetto Rails Int. - Railing Speciali								
				Componibile		Preassembl.		Componibile		Preassemblata		Componibile		Preassemblata						
				Kit	Piede 156.500 Traversa (Cm)	Original Traversa (Cm)	Piede 164.001 Traversa (Cm)	Acc 159.xxx Alu 162.xxx	EVO	KIT	PIEDE 156.600 Traversa (Cm)	E.O. SW 156.xxx Acc Alu	FREE LINE (156.XXX)	TRAX (157.xxx)	KIT	Piede 156.601 Traversa (Cm)	QUICK 156.xxx Acc Alu	FREE LINE (156.xxx)	EDGE KIT	EDGE (157.xxx)
A4 (B8)	4	2008 → 2015	Normal	SI	156.359	● 120	● 120	● 120												
A4 (B9)	4	2016 → 2024	Normal	NO	156.356	● 113	● 120	● 120												
A4 Allroad (B8)	5	2009 → 2015	Railing	SI																
A4 Allroad (B9)	5	2016 → 2025	Railing	SI																
A4 SW (B5-B6)	5	1995 → 2004	Railing	SI																
A4 SW (B7)	5	2004 → 2008	Railing	SI																
A4 SW (B8)	5	2008 → 2015	Rails Int.	SI																
A4 SW (B9)	5	2015 → 2025	Rails Int.	SI																
A5 SW (B10)	5	2024 →	Rails Int.	SI																
A6 (C6)	4	2004 → 2011	Normal		156.310	● 120	● 120	● 120												
A6 Allroad (C5)	5	2000 → 2005	Railing	SI																
A6 Allroad (C6)	5	2006 → 2012	Railing	SI																
A6 Allroad (C7)	5	2012 → 2018	Railing	SI																
A6 SW (C4)	5	1994 → 1997	Railing	SI																
A6 SW (C5)	5	1998 → 2004	Railing	SI																
A6 SW (C6)	5	2005 → 2011	Rails Int.	SI																
A6 SW (C7)	5	2011 → 2018	Rails Int.	SI																
A6 SW (C8)	5	2018 → 2025	Rails Int.	SI																
A6 SW (C9)	5	2025 →	Rails Int.	SI																
E-Tron	5	2019 → 2023	Rails Int.	SI																
Q2 (GA)	5	2017 →	Normal	NO	156.340	● 120	● 120	● 120	078	078										
Q2 (GA)	5	2017 →	Normal	SI					078	078										
Q3 (8U)	5	2011 → 2018	Rails Int.	SI																
Q3 (F3)	5	2018 → 2025	Rails Int.	SI																
Q3 (F1)	5	2026 →	Rails Int.	SI																
Q3 Sportback	5	2019 → 2025	Normal	NV	156.396	● 126	● 126	● 126												
Q4	5	2021 →	Rails Int.	SI																
Q5 (8R)	5	2008 → 2017	Rails Int.	SI																
Q5 (FY)	5	2017 → 2025	Rails Int.	SI																
Q5 (8oA)	5	2025 →	Rails Int.	SI																
Q5 Sportback (FYT)	5	2021 → 2025	Normal	NV	156.385	● 120	● 120	● 126	036	036										
Q5 Sportback (FYT)	5	2021 → 2025	Rails Int.	SI																
Q6 E-Tron	5	2025 →	Rails Int.	SI																
Q7 (4L)	5	2006 → 2015	Rails Int.	SI																
Q8 (F1)	5	2018 →	Rails Int.	SI																
<b>Bmw</b>																				
Serie 1 (E87)	3-5	2004 → 2011	Fix Point	SI	156.103	● 107	● 107	● 107	003	003										
Serie 1 (F20)	3-5	2011 → 2019	Fix Point	SI	156.103	● 107	● 107	● 107	003	003										
Serie 1 (F40)	5	2019 → 2025	Fix Point	SI	156.126	● 107	● 107	● 107	091	091										
Serie 1 (F70)	5	2025 →	Fix Point	SI	156.126	● 107	● 107	● 107	091	091										
Serie 1 coupè (E82)	3	2007 → 2013	Fix Point	SI	156.103	● 107	● 113	● 113	003	003										
Serie 2 Active Tourer (F45)	5	2014 → 2021	Normal	SI	156.325	● 120	● 120	● 126	072	072										







Vettura	Porte	Anno	Tipo Tetto	Tetto Normal / Fix Point				Tetto Railing				Tetto Rails Int. - Railing Speciali															
				Componibile		Preassembl.		Componibile		Preassemblata		Componibile		Preassemblata													
				Kit	Piede 156.500	Original Traversa (Cm) 164.001	Rapido Traversa (Cm) 126	Acc 159.xxx	EVO 162.xxx	Alu	KIT	PIEDE 156.600	Traversa (Cm) 164.002	Acc 156.xxx	E.O. SW 156.xxx	Freeline (156.xxx)	TRAX (157.xxx)	Kit	Piede 156.601	Traversa (Cm)	QUICK 156.xxx	Freeline (156.xxx)	EDGE KIT	EDGE (157.xxx)			
C-Crosser	5	2007 → 2012	Railing	SI																							
Evasion	5	1994 → 2002	T-Profile	SI																							
Nemo	3-5	2008 → 2015	Fix Point	SI	156.102	●	126	●	007	007				156.406	●	126	830	930	930								
Nemo	3-5	2008 → 2017	Railing	SI											●	142	830	930	930								
Saxo	3	1996 → 2004	Normal						052	052																	
Saxo	5	1996 → 2005	Normal						025	025																	
Xantia	5	1993 → 1998	Normal						027	027																	
Xantia SW	5	1995 → 2001	T-Profile	SI							156.406	●	113	815	915												
XMI SW	5	1992 → 1999	Railing	SI								●	120	815	915	515	515	920									
Xsara	5	1997 → 2004	Normal																								
Xsara Picasso	5	1999 → 2010	Normal	NO	156.209	●	107	●	022	022																	
Xsara SW	5	1997 → 2004	T-Profile	SI							156.406	●	126	830	930												
ZX SW	5	1994 → 1999	Railing	SI								●	120	815	915	515	515	920									
<b>Cupra</b>																											
Ateca (KH)	5	2016 →	Railing	SI								●	120	830	930	515	515	935									
Formentor	5	2020 →	Railing	SI								●	113	815	915	515	515	920									
Leon (KL)	5	2020 →	Normal	NO					077	077																	
Leon SW (KL)	5	2020 →	Rails Int.	SI																						812	
Tavascan	5	2024 →	Normal	SI	163.227	●	126	●	084	084																	
Terramar	5	2024 →	Rails Int.	SI																						820	
<b>Dacia</b>																											
Bigster	5	2025 →	Railing	SI								●	126	830	930												
Dokker	3-5	2012 → 2021	Fix Point	SI	156.102	●	107	●	006	006																	
Dokker	3-5	2012 → 2021	Railing	SI								●	113	815	915	515	515	920									
Duster	5	2010 → 2013	Railing	SI							156.412	●	120	815	915	515	515										
Duster	5	2014 → 2017	Railing	SI																							
Duster	5	2018 → 2024	Railing	SI																							
Duster	5	2024 →	Railing	SI								●	126	830	930	530	935										
Jogger	5	2022 →	Railing	SI								●	120	815	915	920	920										
Lodgy	5	2012 → 2022	Rails Int.	SI																							
Logan	4	2004 → 2012	Fix Point	SI	156.353	●	113																				
Logan MCV	5	2013 → 2020	Railing	SI								●	113	815	915	515	515	920									
Logan SW	5	2007 → 2013	Railing	SI								●	107	815	915	515	515	920									
Logan SW	5	2013 → 2020	Railing	SI								●	113	815	915	915	920										
Sandero I	5	2008 → 2012	Fix Point	NV	156.353	●	107		053	053																	
Sandero II	5	2012 → 2020	Fix Point	NV	156.353	●	107		053	053																	
Sandero III	5	2021 →	Normal	NV	156.377	●	120	●	080	080																	
Sandero Stepway	5	2010 → 2012	Railing	SI								●	113	815	915	515	515	920									
Sandero Stepway II	5	2013 → 2020	Railing	SI								●	113	815	915	515	515	920									
Sandero Stepway III	5	2021 →	Railing	SI								●	113	815	915	515	515	920									

Veitura	Porte	Anno	Tipo Tetto	Tetto in Vetro	Tetto Normal / Fix Point				Tetto Railing				Tetto Rails Int. - Railing Speciali								
					Componibile		Preassembl.		Componibile		Preassemblata		Componibile		Preassemblata						
					Kit	Piede 156.500 Traversa (Cm)	Original Traversa (Cm)	Piede 164.001 Rapid Traversa (Cm)	Acc 159.xxx Alu 162.xxx	EVO	156.600 KIT	164.002 PIEDE	Traversa (Cm)	E.O. SW 156.xxx Acc Alu	FREE LINE (156.XXX)	TRAX (157.xxx)	KIT	156.601 Piede	Traversa (Cm)	QU/CK 156.xxx Acc Alu	FREE LINE (156.xxx)
<b>Daewoo</b>																					
Kalos	5	2002 → 2005	Normal																		
Lanos	5	1997 → 2005	Normal							057	057										
Matiz	5	1998 → 2007	Normal							023	023										
Matiz	5	1998 → 2005	Railing	SI						021	021										
Nubira SW	5	1997 → 2003	Railing	SI																	
Tacuma	5	2000 → 2005	Railing	SI																	
<b>Daihatsu</b>																					
Feroza	3	1988 → 2000	Railing	SI																	
Sirion	5	1998 → 2005	Normal							057	057										
Sirion II	5	2005 → 2016	Normal							033	033										
Terios	5	1997 → 2005	Normal							025	025										
Terios	5	1998 → 2005	Rails Int.	SI																	
Terios	5	2006 → 2016	Normal		156.306																
Terios	5	2006 → 2016	Railing	SI																	
<b>DFSK / Fengon</b>																					
E5	5	2025 →	Rails Int.	SI																	
Glory 580	5	2021 →	Rails Int.	SI																	
Glory 600	5	2025 →	Rails Int.	SI																	
<b>Dodge</b>																					
Journey	5	2008 → 2011	Railing	SI																	
<b>Donfeng</b>																					
008	5	2025 →	Rails Int.	SI																	
<b>DR</b>																					
2	5	2010 → 2014	Railing	SI																	
3	5	2018 →	Normal	SI						103	103										
4.0	5	2022 →	Railing	SI																	
5	5	2008 → 2016	Railing	SI																	
5.0	5	2020 →	Railing	SI																	
5.0	5	2024 →	Rails Int.	SI																	
6***	5	2017 → 2021	Rails Int.	SI																	
6.0	5	2021 →	Rails Int.	SI																	
7.0	5	2025 →	Rails Int.	SI																	
Collection 3	5	2025 →	Rails Int.	SI																	
Collection 5	5	2025 →	Rails Int.	SI																	
Collection 6	5	2025 →	Rails Int.	SI																	
Collection 7	5	2025 →	Rails Int.	SI																	
PK8	4	2022 →	Normal	NV						064	064										
Stilnovo 6	5	2025 →	Rails Int.	SI																	

\*\*\* Portata limitata a 50 KG

Veettura	Porte	Anno	Tipo Tetto	Tetto Normal / Fix Point										Tetto Railing										Tetto Rails Int. - Railing Speciali									
				Componibile					Preassembl.					Componibile					Preassemblata					Componibile					Preassemblata				
				Kit	Traversa (Cm) 156.500	Original	Piede 164.001	Rapido Traversa (Cm)	Acc 159.xxx	Alu 162.xxx	EVO	Traversa (Cm) 164.002	PIEDE 156.600	Traversa (Cm)	E.O. SW 156.xxx	Acc	Alu	Freeline (156.XXX)	TRAX (157.xxx)	KIT	Piede 156.601	Traversa (Cm)	QUICK 156.xxx	Acc	Alu	Freeline (156.xxx)	EDGE KIT	EDGE (157.xxx)					
<b>DS</b>																																	
3	3	2010 → 2019	Fix Point	SI	156.122	●	107	●	107	●	005	005	005																				
3	5	2018 →	Normal	NV	156.376	●	113	●	113	●	092	092	092																				
3	5	2018 →	Normal	NV	156.376	●	113	●	113	●	092	092	092																				
4	5	2011 → 2018	Normal	SI	156.250	●	120	●	120	●	065	065	065																				
4	5	2021 →	Normal	SI	156.393	●	120	●	120	●	110	110	110																				
4	5	2021 →	Rails Int.	SI																						820							
5	5	2012 → 2018	Normal	SI	156.283	●	120	●	126	●	065	065	065																				
7	5	2018 →	Rails Int.	SI																						812							
<b>EMC</b>																																	
Sei	5	2025 →	Railing	SI																													
Wave 3	5	2022 →	Railing	SI																													
<b>EVO</b>																																	
3	5	2022 →	Normal	NV							112	112	112																				
6	5	2025 →	Railing	SI																						812							
7	5	2025 →	Rails Int.	SI																						812							
Cross 4	4	2022 →	Normal	NV							064	064	064																				
Electric	5	2022 →	Normal	NV							112	112	112																				
Spazio	5	2025 →	Rails Int.	SI																						812							
<b>Fiat</b>																																	
500	3	2007 → 2024	Normal	SI	156.281	●	113	●	113	●	067	067	067																				
500	3	2025 →	Normal	NV	156.391	●	113	●	113	●	105	105	105																				
500 e	3	2020 →	Normal	NV	156.391	●	113	●	113	●	105	105	105																				
500 L	5	2012 → 2023	Normal	SI	156.276	●	126	●	142	●	065	065	065																				
500 L Living	5	2013 → 2020	Normal	SI	156.276	●	126	●	142	●	065	065	065																				
500 X ***	5	2015 → 2024	Normal	NO	156.330	●	120	●	120	●	083	083	083																				
500 X ***	5	2015 → 2024	Normal	SI							083	083	083																				
500 X	5	2015 → 2024	Rails Int.	SI																													
600	5	2025 →	Normal	NV	163.231	●	113	●	120	●																							
Bravo II	5	2007 → 2014	Normal	SI	156.221	●	120	●	126	●	065	065	065																				
Cinquecento	3	1991 → 1998	Normal								046	046	046																				
Croma II	5	2005 → 2010	Fix Point	SI	156.116	●	107	●	113	●																							
Croma II	5	2005 → 2010	Railing	SI																													
Doblò I	3-5	2000 → 2010	Fix Point	SI	156.102	●	120	●	120	●	007	007	007																				
Doblò II	5	2010 → 2022	Railing	SI																													
Doblò III	3-5	2022 →	Railing	SI																													
Doblò III	5	2024 →	Rails Int.	SI																													
Doblò Malibù	5	2001 → 2010	Railing	SI																													
Fiorino (Railing piccoli)	5	2008 → 2024	Railing	SI																													
Fiorino	3-5	1987 → 2001	Fix Point	SI	156.102	●	113	●	113	●	002	002	002																				
Fiorino	3-5	2008 → 2024	Fix Point	SI	156.102	●	126	●	142	●	007	007	007																				

\*\*\* Portata limitata a 50 KG

Vettura	Porte	Anno	Tipo Tetto	Tetto Normal/ Fix Point				Tetto Railing				Tetto Rails Int. - Railing Speciali							
				Componibile		Preassembl.		Componibile		Preassemblata		Componibile		Preassemblata					
				Kit	Original Traversa (Cm) Piede 156.500	Rapido Traversa (Cm) Piede 164.001	EVO Acc 159.xxx Alu 162.xxx	KIT	PIEDE 156.600 164.002	Traversa (Cm)	E.O. SW 156.xxx Acc Alu	FREE LINE (156.xxx)	TRAX (157.xxx)	KIT	Piede 156.601	Traversa (Cm)	QUICK 156.xxx Acc Alu	FREE LINE (156.xxx)	EDGE KIT
Freemont	5	2011 → 2016	Railing	SI															
Fullback Double Cab	4	2016 → 2018	Fix Point	SI	156.125	● 107	● 113	086	086	● 120	830	930	530	935					
Fullback Single Cab	2	2016 → 2018	Fix Point	SI	156.125	● 107	● 113	086	086										
Grande Panda	5	2025 →	Normal	NV	163.233	● 120	● 120	114	114										
Grande Panda	5	2025 →	Railing	SI						● 113	815	915	515	920					
Grande Punto \ P. Evo	3	2005 → 2018	Normal	SI	156.251	● 107	● 113	056	056										
Grande Punto \ P. Evo	5	2005 → 2018	Normal	SI	156.215	● 107	● 113	019	019										
Idea	5	2004 → 2012	Fix Point	NO	156.117	● 107	● 113	017	017										
Idea	5	2004 → 2012	Railing	SI						● 120	815	915	515	920					
Marea WeekEnd	5	1997 → 2007	Railing	SI						● 107	815	915	515	920					
Marengo	5	1997 → 2007	Railing	SI						● 120	815	915	515	920					
Multipla	5	1999 → 2010	Fix Point	SI	156.119	● 142	● 142												
Pallio WeekEnd	5	1996 → 2007	Railing	SI						● 107	815	915	515	920					
Panda I	3	1979 → 2003	Normal					060	060										
Panda I	3	1999 → 2003	Railing	SI						● 113	815	915	530	920					
Panda II	5	2003 → 2012	Fix Point	SI	156.318	● 113	● 113	058	058										
Panda II	5	2003 → 2012	Railing	SI						● 120	830	930	530	935					
Panda III	5	2012 →	Fix Point	SI	156.124	● 107	● 107	011	011										
Panda III	5	2012 →	Rails Int.	SI						156.419	● 120	830	930						812
Panda III Cross	5	2014 →	Railing	SI						● 120	815	915	515	920					812
Panda III Cross	5	2018 →	Rails Int.	SI															812
Pandina	5	2024 →	Rails Int.	SI															812
Punto I	3	1993 → 1999	Normal					015	015										
Punto I	5	1993 → 1999	Normal					020	020										
Punto II	3	1999 → 2010	Normal		156.203	● 107	● 113	039	039										
Punto II	5	1999 → 2010	Normal		156.204	● 107	● 107	031	031										
Punto III	5	2012 → 2018	Normal	SI	156.215	● 107	● 113	019	019										
Qubo	3-5	2008 → 2024	Fix Point	SI	156.102	● 126	● 142	007	007										
Qubo	5	2008 → 2024	Railing	SI						156.411	● 142	830	930	530					
Regata	5	1984 → 1991	Railing	SI						● 142	830	930	530	935					
Sedici	5	2006 → 2014	Railing	SI						● 120	830	930	515	935					
Seicento	3	1998 → 2010	Normal					046	046										
Stilo	3-5	2001 → 2007	Fix Point	SI	156.111	● 113	● 113	017	017										
Stilo SW	5	2001 → 2010	Railing	SI						● 126	830	930	530	935					
Tempra	4	1990 → 1996	Normal					020	020										
Tempra SW	5	1990 → 1997	Railing	SI						● 107	815	915	515	920					
Tipo	3-5	1988 → 1995	Normal																
Tipo	5	2016 →	Normal		156.369	● 113	● 120	076	076										
Tipo Berlina	4	2015 →	Normal		156.368	● 113	● 120	076	076										
Tipo Cross	5	2021 →	Rails Int.	SI															
Tipo SW	5	2016 →	Rails Int.	SI															
															156.657	● 107	857	957	715
															156.651	● 107	857	957	715

Vettura	Porte	Anno	Tipo Tetto	Tetto Normal / Fix Point				Tetto Railing				Tetto Rails Int. - Railing Speciali								
				Componibile		Preassembl.		Componibile		Preassemblata		Componibile		Preassemblata						
				Kit	Traversa (Cm) Piede 156.500	Traversa (Cm) Piede 164.001	Traversa (Cm) Rapido	Acc 159.xxx	Alu 162.xxx	KIT	PIEDE 156.600	Traversa (Cm) 164.002	Acc 156.xxx	Alu 156.xxx	KIT	PIEDE 156.601	Traversa (Cm)	Acc 156.xxx	Alu 156.xxx	EDGE KIT
Ulysse I	5	1994 → 2002	T-Profile	SI																
Ulysse II	5	2002 → 2010	Normal	SI	156.304	●	142	●	142											
Ulysse II	5	2002 → 2010	T-Profile	SI																
Uno	5	1984 → 1995	Railing	SI																
<b>Ford</b>																				
B-Max	5	2012 → 2018	Normal	SI																
Capri	5	2025 →	Normal	NO	163.232	●	120	●	126											
C-Max 7	5	2010 → 2019	Railing	SI																
C-Max I	3-5	2003 → 2010	Fix Point	SI	156.114	●	113	●	113	014	014									
C-Max II	5	2010 → 2019	Normal	SI	156.247	●	126	●	142	084	084									
Connect	3-5	2002 → 2012	Fix Point	SI	156.102	●	107	●	113	002	002									
Connect (Tourneo)	5	2014 → 2021	Rails Int.	SI																
Connect (Grand Tourneo)	5	2014 → 2021	Rails Int.	SI																
Connect (Tourneo)	3-5	2022 →	Fix Point	SI	156.102	●	120	●	120											
Connect (Tourneo)	5	2022 →	Railing	SI																
Connect (Transit)	3-5	2022 →	Fix Point	SI	156.102	●	120	●	120											
Connect (Transit)	5	2014 → 2021	Rails Int.	SI																
Courier (Tourneo)	3-5	2013 → 2023	Railing	SI																
Courier (Tourneo)	3-5	2014 → 2023	Fix Point	SI	156.326	●	113	●	113											
Courier (Tourneo)	3-5	2024 →	Fix Point	NO	156.102	●	120	●	120											
Courier (Tourneo)	3-5	2024 →	Railing	SI																
Courier (Transit)	3-5	2014 → 2023	Fix Point	SI	156.326	●	113	●	113											
Courier (Transit)	3-5	2024 →	Fix Point	NO	156.102	●	120	●	120											
Ecosport (no rails)	5	2012 → 2023	Normal	NV	163.206	●	113	●	120	036	036									
Edge	5	2016 → 2022	Rails Int.	SI																
Escort	4	1990 → 1999	Normal	SI																
Escort SW	5	1993 → 2000	Railing	SI																
Fiesta III	3	1989 → 1995	Fix Point	SI																
Fiesta IV	3	1995 → 2002	Fix Point	SI																
Fiesta IV	5	1995 → 2002	Normal	SI																
Fiesta V	3	2002 → 2008	Normal	SI																
Fiesta V	5	2002 → 2008	Normal	SI	156.267	●	113	●	113	055	055									
Fiesta VI	5	2008 → 2017	Normal	SI	156.234	●	113	●	113	055	055									
Fiesta VII	5	2018 → 2024	Normal	NO	156.351	●	113	●	113	036	036									
Fiesta VII	5	2018 → 2024	Normal	SI																
Fiesta VII Active	5	2018 → 2024	Rails Int.	SI																
Focus I	5	1998 → 2004	Normal	SI																
Focus I SW	5	1999 → 2004	Railing	SI																
Focus II	3-5	2004 → 2011	Fix Point	SI	156.114	●	113	●	113	014	014									
Focus II SW	5	2004 → 2011	Fix Point	SI	156.114	●	113	●	113	014	014									
Focus II SW	5	2004 → 2011	Railing	SI																
Focus II SW	5	2004 → 2011	T-Profile	SI																

Vettura	Porte	Anno	Tipo Tetto	Tetto Normal / Fix Point				Tetto Railing				Tetto Rails Int. - Railing Special															
				Componibile		Preassembl.		Componibile		Preassemblata		Componibile		Preassemblata													
				Kit	Original Traversa (Cm)	Piede 164.001	Rapido Traversa (Cm)	Acc 159.xxx	Alu 162.xxx	KIT	PIEDE 156.600	Traversa (Cm)	E.O. SW 156.xxx	Acc Alu	Alu	Alu	QUICK 156.xxx	Traversa (Cm)	Piede 156.601	KIT	QUICK 156.xxx	Traversa (Cm)	Alu	Alu	EDGE KIT	EDGE (157.xxx)	
Focus III	5	2011 → 2018	Normal	156.263	● 120	● 120	● 120	068	068																		
Focus III SW	5	2011 → 2018	Normal	156.263	● 120	● 120	● 120																				
Focus III SW	5	2011 → 2018	Rails Int. SI					080	080	156.414	● 120	830	930													812	
Focus IV	5	2018 →	Normal SI																								
Focus IV Active	5	2019 →	Rails Int. SI																								812
Focus IV SW	5	2018 →	Rails Int. SI																								812
Fusion	5	2002 → 2012	Normal	156.305	● 113	● 120	● 120	055	055																		
Galaxy	5	1995 → 2005	Railing SI																								
Galaxy	5	2006 → 2010	T-Profile SI							156.406	● 126	830	930														
Galaxy	5	2010 → 2015	Rails Int. SI																								
Galaxy	5	2015 → 2023	Rails Int. SI																								812
KA+	5	2016 → 2019	Normal NV					044	044																		
Kat+ Active	5	2018 → 2019	Railing SI																								
Kuga	5	2008 → 2013	Railing SI																								
Kuga	5	2013 → 2020	Normal SI	156.332	● 126	● 142	● 142																				
Kuga	5	2013 → 2020	Railing SI																								
Kuga	5	2020 →	Rails Int. SI																								820
Mondeo	4	2007 → 2014	Normal	156.223	● 120	● 126	● 126																				
Mondeo SW	5	1993 → 2000	Railing SI																								
Mondeo SW	5	2001 → 2007	Railing SI																								
Mondeo SW	5	2007 → 2014	Railing SI																								
Mondeo SW	5	2012 → 2014	Rails Int. SI																								812
Mondeo SW	5	2014 → 2022	Rails Int. SI							156.414	● 126	830	930														812
Puma	5	2020 →	Normal NV	156.378	● 113	● 120	● 120	090	090																		
Puma	5	2020 →	Rails Int. SI																								
Ranger	4	2012 → 2015	Railing SI																								
Ranger	4	2016 →	Railing SI																								
Sierra II	5	1987 → 1993	Fix Point SI					028	028																		
S-Max	5	2006 → 2015	Fix Point SI	156.118	● 126	● 126	● 126																				
S-Max	5	2015 → 2023	Normal NO	156.335	● 142	● 142	● 142																				
S-Max	5	2015 → 2023	Rails Int. SI																								820
<b>Forthing</b>																											
Friday	5	2024 →	Railing SI																								812
U-Tour	5	2024 →	Rails Int. SI																								812
<b>Foton</b>																											
Tunland V9	4	2025 →	Railing SI																								
<b>Honda</b>																											
Accord SW (CE)	5	1994 → 1997	Railing SI																								
Accord SW (CF-CM)	5	1998 → 2009	Railing SI																								
Accord SW (CW)	5	2010 → 2015	Railing SI																								
Civic (FN)	5	2006 → 2012	Normal NO	156.284	● 113	● 113	● 113	035	035																		
Civic (FN)	5	2006 → 2012	Normal SI																								



Vettura	Porte	Anno	Tipo Tetto	Tetto Normal/ Fix Point				Tetto Railing				Tetto Rails Int. - Railing Speciali							
				Componibile		Preassembl.		Componibile		Preassemblata		Componibile		Preassemblata					
				Kit	Piede 156.500 Traversa (Cm) 164.001	Rapido Traversa (Cm) 162.xxx	EVO Acc 159.xxx Alu 162.xxx	KIT	PIEDE 156.600 164.002	Traversa (Cm) 164.002	E.O. SW 156.xxx Acc Alu	FREE LINE (156.XXX)	TRAX (157.xxx)	KIT	Piede 156.601	Traversa (Cm)	QUICK 156.xxx Acc Alu	FREE LINE (156.xxx)	EDGE KIT
Kona	5	2017 → 2023	Rails Int. SI																
Matrix (FC)	5	2001 → 2010	Railing SI																
Santa Fe (SM)	5	2000 → 2005	Railing SI																
Santa Fe (CW)	5	2006 → 2012	Railing SI																
Santa Fe (DM)	5	2013 → 2018	Rails Int. SI																
Santa Fe	5	2024 →	Railing SI																
Terracan (HP)	5	2001 → 2007	Railing SI																
Traject (FO)	5	2000 → 2008	Railing SI																
Tucson (JM)	5	2004 → 2009	Railing SI																
Tucson (TL)***	5	2015 → 2017	Rails Int. SI																
<b>ICH-X</b>																			
K3	5	2025 →	Railing SI																
<b>Infiniti</b>																			
EX	5	2008 → 2013	Railing SI																
EX30D	5	2012 → 2014	Railing SI																
FX	5	2009 → 2014	Railing SI																
QX30	5	2016 → 2019	Rails Int. SI																
QX70	5	2013 → 2017	Railing SI																
QX70	5	2017 → 2019	Railing SI																
<b>Isuzu</b>																			
D-Max	4	2012 → 2019	Railing SI																
<b>Jaecoo</b>																			
5	5	2025 →	Rails Int. SI																
7	5	2024 →	Rails Int. SI																
<b>Jaguar</b>																			
E-Pace (X540)	5	2017 →	Normal NV																
E-Pace (X540)	5	2017 →	Rails Int. SI																
F-Pace (X761)	5	2016 →	Rails Int. SI																
XF SW (X250)	5	2012 → 2016	Rails Int. SI																
X-Type SW	5	2003 → 2009	Railing SI																
<b>Jeep</b>																			
Avenger	5	2023 →	Normal NV																
Avenger	5	2023 →	Railing SI																
Cherokee (XJ)	5	1984 → 2001	T-Profile SI																
Cherokee (KJ)	5	2001 → 2008	Railing SI																
Cherokee (KK)	5	2008 → 2013	Railing SI																
Cherokee (KL)	5	2013 → 2023	Railing SI																
Compass (MP)	5	2017 → 2025	Rails Int. SI																
Grand Cherokee (ZJ)	5	1992 → 1998	Railing SI																
Grand Cherokee (WJ)	5	1999 → 2004	Railing SI																
Grand Cherokee (WK)	5	2005 → 2011	Railing SI																

\*\*\* Portata limitata a 50 KG







Veitura	Porte	Anno	Tipo Tetto	Tetto Normal/ Fix Point				Tetto Railing				Tetto Rails Int. - Railing Speciali							
				Componibile		Preassembl.		Componibile		Preassemblata		Componibile		Preassemblata					
				Kit	Piede 156.500 Traversa (Cm) Original	Piede 164.001 Traversa (Cm) Rapido	Acc 159.xxx Alu 162.xxx EVO	KIT	PIEDE 156.600 Traversa (Cm)	E.O. SW 156.xxx Acc Alu	FREELINE (156.XXX) TRAX (157.xxx)	KIT	PIEDE 156.601 Traversa (Cm)	QUICK 156.xxx Acc Alu	FREELINE (156.xxx) EDGE KIT	EDGE (157.xxx)			
Citan (W415)	3-5	2012 → 2021	Fix Point	SI	156.102	● 113	● 113	002	002										
Citan (W420)	3-5	2022 →	Fix Point	NV	156.102	● 107	● 113	006	006										
CLA (C117)	4	2013 → 2019	Fix Point	SI	156.115	● 107	● 107	012	012										
CLA Shooting Brake (X117)	5	2015 → 2019	Fix Point	SI	156.115	● 107	● 113	012	012										
CLA Shooting Brake (X118)	5	2019 →	Fix Point	SI	156.115	● 107	● 113	012	012										
Classe A (W168)	5	1997 → 2004	Normal		156.228	● 107	● 113	059	059										
Classe A (W169)	3-5	2004 → 2012	Fix Point	SI	156.113	● 113	● 113	013	013										
Classe A (W176)	5	2012 → 2018	Fix Point	SI	156.115	● 107	● 113	012	012										
Classe A (W177)	5	2018 →	Fix Point	SI	156.115	● 107	● 113	012	012										
Classe A Sedan (V177)	4	2019 →	Fix Point	SI	156.131	● 107	● 113	099	099										
Classe B (W245)	5	2005 → 2011	Fix Point	SI	156.113	● 113	● 113	013	013										
Classe B (W246)	5	2011 → 2018	Fix Point	SI	156.115	● 113	● 113	042	042										
Classe B (W247)	5	2019 →	Fix Point	SI	156.115	● 113	● 120	042	042										
Classe C (W202)	4	1993 → 2000	Normal					024	024										
Classe C (W203)	4	2000 → 2007	Normal					024	024										
Classe C (W204)	4	2007 → 2013	Fix Point	SI	156.106	● 113	● 113	042	042										
Classe C (W205)	4	2014 → 2021	Fix Point	SI	156.106	● 113	● 113	042	042										
Classe C Coupè (C204)	2	2011 → 2015	Fix Point	SI	156.106	● 107	● 107	012	012										
Classe C Coupè (C205)	2	2016 → 2021	Fix Point	SI	156.106	● 107	● 113	012	012										
Classe C SW (S202)	5	1993 → 2000	Railing	SI						● 120	815	915	515	920					
Classe C SW (S203)	5	2007 → 2007	Railing	SI						● 113	815	915	515	920					
Classe C SW (S204)	5	2007 → 2014	Railing	SI						● 120	815	915	515	920					
Classe C SW (S205)	5	2015 → 2021	Rails Int.	SI						● 120	815	915	515	920					
Classe C SW (S206)	5	2021 →	Rails Int.	SI											● 107	857	957	715	812
Classe E (W210)	4	1995 → 2002	Normal												● 107	857	957	730	812
Classe E (W211)	4	2002 → 2009	Fix Point	SI	156.112	● 113	● 120	024	024										
Classe E (W212)	4	2009 → 2016	Fix Point	SI	156.106	● 113	● 120	042	042										
Classe E Coupè (C207)	2	2009 → 2016	Fix Point	SI	156.106	● 107	● 107	012	012										
Classe E SW (S124)	5	1985 → 1995	Railing	SI						● 120	830	930	930	935					
Classe E SW (S210)	5	1996 → 2002	Railing	SI						● 120	815	915	515	920					
Classe E SW (S211)	5	2002 → 2009	Railing	SI						● 120	815	915	530	920					
Classe E SW (S212)	5	2009 → 2016	Railing	SI						● 126	830	930	515	935					
Classe E SW (S213)	5	2017 → 2023	Rails Int.	SI											● 107	857	957	730	812
Classe E SW (S214)	5	2024 →	Rails Int.	SI											● 107	857	957	730	812
Classe R (W251)	5	2005 → 2013	Fix Point	SI	156.106	● 120	● 120												
Classe S (W221)	4	2005 → 2013	Fix Point	SI	156.106	● 120	● 120												
Classe X (470)	5	2017 → 2020	Railing	SI						● 120	815	915	515	920					
CLS (C218)	4	2010 → 2018	Fix Point	SI	156.106	● 120	● 126												
CLS (C219)	4	2004 → 2010	Fix Point	SI	156.106	● 120	● 126												
CLS Shooting Brake (X218)	5	2011 → 2018	Fix Point	SI	156.106	● 120	● 126												
EQA (H243)	5	2022 →	Rails Int.	SI											● 107	857	957	730	812
EQB (X243)	5	2021 →	Railing	SI						● 126	830	930	515	935					

Veitura	Porte	Anno	Tipo Tetto	Tetto Normal / Fix Point				Tetto Railing				Tetto Rails Int. - Railing Speciali								
				Componibile		Preassembl.		Componibile		Preassemblata		Componibile		Preassemblata						
				Kit	Piede 156.500	Original Traversa (cm) 164.001	Rapido Traversa (cm) 164.001	EVO Acc 159.xxx 162.xxx Alu	PIEDE 156.600	Traversa (cm) 164.002	E.O. SW 156.xxx Acc Alu	FREE LINE (156.XXX)	TRAX (157.XXX)	KIT	Piede 156.601	Traversa (cm)	QUICK 156.xxx Acc Alu	FREE LINE (156.xxx)	EDGE KIT	EDGE (157.xxx)
GL (X164)	5	2006 → 2015	Railing	SI																
GLA (X156)	5	2014 → 2020	Rails Int.	SI																812
GLA (H247)	5	2020 →	Rails Int.	SI																812
GLB (X247)	5	2020 →	Railing	SI																
GLC (X253)	5	2015 → 2021	Rails Int.	SI																812
GLC (X254)	5	2022 →	Rails Int.	SI																812
GLC Coupè (C253)	5	2015 → 2023	Fix Point	SI	156.106	•	120	•	126											
GLE (W166)	5	2015 → 2019	Railing	SI																
GLE (V167)	5	2019 →	Railing	SI																
GLE Coupè (C292)	5	2015 → 2019	Fix Point	SI	156.115	•	126	•	142											
GLK (X204)	5	2008 → 2015	Railing	SI																
GLS (X166)	5	2016 → 2019	Railing	SI																
ML (W163)	5	1997 → 2005	Railing	SI																
ML (W164)	5	2005 → 2011	Railing	SI																
ML (W166)	5	2011 → 2015	Railing	SI																
Vaneo (W414)	5	2002 → 2005	Railing	SI																
Viano (W639)	3-5	2003 → 2013	Railing	SI																
Vito (W638)	3-5	1996 → 2003	Railing	SI																
Vito (W638)	3-5	1996 → 2003	T-Profile	SI																
Vito (W639)	5	2003 → 2013	Railing	SI																
<b>MG</b>																				
4	5	2022 →	Normal	NV	163.205	•	120	•	120	064	064									
5	5	2020 →	Railing	SI																
HS	5	2018 → 2024	Rails Int.	SI																812
HS	5	2024 →	Rails Int.	SI																812
S5	5	2025 →	Rails Int.	SI																812
ZS	5	2017 → 2024	Railing	SI																812
ZS	5	2024 →	Rails Int.	SI																812
ZT-T SW	5	2002 → 2005	Railing	SI																
<b>Mini</b>																				
Aceman (J05)	5	2024 →	Rails Int.	SI																812
Clubman (R55)	5	2009 → 2014	Railing	SI																
Clubman (F54) ***	5	2015 → 2024	Normal	SI	156.342	•	120	•	126	036	036									
Clubman (F54)	5	2016 → 2024	Rails Int.	SI																812
Cooper (F55-F56) ***	5	2014 → 2024	Normal	SI	156.342	•	113	•	120											
Cooper (F55-F56)	3-5	2014 → 2024	Rails Int.	SI																812
Countryman (R60)	5	2010 → 2017	Rails Int.	SI																812
Countryman (F60)	5	2017 → 2023	Railing	SI																812
Countryman (U25)	5	2024 →	Rails Int.	SI																812
Paceman (R61)	3	2013 → 2017	Rails Int.	SI																812

\*\*\* Portata limitata a 50 KG



Vettura	Porte	Anno	Tipo Tetto	Tetto Normal / Fix Point				Tetto Railing				Tetto Rails Int. - Railing Speciali											
				Componibile		Preassembl.		Componibile		Preassemblata		Componibile		Preassemblata									
				Kit	Piede Traversa (cm)	Rapido Traversa (cm)	EVO Alu Acc 159.xxx 162.xxx	KIT	PIEDE 156.600 164.002	Traversa (cm)	E.O. SW 156.xxx Alu	FRÉELINE (156.XXX)	TRAX (157.xxx)	KIT	Piede 156.601	Traversa (cm)	QUICK 156.xxx Acc Alu	FRÉELINE (156.xxx)	EDGE KIT (157.xxx)				
Micra (K11)	3	1992 → 2003	Normal																				
Micra (K11)	5	1992 → 2003	Normal																				
Micra (K13)	5	2010 → 2017	Normal	SI																			
Micra (K14)	5	2017 → 2024	Normal		156.324	●	113	●	113	094	094												
Murano (Z51)	5	2005 → 2014	Railing	SI								●	126	830	930	530	935						
Navara (D40)	4	2004 → 2015	Railing	SI								●	120	830	930	515	935						
Navara (D23)	4	2016 →	Railing	SI								●	120	815	915	515	920						
Note (E11)	5	2004 → 2014	Normal	SI						035	035												
Note (E12)	5	2012 → 2020	Normal	NO	156.306	●	120	●	120														
NV250	3-5	2009 → 2021	Fix Point	SI	156.102	●	113	●	113	002	002												
Patfinder (R52)	5	2014 → 2021	Railing	SI								●	142	830	930	530	935						
Patrol (Y61)	5	1998 → 2010	Railing	SI								●	142		530								
Pixo (UA0)	5	2009 → 2014	Normal	NO						033	033												
Primer (P10)	5	1990 → 1996	Normal							021	021												
Primer SW (P10-P11-P12)	5	1991 → 2007	Railing	SI								●	120	815	915	515	920						
Pulsar (C13)	5	2014 → 2018	Normal		156.324	●	120	●	120														
Qashqai (J10)	5	2007 → 2014	Normal	NO	156.235	●	120	●	126														
Qashqai (J10)	5	2007 → 2014	Railing	SI								●	126	830	930	515	935						
Qashqai (J11)	5	2014 → 2021	Normal	NV	156.312	●	126	●	126	084	084												
Qashqai (J11)	5	2014 → 2021	Railing	SI								●	126	830	930	530	935	812					
Qashqai (J12) ***	5	2021 →	Rails Int.	SI														820					
Qashqai (J12)	5	2021 →	Normal	NV	163.212	●	126	●	142														
Qashqai+2 (J10)	5	2007 → 2014	Railing	SI								●	126	830	930	530	935						
Terrano (WD21)	5	1986 → 1996	Railing	SI								●	120	830	930								
Terrano (R20)	5	1993 → 2006	Railing	SI								●	120	815	915	515	920						
Townstar	3-5	2022 →	Fix Point	NV	156.102	●	107	●	113	006	006												
X-Trail (T30-T31)	5	2001 → 2014	T-Profile	SI								156.406	●	142	830	930							
X-Trail (T32)	5	2014 → 2021	Railing	SI								●	120	815	915	515	920						
X-Trail (T33)	5	2022 →	Fix Point	SI	156.132	●	107	●	107	111	111												
<b>Omada</b>																							
7	5	2025 →	Rails Int.	SI													●	113	865	965	730	820	
<b>Opel</b>																							
Adam	3	2013 → 2019	Fix Point	SI	156.222	●	107	●	107	069	069												
Agila A	5	2000 → 2008	Railing	SI								●	120	815	915	515	920						
Agila B	5	2008 → 2015	Normal	SI	156.237	●	107	●	113														
Antara	5	2006 → 2015	Railing	SI								●	113	815	915	515	920						
Astra F	3-5	1991 → 1998	Fix Point	SI	156.213	●	107	●	107	028	028												
Astra F SW	5	1991 → 1998	Railing	SI								●	107	815	915	515	920						
Astra G	3-5	1998 → 2004	Fix Point	SI	156.213	●	107	●	107	028	028												
Astra G SW	5	1998 → 2004	Fix Point	SI	156.213	●	107	●	107	028	028												
Astra G SW	5	1998 → 2004	Railing	SI								●	107	815	915	515	920						

\*\*\* Portata limitata a 50 KG

Vettura	Porte	Anno	Tipo Tetto	Tetto Normal / Fix Point				Tetto Railing				Tetto Rails Int. - Railing Speciali									
				Componibile		Preassembl.		Componibile		Preassemblata		Componibile		Preassemblata							
				Kit	Original Traversa (156.500) (Cm)	Piede 164.001 Traversa (Cm)	Rapido Traversa (Cm)	Acc 159.xxx 162.xxx Alu	EVO	KIT	PIEDE 156.600 164.002 Traversa (Cm)	E.O. SW 156.xxx Alu	FREELINE (156.XXX)	TRAX (157.xxx)	KIT	156.601 Piede Traversa (Cm)	QUICK 156.xxx Acc	Alu	FREELINE (156.xxx)	EDGE KIT	EDGE (157.xxx)
Astra H	3	2004 → 2011	Fix Point	SI	156.107	●	107	●	107	047	047										
Astra H	5	2004 → 2011	Fix Point	SI	156.107	●	107	●	107	047	047										
Astra H SW	5	2004 → 2011	Fix Point	SI	156.107	●	107	●	107	047	047										
Astra H SW*	5	2004 → 2007	Rails Int.	SI								156.402	●	113	815	915					
Astra H SW**	5	2007 → 2011	Rails Int.	SI								156.409	●	113	815	915					812
Astra J	3-5	2009 → 2015	Fix Point	SI	156.222	●	107	●	107	070	070										
Astra J Berlina	4	2012 → 2018	Fix Point	SI	156.222	●	107	●	107	070	070										
Astra J SW	5	2010 → 2015	Rails Int.	SI								156.405	●	113	815	915					812
Astra K	5	2015 → 2021	Normal	SI	156.328	●	120	●	120	065	065										
Calibra	3	1990 → 1997	Fix Point	SI	156.213	●	107	●	107	028	028										
Combo C	3	2001 → 2012	Fix Point	SI	156.102	●	113	●	113	002	002										
Combo D	5	2012 → 2018	Railing	SI																	
Combo E	3-5	2018 →	Railing	SI																	
Corsa B	3-5	1993 → 2000	Fix Point	SI	156.213	●	107	●	107	028	028										
Corsa B SW	5	1993 → 2000	Railing	SI																	
Corsa C	3-5	2000 → 2006	Fix Point	SI	156.213	●	107	●	107	028	028										
Corsa D	3-5	2006 → 2015	Fix Point	SI	156.222	●	107	●	113	069	069										
Corsa E	3-5	2015 → 2019	Fix Point	SI	156.222	●	107	●	113	069	069										
Corsa F	5	2019 →	Normal	NV	156.371	●	113	●	120	075	075										
Crossland X	5	2017 → 2024	Normal	NO	156.348	●	120	●	120	065	065										
Crossland X	5	2017 → 2024	Rails Int.	SI																	
Frontera	5	1991 → 2004	Railing	SI																	
Frontera	5	2025 →	Normal	NV	163.229	●	113	●	120	084	084										
Frontera	5	2025 →	Rails Int.	SI																	
Grandland	5	2025 →	Normal	NV	163.230	●	120	●	126	080	080										
Grandland X	5	2017 → 2024	Normal	NV	156.365	●	120	●	126	075	075										
Grandland X	5	2017 → 2024	Rails Int.	SI																	
Insignia A	4	2008 → 2017	Normal	SI	156.287	●	126	●	126	065	065										812
Insignia A SW	5	2009 → 2017	Rails Int.	SI								156.407	●	126	830	930					812
Insignia B SW	5	2017 → 2023	Rails Int.	SI																	812
Kadett E	3-5	1984 → 1991	Fix Point	SI	156.213	●	120	●	120	028	028										
Kadett E SW	5	1984 → 1991	Railing	SI																	
Karl Rocks	5	2017 → 2019	Railing	SI																	
Meriva A	5	2003 → 2010	Fix Point	SI	156.222	●	107	●	107	069	069										
Meriva B	5	2010 → 2017	Fix Point	SI	156.222	●	113	●	113	069	069										
Mokka \ Mokka X	5	2013 → 2021	Rails Int.	SI																	
Mokka	5	2021 →	Normal	NV	156.394	●	113	●	113												812
Omega A SW	5	1986 → 1994	Railing	SI																	
Omega B SW	5	1994 → 2006	Railing	SI																	
Signum	5	2003 → 2008	Fix Point	SI	156.222	●	120	●	126												
Signum	5	2003 → 2008	Rails Int.	SI								156.402	●	126	830	930					

\* Rail int. con due bugne quadre in rilievo - \*\* Rail int. con due fori tondi in basso fondo

Vettura	Porte	Anno	Tipo Tetto	Tetto Normal / Fix Point				Tetto Railing				Tetto Rails Int. - Railing Speciali											
				Componibile		Preassembl.		Componibile		Preassemblata		Componibile		Preassemblata									
				Kit	Piede 156.500	Original Traversa (Cm)	Rapido Traversa (Cm)	Acc 159.xxx	Alu 162.xxx	EVO	Kit	PIEDE 156.600	164.002	Traversa (Cm)	E.O. SW 156.xxx	Acc	Alu	QUICK 156.xxx	Alu	FREELINE (156.xxx)	EDGE KIT	EDGE (157.xxx)	
Sintra	5	1996 → 1999	Railing	SI																			
Tigra A	3	1994 → 2000	Fix Point	SI	156.213	●	107	●	107	028	028												
Vectra B SW	5	1996 → 2003	Railing	SI																			
Vectra C	4	2002 → 2008	Fix Point	SI	156.222	●	113	●	120														
Vectra CSW	5	2002 → 2008	Rails Int.	SI								156.402	●	126	830	930							
Zafira A	5	1999 → 2005	Railing	SI									●	113	815	915	515	920					
Zafira B *	5	2005 → 2007	Rails Int.	SI								156.402	●	126	830	930							
Zafira B **	5	2007 → 2014	Rails Int.	SI								156.409	●	120	830	930							
Zafira B Cosmo	5	2007 → 2011	Fix Point	SI	156.107	●	113	●	113	014	014											812	
Zafira C (Tourer)	5	2011 → 2018	Fix Point	SI	156.222	●	113	●	113	069	069												
Zafira C (Tourer)	5	2011 → 2018	Rails Int.	SI								156.405	●	126	830	930						812	
<b>Peugeot</b>																							
1007	3	2005 → 2010	Normal		156.269	●	120	●	126														
1007	3	2005 → 2010	Railing	SI									●	126	830	930	530	935					
106	3	1991 → 2003	Normal							052	052												
106	5	1991 → 2003	Normal							025	025												
107	5	2005 → 2014	Normal	SI						049	049												
108	5	2014 → 2021	Normal	NO	156.366	●	107	●	113	059	059												
108	5	2014 → 2021	Normal	SI						059	059												
2008	5	2013 → 2019	Railing	SI									●	113	815	915	515	920					
2008	5	2020 → 1998	Normal	NV	156.387	●	113	●	113	092	092												
205	5	1983 → 1998	Normal							025	025												
206	5	1998 → 2012	Normal		156.219	●	107	●	113	030	030												
206 SW	5	2002 → 2013	Railing	SI									●	107	815	915	515	920					
207	3-5	2006 → 2015	Fix Point	SI	156.122	●	107	●	107	005	005												
207 SW	5	2007 → 2013	Railing	SI									●	120	815	915	515	920					
208	3	2012 → 2019	Normal	NO	156.275	●	113	●	113	066	066												
208	3	2012 → 2019	Normal	SI						066	066												
208	5	2012 → 2019	Normal	NO	156.274	●	113	●	113	065	065												
208	5	2012 → 2019	Normal	SI						065	065												
208	5	2019 →	Normal	NO	156.371	●	113	●	120	075	075												
3008 I	5	2009 → 2016	Fix Point	SI	156.122	●	120	●	126	016	016												
3008 II ***	5	2016 → 2023	Rails Int.	SI																			
3008 II	5	2016 → 2023	Normal	NV	156.363	●	120	●	126	075	075											812	
3008 III	5	2024 →	Normal	NV	163.228	●	120	●	120	080	080												
306	5	1994 → 2002	Normal							026	026												
306 SW	5	1994 → 2002	Railing	SI									●	107	815	915	515	920					
307	3-5	2001 → 2009	Fix Point	SI	156.104	●	107	●	113	004	004												
307 SW	5	2002 → 2008	Railing	SI									●	120	815	915	515	920					

\* Rail int. con due bugne quadre in rilievo - \*\* Rail int. con due fori tondi in bassofondo - \*\*\* Portata limitata a 50 KG - Capacità de charge limitée à 50 KG

Veitura	Porte	Anno	Tipo Tetto	Tetto Normal/ Fix Point				Tetto Railing				Tetto Rails Int. - Railing Speciali										
				Componibile		Preassembl.		Componibile		Preassemblata		Componibile		Preassemblata								
				Kit	Piede 156.500 Traversa (Cm) Original	Piede 164.001 Traversa (Cm) Rapido	Acc 159.xxx Alu 162.xxx EVO	KIT	156.600 PIEDE 164.002	Traversa (Cm)	E.O. SW 156.xxx Acc Alu	FREE LINE (156.XXX)	TRAX (157.xxx)	KIT	156.601 Piede	QUICK 156.xxx Acc Alu	FREE LINE (156.xxx)	EDGE KIT	EDGE (157.xxx)			
308	3-5	2007 → 2013	Fix Point	SI	156.122	● 113	● 113	● 113	016	016	●	120	815	915	515	920	●	107	857	957	730	812
308	5	2013 → 2021	Normal	NO	156.347	● 120	● 120	● 120	075	075	●	120										
308	5	2021 →	Normal	NO	156.388	● 113	● 120	● 104	104	104	●	120										
308	5	2021 →	Normal	SI					104	104												
308 SW	5	2008 → 2014	Railing	SI																		
308 SW	5	2014 → 2021	Rails Int.	SI																		
308 SW	5	2016 → 2021	Normal	NO	156.347	● 120	● 120	● 104	075	075	●	120										
308 SW	5	2022 →	Normal	NO	156.388	● 113	● 120	● 104	104	104	●	120										
308 SW	5	2022 →	Normal	SI					104	104	●	120										
4007	5	2007 → 2012	Railing	SI																		
4008	5	2012 → 2017	Fix Point	SI	156.128	● 113	● 120	● 040	040	040	●	120										
4008	5	2012 → 2017	Rails Int.	SI																		
405	4	1987 → 1996	Normal						027	027	●	107										
405 SW	5	1988 → 1997	Railing	SI							●	107										
406	4	1995 → 2005	Normal						026	026	●	107										
406 SW	5	1997 → 2005	Railing	SI							●	107										
407	3-4	2004 → 2012	Fix Point	SI	156.122	● 107	● 107	● 005	005	005	●	120										
407 SW	5	2004 → 2012	Railing	SI							●	120										
408	5	2023 →	Normal	NV	163.217	● 113	● 120	● 104	104	104												
5008 (No Rails)	5	2009 → 2016	Fix Point	SI	156.122	● 120	● 126	● 016	016	016	●	120										
5008 ***	5	2017 → 2024	Rails Int.	SI																		
505 SW	5	1980 → 1992	Railing	SI							●	120										
508	4	2011 → 2018	Normal	NO	156.286	● 120	● 120	● 065	065	065	●	120										
508 SW / 508 RXH	5	2011 → 2018	Rails Int.	SI																		
508 SW	5	2018 →	Rails Int.	SI																		
806	5	1994 → 2002	T-Profile	SI							156.406	●	126	830	930							
807	5	2002 → 2010	Normal		156.304	● 142	● 142															
807	5	2002 → 2010	T-Profile	SI							156.406	●	142	830	930							
Bipper	3-5	2007 → 2016	Fix Point	SI	156.102	● 126	● 142	● 007	007	007	●	142										
Bipper	3-5	2007 → 2016	Railing	SI							●	142										
Partner - Ranch	3-5	1996 → 2008	Normal		156.209	● 107	● 113	● 022	022	022	●	107										
Partner I	5	2001 → 2007	Railing	SI							●	107										
Partner II	3-5	2008 → 2018	Fix Point	SI	156.129	● 120	● 126				●	142										
Partner II	5	2008 → 2018	Railing	SI							●	142										
Partner III/Rifter	3-5	2018 →	Railing	SI																		
Partner III/Rifter	5	2023 →	Rails Int.	SI																		
<b>Polestar</b>																						
2	4	2020 →	Normal	SI	163.223	● 113	● 120	● 079	079	079												
<b>Porsche</b>																						
Cayenne (9PA)	5	2002 → 2009	Railing	SI							●	120										
Cayenne (9PA)	5	2002 → 2009	T-Profile	SI							156.406	●	142									

\*\*\* Portata limitata a 50 KG

Veitura	Porte	Anno	Tipo Tetto	Tetto Normal / Fix Point				Tetto Railing				Tetto Rails Int. - Railing Speciali															
				Componibile		Preassembl.		Componibile		Preassemblata		Componibile		Preassemblata													
				Kit	Piede 156.500	Original Traversa (Cm)	Rapido Traversa (Cm)	Acc 159.xxx	Alu 162.xxx	KIT	PIEDE 156.600	164.002	Traversa (Cm)	E.O. SW 156.xxx	FREE LINE (156.XXX)	TRAX (157.xxx)	KIT	Piede 156.601	Traversa (Cm)	QUICK 156.xxx	Acc	Alu	FREE LINE (156.xxx)	EDGE KIT	EDGE (157.xxx)		
Cayenne (92A)	5	2010 → 2017	Railing	SI																							
Cayenne (P0536)	5	2018 →	Rails Int.	SI																						820	
Macan (95B)	5	2015 →	Rails Int.	SI																						812	
<b>Renault</b>																											
4	5	2025 →	Railing	SI																							
Alaskan	4	2016 →	Railing	SI																							
Arkana	5	2021 →	Normal	NV	156.389	•	120	•	126	080	080																
Austral	5	2023 →	Normal	NV	163.211	•	126	•	142																		
Austral	5	2023 →	Rails Int.	SI																							820
Captur I	5	2013 → 2019	Normal		156.302	•	113	•	120	065	065																
Captur II	5	2019 →	Normal	NV	156.399	•	120	•	120	075	075																
Captur II	5	2019 →	Rails Int.	SI																							812
Clio I	5	1990 → 1998	Normal							029	029																
Clio II \ Clio Storia	5	1998 → 2005	Normal							021	021																
Clio III	3	2005 → 2012	Fix Point	SI	156.352	•	107																				
Clio III	5	2005 → 2012	Fix Point	NV	156.350	•	107																				
Clio III	5	2005 → 2012	Fix Point	SI	156.350	•	107																				
Clio III SW	5	2005 → 2008	Railing	SI																							
Clio III SW	5	2008 → 2013	Railing	SI																							
Clio IV	5	2012 → 2019	Normal	NO	156.282	•	113	•	120	065	065																
Clio IV	5	2012 → 2019	Normal	SI						065	065																
Clio IV SW	5	2013 → 2020	Railing	SI																							
Clio V	5	2019 →	Normal	NV	156.374	•	113	•	120	084	084																
Clio VI	5	2026 →	Normal	NV	156.374	•	120	•	120	084	084																
Espace	5	1984 → 1990	Railing	SI																							
Espace	5	1996 → 2002	T-Profile	SI																							
Espace	5	2002 → 2014	T-Profile	SI																							
Espace	5	2015 → 2022	Normal	SI	156.327	•	142	•	142																		
Espace	5	2023 →	Rails Int.	SI																							
Express	5	1992 → 1997	Railing	SI																							
Grand Modus	5	2008 → 2013	Fix Point	NV	156.301	•	113			053	053																
Grand Scenic	5	2003 → 2009	Fix Point	SI	156.101	•	107	•	113	001	001																
Grand Scenic	5	2009 → 2016	Normal	SI	156.227	•	120	•	120																		
Grand Scenic	5	2017 → 2023	Rails Int.	SI																							
Kadjar	5	2015 → 2022	Rails Int.	SI																							
Kangoo I	3-5	1998 → 2007	Fix Point	SI	156.102	•	107	•	107	006	006																
Kangoo II	3-5	2008 → 2020	Fix Point	SI	156.102	•	113	•	113	002	002																
Kangoo III	3-5	2022 →	Fix Point	NV	156.102	•	107	•	113	006	006																
Koleos I	5	2008 → 2017	Railing	SI																							
Koleos II	5	2017 → 2023	Rails Int.	SI																							
Laguna I	5	1993 → 2001	Normal							044	044																
Laguna I SW	5	1996 → 2000	Railing	SI																							

Veitura	Porte	Anno	Tipo Tetto	Tetto Normal/ Fix Point				Tetto Railing				Tetto Rails Int. - Railing Speciali																	
				Componibile		Preassembl.	Componibile		Preassemblata		Componibile		Preassemblata		Componibile		Preassemblata												
				Kit	Piede 156.500	Original Traversa (Cm)	Piede 164.001	Rapido Traversa (Cm)	Acc 159.xxx	Alu 162.xxx	EVO	KIT	PIEDE 156.600	164.002	Traversa (Cm)	Acc 156.xxx	Alu	E.O. SW	156.xxx	Alu	TRAX (157.xxx)	156.xxx	Alu	TRAX (157.xxx)	QUICK 156.xxx	Acc	Alu	EDGE (157.xxx)	EDGE KIT
Laguna II	5	2001 → 2007	Normal																										
Laguna II SW	5	2001 → 2007	Railing	SI																									
Laguna III SW	5	2007 → 2015	Railing	SI																									
Megane E-Tech	5	2021 →	Normal	NV	163.208	•	120	•	120																				
Megane I	5	1996 → 2002	Normal																										
Megane II	3-5	2002 → 2010	Fix Point	SI	156.101	•	107	•	107																				
Megane II	4	2002 → 2010	Fix Point	SI	156.101	•	107	•	107																				
Megane II SW	5	2003 → 2009	Railing	SI																									
Megane III	5	2008 → 2015	Normal	NO	156.232	•	113	•	120																				
Megane III SW	5	2009 → 2016	Normal	NO	156.232	•	113	•	120																				
Megane III SW	5	2009 → 2016	Railing	SI																									
Megane IV	5	2016 →	Normal	NO	156.344	•	120	•	120																				
Megane Sporter / Grandtour	5	2016 →	Rails Int.	SI																									
Modus	5	2004 → 2013	Fix Point	NV	156.301	•	113																						
R19	5	1988 → 1995	Normal																										
R21	5	1989 → 1994	Normal																										
Rafale	5	2024 →	Normal	SI	163.225	•	126	•	142																				
Scenic I	5	1996 → 2003	Fix Point	SI	156.213	•	107	•	107																				
Scenic I	5	1996 → 2003	Normal		156.213	•	107	•	107																				
Scenic II	5	2003 → 2009	Fix Point	SI	156.101	•	107	•	113																				
Scenic II Conquest	5	2007 → 2009	Railing	SI																									
Scenic III	5	2009 → 2016	Normal	NO	156.227	•	120	•	120																				
Scenic III	5	2009 → 2016	Normal	SI																									
Scenic III	5	2009 → 2016	Railing	SI																									
Scenic III X-Mod	5	2009 → 2016	Normal	NO	156.227	•	120	•	120																				
Scenic III X-Mod	5	2009 → 2016	Railing	SI																									
Scenic IV	5	2017 → 2023	Normal	NO	156.338	•	126	•	142																				
Scenic V	5	2024 →	Rails Int.	SI																									
Symbioz	5	2025 →	Normal	NV	163.234	•	120	•	120																				
Talisman	4	2016 → 2022	Normal		156.349	•	120	•	120																				
Talisman SW	5	2016 → 2022	Rails Int.	SI																									
Twingo III	5	2014 →	Normal		156.323	•	113	•	120																				
<b>Rover</b>																													
600 (RH)	4	1993 → 1999	Normal																										
75 SW (RJ)	5	2001 → 2005	Railing	SI																									
<b>Saab</b>																													
9-3 (YS3F)	4	2003 → 2013	Fix Point	SI	156.130	•	107	•	113																				
9-3 SW (YS3F)	5	2005 → 2013	Fix Point	SI	156.130	•	107	•	113																				
9-3 SW (YS3F)	5	2005 → 2013	Railing	SI																									
9-3 X	5	2009 → 2013	Railing	SI																									
9-5 SW (YS3E)	5	1999 → 2010	Railing	SI																									
9-7 X	5	2006 → 2009	Railing	SI																									



Vettura	Porte	Anno	Tipo Tetto	Tetto Normal/ Fix Point				Tetto Railing				Tetto Rails Int. - Railing Speciali					
				Componibile		Preassembl.		Componibile		Preassemblata		Componibile		Preassemblata			
				Kit	Piede 156.500 Traversa (Cm) Original	Piede 164.001 Traversa (Cm) Rapido	Acc 159.xxx Alu 162.xxx EVO	KIT	PIEDE 156.600 Traversa (Cm) 164.002	E.O. SW 156.xxx Acc Alu	FREELINE (156.XXX) TRAX (157.xxx)	KIT	Piede 156.601 Traversa (Cm)	QUICK 156.xxx Acc Alu	FREELINE (156.xxx)	EDGE KIT	EDGE (157.xxx)
Fabia SW (6Y)	5	2000 → 2007	Railing SI														
Fabia SW (5J)	5	2007 → 2014	Railing SI														
Fabia SW (NJ)	5	2015 → 2022	Railing SI														
Felicia SW (6U)	5	1995 → 2001	Railing SI														
Kamiq	5	2019 →	Railing SI														
Karoq (NU7)	5	2018 →	Railing SI														
Kodiaq (NS7)	5	2017 → 2023	Railing SI														
Kodiaq (PS7)	5	2024 →	Rails Int. SI														
Octavia (1U)	4	1996 → 2004	Fix Point SI	156.222	• 126	• 142											
Octavia (5E)	4	2013 → 2019	Normal	156.299	• 120	• 120											
Octavia SW (1U)	5	1998 → 2004	Railing SI														
Octavia SW (1Z)	5	2004 → 2012	Railing SI														
Octavia SW (5E)	5	2013 → 2020	Railing SI														
Octavia SW (NX)	5	2020 →	Rails Int. SI														
Rapid (NH)	4	2013 → 2019	Normal NO	156.292	• 120	• 120	035	035	084	084							
Roomster (5J)	5	2006 → 2015	Railing SI														
Roomster Praktik (5J)	5	2007 → 2015	Railing SI														
Roomster Scout (5J)	5	2009 → 2015	Railing SI														
Scala	5	2019 →	Normal NV	156.383	• 120	• 120	084	084									
Superb SW (3T)	5	2010 → 2015	Railing SI														
Superb SW (3V)	5	2015 → 2023	Railing SI														
Superb SW (3Y)	5	2024 →	Rails Int. SI														
Yeti (5L)	5	2009 → 2017	Railing SI														
<b>Sportequipe</b>																	
7	5	2023 →	Rails Int. SI														
8	5	2023 →	Rails Int. SI														
<b>Ssangyong</b>																	
Korando	3	1997 → 2005	Railing SI														
Korando	5	2010 → 2014	Railing SI														
Korando	5	2014 → 2019	Railing SI														
Korando	5	2019 →	Railing SI														
Kyron	5	2005 → 2011	Railing SI														
Musso	5	1995 → 2006	Railing SI														
Musso II	2-4	2018 → 2023	Railing SI														
Rexton I	5	2001 → 2006	Railing SI														
Rexton II	5	2007 → 2013	Railing SI														
Rexton III	5	2013 → 2017	Railing SI														
Rexton IV	5	2017 →	Railing SI														
Rexton Sport	4	2017 →	Normal NV	163.224	• 142	• 142											
Rodius	5	2004 → 2013	Railing SI														
Rodius	5	2013 → 2019	Railing SI														

Vettura	Porte	Anno	Tipo Tetto	Tetto Normal / Fix Point				Tetto Railing				Tetto Rails Int. - Railing Speciali																		
				Componibile		Preassembl.		Componibile		Preassemblata		Componibile		Preassemblata																
				Kit	Piede 156.500	Original Traversa (Cm)	Piede 164.001	Rapido Traversa (Cm)	Acc 159.xxx	Alu 162.xxx	EVO	Kit	156.600	164.002	Traversa (Cm)	E.O. SW 156.xxx	Acc	Alu	FREE LINE (156.XXX)	TRAX (157.xxx)	Kit	156.601	Traversa (Cm)	QUICK 156.xxx	Acc	Alu	FREE LINE (156.xxx)	EDGE KIT	EDGE (157.xxx)	
Tivoli	5	2015 → 2023	Normal	SI	156.288	●	120	●	120	●	036	036									●	107	857	957	715					
Tivoli	5	2015 → 2023	Rails Int.	SI																	●	107	857	957	715					
XLV	5	2016 → 2023	Railing	SI																	●	113	815	915	515	920				
<b>Subaru</b>																														
Crosstrek	5	2023 →	Railing	SI																	●	120	815	915	515	920				
Forester (SF)	5	1997 → 2002	Rails Int.	SI																	●	120	830	930	515	935			812	
Forester (SH)	5	2008 → 2013	Railing	SI																	●	120	815	915	515	920				
Forester (SJ)	5	2013 → 2020	Railing	SI																	●	120	815	915	515	920				
Forester (SL)	5	2025 →	Railing	SI																	●	113	815	915	515	920				
Forester (SL)	5	2025 →	Rails Int.	SI																	●	107	815	915	515	920			812	
Impreza SW	5	1993 → 2010	Railing	SI																	●	107	815	915	515	920				
Impreza XV	5	2010 → 2012	Railing	SI																	●	120	815	915	920					
Justy (G3)	5	2003 → 2007	Railing	SI																	●	120	815	915	515	920				
Legacy SW (BC-BD-BE)	5	1989 → 2002	Railing	SI																	●	107	815	915	515	920				
Outback (BE)	5	1998 → 2003	Railing	SI																	●	107	815	915	515	920				
Trezia	5	2011 → 2016	Normal	NO	156.257	●	113	●	120	●	035	035																		
Tribeca (B9)	5	2008 → 2014	Railing	SI																	●	142	830	930	530	935				
XV	5	2012 → 2017	Railing	SI																	●	120	830	930	515	935				
XV	5	2018 →	Railing	SI																	●	120	815	915	515	920				
XV E-Boxer	5	2019 →	Rails Int.	SI																	●	107	857	957	715				812	
<b>Suzuki</b>																														
Aito (SS)	3-5	1982 → 1985	Normal																											
Aito (CA-CL-HA)	5	1986 → 2009	Normal																											
Aito (HA24)	5	2002 → 2009	Normal																											
Aito (HA25)	5	2008 → 2014	Normal																											
Baleno (EG)	5	1996 → 2002	Railing	SI																	●	107	815	915	515	920				
Grand Vitara (GT)	3-5	1998 → 2004	Railing	SI																	●	120	815	915	515	920				
Grand Vitara (JT)	3-5	2005 → 2015	Rails Int.	SI																										
Ignis (FH-MH)	5	2000 → 2008	Railing	SI																	●	120	815	915	515	920				
Ignis (MF)	5	2016 →	Railing	SI																	●	113	815	915	515	920				
Jimmy (FI)	5	1998 → 2018	Railing	SI																	●	113	815	915	515	920				
Samurai (SJ)	3	1982 → 1992	Railing	SI																	●	113	815	915	515	920				
S-Cross	5	2022 →	Rails Int.	SI																	●	120	830	930		935				812
Splash (EX)	5	2008 → 2015	Normal		156.237	●	107	●	113																					
Swace	5	2021 →	Rails Int.	SI																	●	107	830	930	530	935				812
SX4 (EY-GY)	5	2006 → 2014	Railing	SI																	●	120	830	930	530	935				
SX4 S-Cross (JY)	5	2014 → 2022	Rails Int.	SI																	●	120	830	930	530	935				812
Vitara (ET)	5	1998 → 2005	Railing	SI																	●	120	830	930	530	935				
Vitara (LY)	5	2015 →	Rails Int.	SI																	●	120	830	930	530	935				812
Wagon R+ (MM)	5	2000 → 2008	Railing	SI																	●	120	830	930	515	935				812

Veitura	Porte	Anno	Tipo Tetto	Tetto Normal/ Fix Point				Tetto Railing				Tetto Rails Int. - Railing Speciali								
				Componibile		Preassembl.		Componibile		Preassemblata		Componibile		Preassemblata						
				Kit	Piede 156.500 Original Traversa (Cm) 164.001	Rapido Traversa (Cm) 159.xxx	EVO Acc 159.xxx	Alu 162.xxx	KIT	PIEDE 156.600	Traversa (Cm) 164.002	E.O. SW 156.xxx Acc Alu	FREE LINE (156.XXX)	TRAX (157.xxx)	KIT	Piede 156.601	Traversa (Cm)	QUICK 156.xxx Acc Alu	FREE LINE (156.xxx)	EDGE KIT
<b>SWM</b>																				
G01	5	2025 →		Railing	SI															
G03	5	2025 →		Railing	SI															
G05	5	2025 →		Railing	SI															
<b>Tata</b>																				
Indica	5	2010 → 2017		Normal					036	036										
Indigo I SW	5	2002 → 2009		Railing	SI															
Safari	5	1998 → 2005		Railing	SI															
Xenon (Pick Up)	4	2007 → 2012		Normal					032	032										
<b>Tiger</b>																				
Eight	5	2025 →		Rails Int.	SI															
Six	5	2025 →		Rails Int.	SI															
<b>Toyota</b>																				
4 Runner (N130)	5	1990 → 1995		Railing	SI															
Auris (E18)	5	2013 → 2018		Normal	SI	156.294														
Auris SW (E18)	5	2013 → 2018		Rails Int.	SI															
Avensis (T22)	4-5	1997 → 2003		Normal	NO															
Avensis (T25)	4-5	2003 → 2009		Normal	NO															
Avensis SW (T22)	5	1997 → 2008		Railing	SI															
Avensis Verso	5	2001 → 2006		Railing	SI															
Aygo (AB10)	5	2005 → 2014		Normal	SI															
Aygo (AB40)	5	2014 → 2021		Normal	NO	156.256														
Aygo (AB40)	5	2014 → 2021		Normal	SI															
Aygo X	5	2022 →		Normal	NV															
Carina (T17)	5	1987 → 1993		Normal																
Carina SW (T17-T19)	5	1988 → 1997		Railing	SI															
C-HR	5	2017 → 2024		Normal	NV	156.357														
C-HR	5	2024 →		Normal	SI	163.222														
Corolla (E210)	5	2019 →		Normal	NV	156.373														
Corolla SW (E100)	5	1993 → 1999		Railing	SI															
Corolla SW (E110)	5	2000 → 2001		Railing	SI															
Corolla SW (E120)	5	2002 → 2006		Railing	SI															
Corolla SW (E210)	5	2019 →		Rails Int.	SI															
Corolla Verso (E121)	5	2002 → 2006		Railing	SI															
Corolla Verso (AR10)	5	2004 → 2009		Normal	SI	156.253														
Corolla Verso (AR10)	5	2007 → 2009		Railing	SI															
Hilux	4	2005 → 2015		Normal		156.297														
Hilux	4	2016 →		Normal	NV	156.392														
Land Cruiser 90	3	1996 → 2003		Railing	SI															
Land Cruiser 90	5	1996 → 2003		Railing	SI															
Land Cruiser 100	5	1990 → 2001		Railing	SI															



Vettura	Porte	Anno	Tipo Tetto	Tetto Normal / Fix Point				Tetto Railing				Tetto Rails Int. - Railing Speciali															
				Componibile		Preassembl.		Componibile		Preassemblata		Componibile		Preassemblata													
				Kit	Piede 156.500	Traversa (Cm) 156.500	Original	Piede 164.001	Rapido Traversa (Cm) 164.002	EVO Acc 159.xxx	Alu 162.xxx	Kit	PIEDE 156.600	Traversa (Cm) 164.002	E.O. SW 156.xxx	Acc	Alu	Kit	Piede 156.601	Traversa (Cm)	QUICK 156.xxx	Acc	Alu	Kit	PREASSEMBLATA (157.xxx)	EDGE KIT	EDGE (157.xxx)
Caddy	3-5	2015 → 2020	Fix Point SI	156.102	●	107	●	107	●	107	●	006	006														
Caddy	3-5	2015 → 2020	Railing SI																								
Caddy	3-5	2021 →	Fix Point SI	156.102	●	120	●	120	●	120	●																
Caddy	5	2021 →	Railing SI																								
Caddy Alltrack	5	2016 → 2021	Railing SI																								
Caddy Maxi	3-5	2021 →	Fix Point SI	156.102	●	120	●	120	●	120	●																
Golf III SW (1H)	5	1993 → 1999	Railing SI																								
Golf IV (1J)	3	1997 → 2004	Normal									038	038														
Golf IV (1J)	5	1997 → 2004	Normal	156.264	●	107	●	113	●	113	●	037	037														
Golf IV SW (1J)	5	1999 → 2007	Railing SI																								
Golf V (1K)	3	2003 → 2008	Normal	156.244	●	120	●	126	●	126	●																
Golf V (1K)	5	2003 → 2008	Normal	156.244	●	120	●	126	●	126	●	036	036														
Golf V Cross (1K)	5	2006 → 2014	Railing SI																								
Golf V Plus (1K)	5	2005 → 2014	Normal	156.270	●	113	●	120	●	120	●	036	036														
Golf V Plus (1K)	5	2005 → 2014	Railing SI																								
Golf V SW (1K)	5	2007 → 2010	Railing SI																								
Golf VI (5K)	3	2008 → 2012	Normal	156.244	●	120	●	126	●	126	●	036	036														
Golf VI (5K)	5	2008 → 2012	Normal	156.244	●	120	●	126	●	126	●	036	036														
Golf VI SW (5K)	5	2010 → 2013	Railing SI																								
Golf VII (5G)	5	2012 → 2020	Normal SI	156.290	●	120	●	120	●	120	●	066	066														
Golf VII Alltrack (5G)	5	2015 → 2021	Railing SI																								
Golf VII Sportsvan (AM1)	5	2014 → 2020	Normal SI	156.331	●	120	●	120	●	120	●																
Golf VII Sportsvan (AM1)	5	2014 → 2020	Railing SI																								
Golf VII SW (5G)	5	2013 → 2020	Railing SI																								
Golf VIII	5	2020 →	Normal NV	156.375	●	120	●	120	●	120	●	077	077														
Golf VIII Variant	5	2021 →	Railing SI																								
ID4	5	2020 →	Rails Int. SI																								
ID7 Tourer	5	2024 →	Rails Int. SI																								
Jetta (1B)	4	2010 → 2018	Normal									065	065														
Lupo (6X)	3	1998 → 2005	Normal									057	057														
Passat (B5)	4	1996 → 2005	Normal	156.262	●	113	●	113	●	113	●	057	057														
Passat (B6)	4	2005 → 2013	Normal	156.261	●	120	●	120	●	126	●	036	036														
Passat (B8)	4	2015 → 2023	Normal NV	163.219	●	126	●	126	●	126	●	084	084														
Passat Alltrack (B8)	5	2015 → 2021	Rails Int. SI																								
Passat SW (B2-B3-B4)	5	1980 → 1996	Railing SI																								
Passat SW (B5)	5	1997 → 2000	Railing SI																								
Passat SW (B5)	5	2000 → 2005	Railing SI																								
Passat SW (B6-B7)	5	2005 → 2014	Railing SI																								
Passat SW (B8)	5	2015 → 2023	Rails Int. SI																								
Passat SW (B9)	5	2023 →	Rails Int. SI																								
Polo II Classic (86C)	5	1981 → 1994	Railing SI																								
Polo II SW (86C)	5	1981 → 1990	Railing SI																								

Vettura	Porte	Anno	Tipo Tetto	Tetto Normal / Fix Point				Tetto Railing				Tetto Rails Int. - Railing Speciali																					
				Componibile		Preassembl.		Componibile		Preassemblata		Componibile		Preassemblata																			
				Kit	Original Traversa (Cm)	Piede 164.001	Rapido Traversa (Cm)	Acc 159.xxx	Alu 162.xxx	Kit	PIEDE 156.600	Traversa (Cm)	E.O. SW 156.xxx	Freeline (156.XXX)	TRAX (157.xxx)	Kit	PIEDE 156.601	Traversa (Cm)	QUICK 156.xxx	Freeline (156.xxx)	EDGE KIT	EDGE (157.xxx)											
Polo III (6N)	3-5	1995 → 2001	Fix Point SI	156.222	●	107	●	107	●	070	070	●	120	830	930	●	107	857	957	715	●	107	857	957	715								
Polo III SW (6N)	5	1996 → 2001	Railing SI							036	036																						
Polo IV (9N)	3	2001 → 2009	Normal																														
Polo IV (9N)	5	2001 → 2009	Normal	156.236	●	113	●	113	●	036	036	●	107	815	915	515	515	920															
Polo IV Cross (9N)	5	2006 → 2009	Railing SI																														
Polo IV Fun (9N)	5	2003 → 2005	Railing SI																														
Polo V (6R)	5	2009 → 2017	Normal	156.231	●	113	●	113	●	036	036	●	113	815	915	515	515	920	●	107	857	957	715	●	107	857	957	715					
Polo V Cross (6R)	5	2010 → 2017	Railing SI																														
Polo VI (AW)	5	2018 →	Normal NV	156.355	●	113	●	120	●	095	095																						
Sharan (7M)	5	1995 → 2010	Railing SI																														
Sharan (7N)	5	2010 → 2020	Railing SI																														
Taigo	5	2022 →	Normal NO	156.384	●	113	●	120	●	036	036																						
Taigo	5	2022 →	Railing SI																														
Tayron	5	2024 →	Rails Int. SI																														
T-Cross (No Rails)	5	2019 →	Normal NV	163.202	●	126	●	126	●	036	036																						
T-Cross	5	2019 →	Railing SI																														
Tiguan (5N)	5	2007 → 2016	Normal NO							036	036																						
Tiguan (5N)	5	2007 → 2016	Railing SI																														
Tiguan (AD1)	5	2016 → 2023	Railing SI																														
Tiguan (CT1)	5	2024 →	Railing SI																														
Tiguan Allspace (BW2)	5	2016 → 2023	Railing SI																														
Touareg (7L)	5	2002 → 2010	Railing SI																														
Touareg (7L)	5	2002 → 2010	T-Profile SI																														
Touareg (7F)	5	2010 → 2018	Railing SI																														
Touareg (CR7)	5	2018 →	Rails Int. SI																														
Touran (1T)	5	2003 → 2014	Railing SI																														
Touran (5T)	5	2015 →	Railing SI																														
Touran (5T)	5	2015 →	Railing SI																														
Transporter (T5)	3-5	2003 → 2014	Fix Point SI	156.102	●	142	●	142	●																								
Transporter (T5)	3-5	2003 → 2015	T-Profile SI																														
Transporter (T6)	3-5	2015 → 2024	Fix Point SI	156.102	●	142	●	142	●																								
Transporter (T6)	3-5	2015 → 2024	T-Profile SI																														
T-Roc (A11)	5	2017 → 2025	Normal NV	156.354	●	120	●	126	●	081	081																						
T-Roc (A11)	5	2017 → 2025	Railing SI																														
T-Roc II	5	2026 →	Rails Int. SI																														
Up	5	2012 →	Normal SI							036	036																						
Up Cross	5	2013 →	Railing SI																														
<b>Volvo</b>																																	
940	5	1990 → 1999	Railing SI																														
960	5	1991 → 1998	Railing SI																														
C40	5	2022 →	Normal SI							089	089																						
EX40	5	2018 →	Rails Int. SI																														
EX90	5	2024 →	Rails Int. SI																														

Vettura	Porte	Anno	Tipo Tetto	Tetto in Vetro	Tetto Normal/ Fix Point				Tetto Railing				Tetto Rails Int. - Railing Special				
					Componibile		Preassembl.		Componibile		Preassemblata		Componibile		Preassemblata		
					Kit	Piede 156.500 Traversa (Cm) Rapido 164.001 Traversa (Cm)	Acc 159.xxx Alu 162.xxx EVO 082 085	Traversa (Cm) 120 126	156.600 KIT	PIEDE 164.002 Traversa (Cm) 120	Acc 156.xxx Alu E.O. SW 156.xxx 815 915	FREE LINE (156.XXX) TRAX (157.xxx) 920	156.601 KIT	156.601 Traversa (Cm) 107	Acc Alu QUICK 156.xxx 857 957	FREE LINE (156.xxx) 715	EDGE KIT EDGE (157.xxx)
S40	4	2004 → 2012	Normal	NV			082										
S60	4	2010 → 2018	Normal	NV	156.370	●	085	126	●	085							
S80 II	4	2006 → 2016	Normal		156.273	●		126	●								
V40	5	1996 → 2004	Railing	SI													
V40 Cross Country	5	2012 → 2019	Railing	SI													
V40 II	5	2012 → 2019	Normal	NO	156.321	●	065	120	●	065							
V50	5	2004 → 2012	Normal		156.273	●	035	120	●	035							
V50	5	2004 → 2012	Railing	SI													
V60	5	2010 → 2018	Normal	NO	156.280	●	079	120	●	079							
V60	5	2010 → 2018	Normal	SI			079			079							
V60	5	2010 → 2018	Rails Int.	SI													812
V60	5	2018 →	Rails Int.	SI													812
V60 Cross Country	5	2015 → 2018	Rails Int.	SI													812
V70	5	2007 → 2016	Railing	SI													
V90	5	1997 → 1998	Railing	SI													
V90	5	2016 →	Rails Int.	SI													
V90	5	2016 →	Rails Int.	SI													812
XC40	5	2018 →	Rails Int.	SI													812
XC60	5	2008 → 2017	Rails Int.	SI													812
XC60	5	2017 →	Rails Int.	SI													812
XC70	5	2007 → 2016	Railing	SI													
XC90	5	2002 → 2014	Railing	SI													
XC90	5	2015 →	Railing	SI													812
XC90	5	2015 →	Rails Int.	SI													812
<b>Voyah</b>																	
Courage	5	2025 →	Railing	SI													820
Free	5	2025 →	Rails Int.	SI													820

Note:

## Applicazioni KIT ORIGINAL - per Codice

KIT	Marca	Vettura	P.	Anno	Tetto
156.101	Renault	Grand Scenic	5	2003 → 2009	Fix Point
156.101	Renault	Megane II	4	2002 → 2010	Fix Point
156.101	Renault	Megane II	3-5	2002 → 2010	Fix Point
156.101	Renault	Scenic II	5	2003 → 2009	Fix Point
156.102	Citroen	Nemo	3-5	2008 → 2017	Fix Point
156.102	Dacia	Dokker	3-5	2012 → 2021	Fix Point
156.102	Fiat	Doblo I	3-5	2000 → 2010	Fix Point
156.102	Fiat	Fiorino	3-5	1987 → 2001	Fix Point
156.102	Fiat	Fiorino	3-5	2008 → 2024	Fix Point
156.102	Fiat	Qubo	3-5	2008 → 2024	Fix Point
156.102	Ford	Connect	3-5	2002 → 2012	Fix Point
156.102	Ford	Connect (Tourneo)	3-5	2022 →	Fix Point
156.102	Ford	Connect (Transit)	3-5	2022 →	Fix Point
156.102	Ford	Courier (Tourneo)	3-5	2024 →	Fix Point
156.102	Ford	Courier (Transit)	3-5	2024 →	Fix Point
156.102	Mercedes	Citan (W415)	3-5	2012 → 2021	Fix Point
156.102	Mercedes	Citan (W420)	3-5	2022 →	Fix Point
156.102	Nissan	Kubistar (X76)	3-5	2003 → 2009	Fix Point
156.102	Nissan	NV250	3-5	2009 → 2021	Fix Point
156.102	Nissan	Townstar	3-5	2022 →	Fix Point
156.102	Opel	Combo C	3	2001 → 2012	Fix Point
156.102	Peugeot	Bipper	3-5	2007 → 2016	Fix Point
156.102	Renault	Kangoo I	3-5	1998 → 2007	Fix Point
156.102	Renault	Kangoo II	3-5	2008 → 2020	Fix Point
156.102	Renault	Kangoo III	3-5	2022 →	Fix Point
156.102	Volkswagen	Amarok	3-5	2011 → 2022	Fix Point
156.102	Volkswagen	Caddy	3-5	2003 → 2015	Fix Point
156.102	Volkswagen	Caddy	3-5	2015 → 2020	Fix Point
156.102	Volkswagen	Caddy	3-5	2021 →	Fix Point
156.102	Volkswagen	Caddy Maxi	3-5	2021 →	Fix Point
156.102	Volkswagen	Transporter (T5)	3-5	2003 → 2014	Fix Point
156.102	Volkswagen	Transporter (T6)	3-5	2015 → 2024	Fix Point
156.103	Bmw	Serie 1 (E87)	3-5	2004 → 2011	Fix Point
156.103	Bmw	Serie 1 (F20)	3-5	2007 → 2013	Fix Point
156.103	Bmw	Serie 1 coupè (E82)	3	2007 → 2013	Fix Point
156.103	Bmw	Serie 2 Coupè (F22)	3	2014 → 2021	Fix Point
156.103	Bmw	Serie 3 (E46)	4	1998 → 2005	Fix Point
156.103	Bmw	Serie 3 (E90)	4	2005 → 2012	Fix Point
156.103	Bmw	Serie 3 (F30)	4	2012 → 2019	Fix Point
156.103	Bmw	Serie 3 Coupè (E92)	3	2006 → 2014	Fix Point

KIT	Marca	Vettura	P.	Anno	Tetto
156.115	Mercedes	Classe B (W247)	5	2019 →	Fix Point
156.115	Mercedes	GLE Coupè (C292)	5	2015 → 2019	Fix Point
156.116	Fiat	Croma II	5	2005 → 2010	Fix Point
156.117	Fiat	Idea	5	2004 → 2012	Fix Point
156.117	Lancia	Musa	5	2004 → 2012	Fix Point
156.118	Ford	S-Max	5	2006 → 2015	Fix Point
156.119	Fiat	Multipla	5	1999 → 2010	Fix Point
156.120	Citroen	C4 Gran Picasso	5	2006 → 2013	Fix Point
156.120	Citroen	C4 Picasso	5	2007 → 2013	Fix Point
156.122	Citroen	C5 II	4	2008 → 2017	Fix Point
156.122	Citroen	C6	4	2005 → 2012	Fix Point
156.122	DS	3	3	2010 → 2019	Fix Point
156.122	Peugeot	207	3-5	2006 → 2015	Fix Point
156.122	Peugeot	308	3-5	2007 → 2013	Fix Point
156.122	Peugeot	407	3-4	2004 → 2012	Fix Point
156.122	Peugeot	3008 I	5	2009 → 2016	Fix Point
156.122	Peugeot	5008 (No Rails)	5	2009 → 2016	Fix Point
156.123	Citroen	C3 II	5	2009 → 2016	Fix Point
156.124	Fiat	Panda III	5	2012 →	Fix Point
156.125	Fiat	Fullback Double Cab	4	2016 → 2018	Fix Point
156.125	Fiat	Fullback Single Cab	2	2016 → 2018	Fix Point
156.125	Mitsubishi	L200 Double Cab (KJ)	4	2016 →	Fix Point
156.125	Mitsubishi	L200 Single Cab (KJ)	2	2016 →	Fix Point
156.125	Mitsubishi	Triton Double Cab (KK-KL)	4	2016 → 2023	Fix Point
156.125	Mitsubishi	Triton Single Cab (KK-KL)	2	2016 → 2023	Fix Point
156.126	Bmw	Serie 1 (F40)	5	2019 → 2025	Fix Point
156.126	Bmw	Serie 1 (F70)	5	2025 →	Fix Point
156.126	Bmw	Serie 3 (G20)	4	2019 →	Fix Point
156.127	Mazda	3 (BP sedan)	4	2019 →	Fix Point
156.127	Mazda	3 (BP)	5	2019 →	Fix Point
156.128	Citroen	C4 Aircross	5	2012 → 2017	Fix Point
156.128	Hyundai	i20 (GB)	5	2015 → 2020	Fix Point
156.128	Hyundai	i30 (FD)	3-5	2007 → 2012	Fix Point
156.128	Hyundai	i30 (GD)	3-5	2012 → 2017	Fix Point
156.128	Hyundai	i30 (PD)	5	2017 →	Fix Point
156.128	Kia	Cee'd (ED)	3-5	2006 → 2012	Fix Point
156.128	Kia	Cee'd (JD)	3-5	2012 → 2018	Fix Point
156.128	Kia	Cee'd (CD)	5	2018 →	Fix Point
156.128	Kia	Soul	5	2014 → 2018	Fix Point
156.128	Mazda	2 (DE)	3-5	2007 → 2015	Fix Point

KIT	Marca	Vettura	P.	Anno	Tetto
156.250	DS	4	5	2011 → 2018	Normal
156.251	Abarth	Punto	3	2005 → 2014	Normal
156.251	Fiat	Grande Punto \ P. Evo	3	2005 → 2018	Normal
156.252	Seat	Ibiza (6L)	3	2002 → 2008	Normal
156.252	Seat	Ibiza (6L)	5	2002 → 2008	Normal
156.253	Toyota	Corolla Verso (AR10)	5	2004 → 2009	Normal
156.253	Toyota	Verso	5	2009 → 2017	Normal
156.254	Seat	Leon (1P)	5	2005 → 2012	Normal
156.255	Land Rover	Freelander II	5	2006 → 2016	Normal
156.255	Mitsubishi	L200 Double Cab (K6)	4	1996 → 2005	Normal
156.255	Mitsubishi	Pajero Sport (K90)	5	1998 → 2006	Normal
156.256	Toyota	Aygo (AB40)	5	2014 → 2021	Normal
156.256	Toyota	Urban Cruiser	5	2009 → 2014	Normal
156.257	Subaru	Trezia	5	2011 → 2016	Normal
156.257	Toyota	Verso S	5	2011 → 2017	Normal
156.259	Hyundai	ix20 (JC)	5	2010 → 2019	Normal
156.259	Kia	Venga (YN)	5	2010 → 2019	Normal
156.260	Kia	Rio (UB)	5	2011 → 2017	Normal
156.261	Volkswagen	Passat (B6)	4	2005 → 2013	Normal
156.262	Volkswagen	Passat (B5)	4	1996 → 2005	Normal
156.263	Ford	Focus III	5	2011 → 2018	Normal
156.263	Ford	Focus III SW	5	2011 → 2018	Normal
156.264	Volkswagen	Golf IV (1J)	5	1997 → 2005	Normal
156.265	Nissan	Juke (F15)	5	2010 → 2019	Normal
156.266	Hyundai	ix35 (LM)	5	2010 → 2015	Normal
156.266	Toyota	Rav4 (XA30)	5	2006 → 2013	Normal
156.266	Toyota	Rav4 (XA40)	5	2013 → 2018	Normal
156.267	Ford	Fiesta V	5	2002 → 2008	Normal
156.268	Citroen	C3 I	5	2002 → 2009	Normal
156.269	Peugeot	1007	3	2005 → 2010	Normal
156.270	Volkswagen	Golf V Plus (1K)	5	2005 → 2014	Normal
156.271	Mitsubishi	L200 Double Cab (KA0T)	4	2006 → 2015	Normal
156.272	Skoda	Fabia (5J)	5	2007 → 2014	Normal
156.273	Volvo	S80 II	4	2006 → 2016	Normal
156.273	Volvo	V50	5	2004 → 2012	Normal
156.274	Peugeot	208	5	2012 → 2019	Normal
156.275	Peugeot	208	3	2012 → 2019	Normal
156.276	Fiat	500 L	5	2012 → 2023	Normal
156.276	Fiat	500 L Living	5	2013 → 2020	Normal
156.277	Audi	A3 (8P)	3	2003 → 2012	Normal

KIT	Marca	Vettura	P.	Anno	Tetto
156.222	Opel	Astra J Berlina	4	2012 → 2018	Fix Point
156.222	Opel	Corisa D	3-5	2006 → 2015	Fix Point
156.222	Opel	Corisa E	3-5	2015 → 2019	Fix Point
156.222	Opel	Meriva A	5	2003 → 2010	Fix Point
156.222	Opel	Meriva B	5	2010 → 2017	Fix Point
156.222	Opel	Signum	5	2003 → 2008	Fix Point
156.222	Opel	Vectra C	4	2002 → 2008	Fix Point
156.222	Opel	Zafira C (Tourer)	5	2011 → 2018	Fix Point
156.222	Skoda	Fabia (6Y)	5	1999 → 2007	Fix Point
156.222	Skoda	Octavia (1U)	4	1996 → 2004	Fix Point
156.222	Volkswagen	Polo III (6N)	3-5	1995 → 2001	Fix Point
156.223	Ford	Mondeo	4	2007 → 2014	Normal
156.227	Renault	Grand Scenic	5	2009 → 2016	Normal
156.227	Renault	Scenic III	5	2009 → 2016	Normal
156.227	Renault	Scenic III X-Mod	5	2009 → 2016	Normal
156.228	Mercedes	Classe A (W168)	5	1997 → 2004	Normal
156.231	Volkswagen	Polo V (6R)	5	2009 → 2017	Normal
156.232	Renault	Megane III	5	2008 → 2015	Normal
156.232	Renault	Megane III SW	5	2009 → 2016	Normal
156.233	Lancia	Delta	5	2008 → 2014	Normal
156.234	Ford	Fiesta VI	5	2008 → 2017	Normal
156.235	Nissan	Qashqai (J10)	5	2007 → 2014	Normal
156.236	Volkswagen	Polo IV (9N)	5	2001 → 2009	Normal
156.237	Hyundai	i20 (PB)	5	2008 → 2014	Normal
156.237	Opel	Agila B	5	2008 → 2015	Normal
156.237	Suzuki	Splash (EX)	5	2008 → 2015	Normal
156.237	Toyota	Yaris (XP10)	5	1999 → 2005	Normal
156.237	Toyota	Yaris (XP90)	5	2005 → 2011	Normal
156.237	Toyota	Yaris (XP130)	5	2011 → 2020	Normal
156.238	Alfa Romeo	159	4	2005 → 2013	Normal
156.238	Alfa Romeo	159 SW	5	2005 → 2013	Normal
156.239	Alfa Romeo	Giulietta	5	2010 → 2020	Normal
156.244	Volkswagen	Golf V (1K)	3	2003 → 2008	Normal
156.244	Volkswagen	Golf V (1K)	5	2003 → 2008	Normal
156.244	Volkswagen	Golf VI (5K)	3	2008 → 2012	Normal
156.244	Volkswagen	Golf VI (5K)	5	2008 → 2012	Normal
156.245	Alfa Romeo	147	5	2000 → 2010	Normal
156.246	Citroen	C4 II	5	2010 → 2018	Normal
156.247	Ford	C-Max II	5	2010 → 2019	Normal
156.249	Lancia	Ypsilon II	5	2011 → 2024	Normal

KIT	Marca	Vettura	P.	Anno	Tetto
156.128	Mazda	3 (BK)	4-5	2004 → 2009	Fix Point
156.128	Mazda	3 (BL)	4-5	2009 → 2013	Fix Point
156.128	Mazda	5 (CR-CW)	5	2005 → 2015	Fix Point
156.128	Mazda	6 (GH)	4	2007 → 2012	Fix Point
156.128	Mazda	CX-5 (KE)	5	2012 → 2017	Fix Point
156.128	Mazda	CX-7 (ER)	5	2006 → 2012	Fix Point
156.128	Mitsubishi	ASX I	5	2010 → 2022	Fix Point
156.128	Mitsubishi	Lancer (CY0-CX)	4-5	2008 → 2015	Fix Point
156.128	Mitsubishi	Lancer Evo 10	4	2008 → 2016	Fix Point
156.128	Peugeot	4008	5	2012 → 2017	Fix Point
156.129	Citroen	Berlingo II	3-5	2008 → 2018	Fix Point
156.129	Peugeot	Partner II	3-5	2008 → 2018	Fix Point
156.130	Saab	9-3 (Y53F)	4	2003 → 2013	Fix Point
156.130	Saab	9-3 SW (Y53F)	5	2005 → 2013	Fix Point
156.131	Mercedes	Classe A Sedan (V177)	4	2019 →	Fix Point
156.132	Nissan	X-Trail (T33)	5	2022 →	Fix Point
156.203	Fiat	Punto II	3	1999 → 2010	Normal
156.204	Fiat	Punto II	5	1999 → 2010	Normal
156.209	Citroen	Berlingo I	3-5	1996 → 2008	Normal
156.209	Citroen	Xsara Picasso	5	1999 → 2010	Normal
156.209	Peugeot	Partner - Ranch	3-5	1996 → 2008	Normal
156.213	Land Rover	Range II	5	1994 → 2002	Fix Point
156.213	Opel	Astra F	3-5	1991 → 1998	Fix Point
156.213	Opel	Astra G	3-5	1998 → 2004	Fix Point
156.213	Opel	Astra G SW	5	1998 → 2004	Fix Point
156.213	Opel	Calibra	3	1990 → 1997	Fix Point
156.213	Opel	Corisa B	3-5	1993 → 2000	Fix Point
156.213	Opel	Corisa C	3-5	2000 → 2006	Fix Point
156.213	Opel	Kadett E	3-5	1984 → 1991	Fix Point
156.213	Opel	Tigra A	3	1994 → 2000	Fix Point
156.213	Renault	Scenic I	5	1996 → 2003	Fix Point
156.213	Renault	Scenic I	5	1996 → 2003	Normal
156.215	Fiat	Grande Punto \ P. Evo	5	2005 → 2018	Normal
156.215	Fiat	Punto III	5	2012 → 2018	Normal
156.217	Seat	Ibiza (6J-6P)	5	2008 → 2017	Normal
156.218	Lancia	Ypsilon I	3	2003 → 2011	Normal
156.219	Peugeot	206	5	1998 → 2012	Normal
156.221	Fiat	Bravo II	5	2007 → 2014	Normal
156.222	Opel	Adam	3	2013 → 2019	Fix Point
156.222	Opel	Astra J	3-5	2009 → 2015	Fix Point

KIT	Marca	Vettura	P.	Anno	Tetto
156.349	Renault	Talisman	4	2016 → 2022	Normal
156.350	Renault	Clio III	5	2005 → 2012	Fix Point
156.350	Renault	Clio III	5	2005 → 2012	Fix Point
156.351	Ford	Fiesta VII	5	2018 → 2024	Normal
156.351	Hyundai	i10 (AC3)	5	2020 →	Normal
156.352	Renault	Clio III	3	2005 → 2012	Fix Point
156.353	Dacia	Logan	4	2004 → 2012	Fix Point
156.353	Dacia	Sandero I	5	2008 → 2012	Fix Point
156.353	Dacia	Sandero II	5	2012 → 2020	Fix Point
156.354	Volkswagen	T-Roc (A11)	5	2017 → 2025	Normal
156.355	Volkswagen	Polo VI (AW)	5	2018 →	Normal
156.356	Audi	A4 (B9)	4	2016 → 2024	Normal
156.357	Toyota	C-HR	5	2017 → 2024	Normal
156.359	Audi	A4 (B6)	4	2000 → 2004	Normal
156.359	Audi	A4 (B7)	4	2004 → 2007	Normal
156.359	Audi	A4 (B8)	4	2008 → 2015	Normal
156.363	Peugeot	3008 II	5	2016 → 2023	Normal
156.365	Opel	Grandland X	5	2017 → 2024	Normal
156.366	Citroen	C1 II	5	2014 → 2021	Normal
156.366	Peugeot	108	5	2014 → 2021	Normal
156.367	Land Rover	Discovery Sport (L550)	5	2015 →	Normal
156.368	Fiat	Tipo Berlina	4	2015 →	Normal
156.369	Fiat	Tipo	5	2016 →	Normal
156.370	Volvo	S60	4	2010 → 2018	Normal
156.371	Lancia	Ypsilon III	5	2024 →	Normal
156.371	Opel	Corsa F	5	2019 →	Normal
156.371	Peugeot	208	5	2019 →	Normal
156.372	Audi	A3 Sportback (8P)	5	2004 → 2012	Normal
156.373	Toyota	Corolla (E210)	5	2019 →	Normal
156.374	Mitsubishi	Colt	5	2023 →	Normal
156.374	Renault	Clio V	5	2019 →	Normal
156.374	Renault	Clio VI	5	2026 →	Normal
156.375	Volkswagen	Golf VIII	5	2020 →	Normal
156.376	DS	3	5	2018 →	Normal
156.376	DS	3 Crossback	5	2018 →	Normal
156.377	Dacia	Sandero III	5	2021 →	Normal
156.378	Ford	Puma	5	2020 →	Normal
156.379	Hyundai	i20 (BC3)	5	2021 →	Normal
156.380	Kia	Picanto (JA)	5	2017 →	Normal
156.381	Mazda	CX-30 (DM)	5	2020 →	Normal
156.382	Mazda	MX-30 (DR)	5	2021 →	Normal

KIT	Marca	Vettura	P.	Anno	Tetto
156.308	Audi	A3 Sportback (8V)	5	2013 → 2020	Normal
156.309	Citroen	C4 Picasso	5	2012 → 2018	Normal
156.310	Audi	A6 (C6)	4	2004 → 2011	Normal
156.311	Alfa Romeo	147	3	2000 → 2010	Normal
156.312	Nissan	Qashqai (J11)	5	2014 → 2021	Normal
156.314	Citroen	C4 Gran Picasso / Space Tourer	5	2013 → 2022	Normal
156.316	Hyundai	i10 (IA-BA)	5	2014 → 2020	Normal
156.317	Citroen	C2	5	2003 → 2010	Fix Point
156.318	Fiat	Panda II	5	2003 → 2012	Fix Point
156.320	Mazda	CX-3 (DK)	5	2015 →	Normal
156.321	Volvo	V40 II	5	2012 → 2019	Normal
156.323	Renault	Twingo III	5	2014 →	Normal
156.324	Kia	Carens (RP)	5	2013 → 2018	Normal
156.324	Nissan	Micra (K14)	5	2017 → 2024	Normal
156.324	Nissan	Pulsar (C13)	5	2014 → 2018	Normal
156.325	Bmw	Serie 2 Active Tourer (F45)	5	2014 → 2021	Normal
156.326	Ford	Courier (Tourneo)	3-5	2014 → 2023	Fix Point
156.326	Ford	Courier (Transit)	3-5	2014 → 2023	Fix Point
156.327	Renault	Espace	5	2015 → 2022	Normal
156.328	Opel	Astra K	5	2015 → 2021	Normal
156.329	Jeep	Renegade (BU)	5	2014 →	Normal
156.330	Fiat	500 X ***	5	2015 → 2024	Normal
156.331	Volkswagen	Golf VII Sportsvan (AM1)	5	2014 → 2020	Normal
156.332	Ford	Kuga	5	2013 → 2020	Normal
156.333	Mazda	2 (DL-DJ)	5	2015 → 2021	Normal
156.335	Ford	S-Max	5	2015 → 2023	Normal
156.337	Alfa Romeo	Giulia	4	2016 →	Normal
156.338	Citroen	C4 III	5	2021 →	Normal
156.338	Renault	Scenic IV	5	2017 → 2023	Normal
156.339	Citroen	C3 III	5	2017 → 2024	Normal
156.340	Audi	Q2 (GA)	5	2017 →	Normal
156.341	Kia	Rio (YB)	5	2017 → 2023	Normal
156.342	Mini	Clubman (F54) ***	5	2015 → 2024	Normal
156.342	Mini	Cooper (F55-F56) ***	5	2014 → 2024	Normal
156.343	Audi	A3 Berlina (8V)	4	2013 → 2020	Normal
156.344	Renault	Megane IV	5	2016 →	Normal
156.345	Skoda	Fabia (NJ)	5	2015 → 2022	Normal
156.346	Seat	Ibiza (KJ1)	5	2017 →	Normal
156.347	Peugeot	308	5	2013 → 2021	Normal
156.347	Peugeot	308 SW	5	2016 → 2021	Normal
156.348	Opel	Crossland X	5	2017 → 2024	Normal

KIT	Marca	Vettura	P.	Anno	Tetto
156.278	Audi	A3 (8V)	3	2012 → 2017	Normal
156.279	Audi	A1 Sportback (8X)	5	2011 → 2018	Normal
156.280	Volvo	V60	5	2010 → 2018	Normal
156.281	Abarth	500	3	2007 → 2015	Normal
156.281	Fiat	500	3	2007 → 2024	Normal
156.282	Renault	Clio IV	5	2012 → 2019	Normal
156.283	DS	5	5	2012 → 2018	Normal
156.284	Honda	Civic (FN)	5	2006 → 2012	Normal
156.285	Toyota	Prius+ (XV40)	5	2012 → 2021	Normal
156.286	Peugeot	508	4	2011 → 2018	Normal
156.287	Opel	Insignia A	4	2008 → 2017	Normal
156.288	Bmw	Serie 5 (E60)	4	2003 → 2010	Normal
156.288	Bmw	Serie 5 Touring (E61)	5	2004 → 2011	Normal
156.288	Ssangyong	Tivoli	5	2015 → 2023	Normal
156.289	Audi	A1 (8X)	3	2010 → 2018	Normal
156.290	Volkswagen	Golf VII (5G)	5	2012 → 2020	Normal
156.291	Mitsubishi	Pajero (V80)	5	2006 → 2018	Normal
156.292	Seat	Toledo (KG)	4	2013 → 2019	Normal
156.292	Skoda	Rapid (NH)	4	2013 → 2019	Normal
156.293	Kia	Picanto (TA)	5	2011 → 2017	Normal
156.294	Toyota	Auris (E18)	5	2013 → 2018	Normal
156.295	Toyota	Land Cruiser 120	5	2002 → 2009	Fix Point
156.295	Toyota	Land Cruiser 150	5	2009 → 2024	Fix Point
156.295	Toyota	Land Cruiser 155	3	2009 → 2024	Fix Point
156.296	Kia	Ceed (JD) (Panoramic)	5	2012 → 2018	Normal
156.297	Toyota	Hilux	4	2005 → 2015	Normal
156.298	Seat	Leon (5F)	5	2013 → 2020	Normal
156.299	Skoda	Octavia (5E)	4	2013 → 2019	Normal
156.301	Renault	Grand Modus	5	2008 → 2013	Fix Point
156.301	Renault	Modus	5	2004 → 2013	Fix Point
156.302	Renault	Captur I	5	2013 → 2019	Normal
156.303	Land Rover	Evoque (L538)	5	2011 → 2018	Normal
156.304	Citroen	C8	5	2002 → 2010	Normal
156.304	Fiat	Ulysse II	5	2002 → 2010	Normal
156.304	Lancia	Phedra	5	2002 → 2010	Normal
156.304	Peugeot	807	5	2002 → 2010	Normal
156.305	Ford	Fusion	5	2002 → 2012	Normal
156.306	Daihatsu	Terios	5	2006 → 2016	Normal
156.306	Honda	Jazz (GE)	5	2009 → 2013	Normal
156.306	Nissan	Note (E12)	5	2012 → 2020	Normal
156.307	Mazda	3 (BM)	5	2013 → 2019	Normal

KIT	Marca	Vettura	P.	Anno	Tetto	KIT	Marca	Vettura	P.	Anno	Tetto	KIT	Marca	Vettura	P.	Anno	Tetto
156.383	Skoda	Scala	5	2019 →	Normal	163.200	Kia	EV6	5	2022 →	Normal	163.220	Jaguar	E-Pace (X540)	5	2017 →	Normal
156.384	Volkswagen	Taigo	5	2022 →	Normal	163.201	Hyundai	Ioniq	4	2016 → 2022	Normal	163.221	Toyota	Prius (XW50)	5	2015 → 2022	Normal
156.385	Audi	Q5 Sportback (FYT)	5	2021 → 2025	Normal	163.201	Kia	Niro (SG2)	5	2021 →	Normal	163.222	Toyota	C-HR	5	2024 →	Normal
156.386	Seat	Ateca (KH)	5	2016 →	Normal	163.202	Volkswagen	T-Cross (No Rails)	5	2019 →	Normal	163.223	Polestar	2	4	2020 →	Normal
156.387	Peugeot	2008	5	2020 →	Normal	163.203	Citroen	CSX	5	2022 →	Normal	163.224	Ssangyong	Rexton Sport	4	2017 →	Normal
156.388	Peugeot	308	5	2021 →	Normal	163.204	Lexus	ES (XZ10)	4	2018 →	Normal	163.225	Renault	Rafale	5	2024 →	Normal
156.388	Peugeot	308 SW	5	2022 →	Normal	163.205	MG	MG4	5	2022 →	Normal	163.227	Cupra	Tavascan	5	2024 →	Normal
156.389	Renault	Arkana	5	2021 →	Normal	163.206	Ford	Ecosport (no rails)	5	2012 → 2023	Normal	163.228	Peugeot	3008 III	5	2024 →	Normal
156.390	Toyota	Yaris Cross	5	2020 →	Normal	163.207	Skoda	Fabia (PJ3)	5	2022 →	Normal	163.229	Citroen	C3 IV	5	2024 →	Normal
156.391	Fiat	500	3	2025 →	Normal	163.208	Renault	Megane E-Tech	5	2021 →	Normal	163.229	Citroen	C3 IV	5	2024 →	Rails.int.
156.391	Fiat	500 e	3	2020 →	Normal	163.209	Toyota	Prius (XW20)	5	2003 → 2009	Normal	163.229	Citroen	C3 IV Aircross	5	2025 →	Normal
156.392	Toyota	Hilux	4	2016 →	Normal	163.210	Jeep	Avenger	5	2023 →	Normal	163.229	Citroen	C3 IV Aircross	5	2025 →	Rails.int.
156.393	DS	4	5	2021 →	Normal	163.211	Renault	Austral	5	2023 →	Normal	163.229	Opel	Frontera	5	2025 →	Normal
156.394	Opel	Mokka	5	2021 →	Normal	163.212	Nissan	Qashqai (J12)	5	2021 →	Normal	163.230	Opel	Grandland	5	2025 →	Normal
156.395	Honda	Jazz (GK)	5	2013 → 2019	Normal	163.213	Nissan	Juke (F16)	5	2019 →	Normal	163.231	Abarth	600	5	2025 →	Normal
156.396	Audi	Q3 Sportback	5	2019 → 2025	Normal	163.214	Mazda	CX-60	5	2022 →	Normal	163.231	Alfa Romeo	Junior	5	2025 →	Normal
156.397	Mazda	2 (KB)	5	2022 →	Normal	163.215	Honda	ZR-V	5	2022 →	Normal	163.231	Fiat	600	5	2025 →	Normal
156.397	Toyota	Yaris (XP210)	5	2020 →	Normal	163.216	Skoda	Enyaq Coupé	5	2023 →	Normal	163.232	Ford	Capri	5	2025 →	Normal
156.398	Audi	A3 Sportback (8Y)	5	2020 →	Normal	163.217	Peugeot	408	5	2023 →	Normal	163.233	Fiat	Grande Panda	5	2025 →	Normal
156.399	Mitsubishi	ASX II	5	2023 →	Normal	163.218	Toyota	Prius (XW60)	5	2022 →	Normal	163.234	Renault	Symbioz	5	2025 →	Normal
156.399	Renault	Captur II	5	2019 →	Normal	163.219	Volkswagen	Passat (B8)	4	2015 → 2023	Normal						

Note:

## Applicazioni KIT TREK - per codice

KIT	Marca	Vettura	P.	Anno	Tetto
401	Audi	A3 Sportback (8P)	5	2004 → 2013	Rails Int.
402	Opel	Astra H SW*	5	2004 → 2007	Rails Int.
402	Opel	Signum	5	2003 → 2008	Rails Int.
402	Opel	Vectra C	5	2002 → 2008	Rails Int.
402	Opel	Zafira B *	5	2005 → 2007	Rails Int.
403	Audi	A6 SW (C6)	5	2005 → 2011	Rails Int.
404	Seat	Altea Freetrack (5P)	5	2007 → 2015	Rails Int.
404	Seat	Altea XL (5P)	5	2006 → 2015	Rails Int.
404	Seat	Ibiza SW (6J-6P)	5	2010 → 2017	Rails Int.
404	Seat	Leon SW (5F)	5	2014 → 2020	Rails Int.
405	Opel	Astra J SW	5	2010 → 2015	Rails Int.
405	Opel	Zafira C (Tourer)	5	2011 → 2018	Rails Int.
406	Chrysler	PT Cruiser	5	2000 → 2010	T-Profile
406	Chrysler	Voyager	5	2001 → 2008	T-Profile
406	Citroen	C8	5	2002 → 2010	T-Profile
406	Citroen	Evasion	5	1994 → 2002	T-Profile
406	Citroen	Xantia SW	5	1995 → 2001	T-Profile
406	Citroen	Xsara SW	5	1997 → 2004	T-Profile
406	Fiat	Ulysse I	5	1994 → 2002	T-Profile
406	Fiat	Ulysse II	5	2002 → 2010	T-Profile
406	Ford	Focus II SW	5	2004 → 2011	T-Profile
406	Ford	Galaxy	5	2006 → 2010	T-Profile
406	Jeep	Cherokee (XJ)	5	1984 → 2001	T-Profile
406	Lancia	Phedra	5	2002 → 2010	T-Profile
406	Lancia	Zeta	5	1995 → 2002	T-Profile
406	Land Rover	Discovery	5	2010 → 2017	T-Profile
406	Mazda	MPV (LW)	5	1999 → 2005	T-Profile
406	Mercedes	Vito (W638)	3-5	1996 → 2003	T-Profile

I Kit Trek riportati in grassetto (**402 - 406 - 408 - 411 - 412- 420**) ricoprono delle applicazioni che la barra Quick non è in grado di ricoprire. Pertanto le loro applicazioni non possono essere sostituite dalla nuova barra Quick.





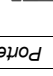

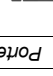

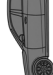

























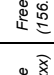

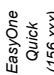



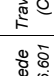

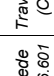

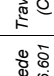













KIT	Marca	Vettura	P.	Anno	Tetto
406	Nissan	X-Trail (T30-T31)	5	2001 → 2014	T-Profile
406	Peugeot	806	5	1994 → 2002	T-Profile
406	Peugeot	807	5	2002 → 2010	T-Profile
406	Porsche	Cayenne (9PA)	5	2002 → 2009	T-Profile
406	Renault	Espace	5	1996 → 2002	T-Profile
406	Renault	Espace	5	2002 → 2014	T-Profile
406	Volkswagen	Touareg (7L)	5	2002 → 2010	T-Profile
406	Volkswagen	Transporter (T5)	3-5	2003 → 2015	T-Profile
406	Volkswagen	Transporter (T6)	3-5	2015 →	T-Profile
407	Opel	Insignia A SW	5	2009 → 2017	Rails Int.
408	Bmw	Serie 3 Touring (E91)	5	2010 → 2012	Rails Int.
408	Bmw	X5 (E70)	5	2007 → 2013	Rails Int.
409	Opel	Astra H SW**	5	2007 → 2011	Rails Int.
409	Opel	Zafira B **	5	2007 → 2014	Rails Int.
410	Audi	A4 SW (B8)	5	2008 → 2015	Rails Int.
411	Fiat	Qubo	5	2008 → 2020	Railing
411	Mitsubishi	Outlander (CU)	5	2003 → 2007	Railing
412	Dacia	Duster	5	2010 → 2013	Railing
412	Renault	Clio III SW	5	2005 → 2008	Railing
412	Renault	Laguna III SW	5	2007 → 2015	Railing
414	Ford	Focus III SW	5	2011 → 2018	Rails Int.
414	Ford	Mondeo SW	5	2012 → 2014	Rails Int.
415	Bmw	Serie 5 Touring (F11)	5	2010 → 2017	Rails Int.
416	Hyundai	ix35 (LM)***	5	2010 → 2015	Rails Int.
416	Kia	Sportage (SL)***	5	2010 → 2016	Rails Int.
418	Bmw	X3 (F25)	5	2011 → 2017	Rails Int.
419	Fiat	Panda III	5	2012 →	Rails Int.
420	Hyundai	Kona	5	2017 → 2023	Rails Int.

\* il Rails Int. presenta due bugne quadrate in rilievo

\*\* il Rails Int. presenta 2 fori tondi in bassofondo

\*\*\* 50Kg Max

## Applicazioni KIT QUICK / EDGE - per Codice KIT

KIT	Marca	Vettura	Porte	Anno	Tetto	Componibile		Preassemblata		
						Piede 156.601	Traversa (Cm)	EasyOne Quick (156.xxx)	Edge (157.xxx)	Freeline (156.xxx)
156.655	Opel	 Opel	3-5	2018 →	 Railing	•	113	857-957	/	/
156.655	Peugeot	 Peugeot	3-5	2018 →	 Railing	•	113	865-965	/	/
156.655	Ssangyong	 Ssangyong	2-4	2018 →	 Railing	•	107	857-957	/	/
156.655	Ssangyong	 Ssangyong	5	2017 →	 Railing	•	107	857-957	/	/
156.655	Toyota	 Toyota	3-5	2020 →	 Railing	•	113	857-957	/	/
156.656	DR	 DR	5	2017 →	 Railing	•	107	865-965	/	730
156.656	Hyundai	 Hyundai	5	2017 →	 Railing	•	107	857-957	/	715
156.656	Hyundai	 Hyundai	5	2010 →	 Railing	•	107	857-957	/	730
156.656	Hyundai	 Hyundai	5	2015 →	 Railing	•	107	857-957	/	730
156.656	Kia	 Kia	5	2012 →	 Railing	•	107	857-957	/	715
156.656	Kia	 Kia	5	2018 →	 Railing	•	107	857-957	/	715
156.656	Kia	 Kia	5	2016 →	 Railing	•	107	857-957	/	730
156.656	Kia	 Kia	5	2017 →	 Railing	•	107	857-957	/	715
156.656	Kia	 Kia	5	2014 →	 Railing	•	107	857-957	/	730
156.656	Kia	 Kia	5	2010 →	 Railing	•	107	857-957	/	730
156.656	Kia	 Kia	5	2016 →	 Railing	•	107	857-957	/	730
156.657	Fiat	 Fiat	5	2021 →	 Railing	•	107	857-957	/	715
157.401	Citroen	 Citroen	5	2012 →	 Railing	•	113	857-957	/	812
157.401	Dacia	 Dacia	5	2012 →	 Railing	•	120	865-965	/	812
157.401	Fiat	 Fiat	5	2015 →	 Railing	•	107	857-957	/	812
157.401	Ford	 Ford	5	2018 →	 Railing	•	107	857-957	/	812
157.401	Ford	 Ford	5	2019 →	 Railing	•	107	857-957	/	812
157.401	Ford	 Ford	5	2018 →	 Railing	•	113	865-965	/	812
157.401	Mitsubishi	 Mitsubishi	5	2010 →	 Railing	•	107	865-965	/	812
157.401	Mitsubishi	 Mitsubishi	5	2018 →	 Railing	•	107	865-965	/	812
157.401	Mitsubishi	 Mitsubishi	5	2013 →	 Railing	•	113	857-957	/	820
157.401	Opel	 Opel	5	2025 →	 Railing	•	126	857-957	/	812
157.401	Peugeot	 Peugeot	5	2012 →	 Railing	•	107	857-957	/	812
157.401	Volkswagen	 Volkswagen	5	2019 →	 Railing	•	107	857-957	/	812

\*\*\* Portata limitata a 50 KG

Note:

# Applicazioni EASY ONE EVO per Codice Barra

KIT	Marca	Vettura	P	Anno	Tepto	KIT	Marca	Vettura	P	Anno	Tepto	KIT	Marca	Vettura	P	Anno	Tepto
1	Renault	Grand Scenic	5	2003 → 2009	Fix Point	7	Citroen	Nemo	3-5	2008 → 2017	Fix Point	16	Peugeot	5008 (No Rails)	5	2009 → 2016	Fix Point
1	Renault	Megane II	4	2002 → 2010	Fix Point	7	Fiat	Doblò I	3-5	2000 → 2010	Fix Point	17	Fiat	Idea	5	2004 → 2012	Fix Point
1	Renault	Megane II	3-5	2002 → 2010	Fix Point	7	Fiat	Fiorino	3-5	2008 → 2024	Fix Point	17	Fiat	Stilo	3-5	2001 → 2007	Fix Point
1	Renault	Scenic II	5	2003 → 2009	Fix Point	7	Fiat	Qubo	3-5	2008 → 2024	Fix Point	17	Lancia	Musa	5	2004 → 2012	Fix Point
2	Fiat	Fiorino	3-5	1987 → 2001	Fix Point	7	Peugeot	Bipper	3-5	2007 → 2016	Fix Point	18	Ford	Focus I	5	1998 → 2004	Normal
2	Ford	Connect	3-5	2002 → 2012	Fix Point	7	Volkswagen	Amarok	3-5	2011 → 2022	Fix Point	19	Fiat	Grande Punto \ P. Evo	5	2005 → 2018	Normal
2	Mercedes	Citan (W415)	3-5	2012 → 2021	Fix Point	8	Citroen	C4 Gran Picasso	5	2006 → 2013	Fix Point	19	Fiat	Punto III	5	2012 → 2018	Normal
2	Nissan	NV250	3-5	2009 → 2021	Fix Point	8	Citroen	C4 I	3	2004 → 2010	Fix Point	20	Fiat	Punto I	5	1993 → 1999	Normal
2	Opel	Combo C	3	2001 → 2012	Fix Point	8	Citroen	C4 I	5	2004 → 2010	Fix Point	20	Fiat	Tempra	4	1990 → 1996	Normal
2	Renault	Kangoo II	3-5	2008 → 2020	Fix Point	8	Citroen	C4 Picasso	5	2007 → 2013	Fix Point	20	Fiat	Tipo	3-5	1988 → 1995	Normal
3	Bmw	Serie 1 (E87)	3-5	2004 → 2011	Fix Point	9	Hyundai	i30 (FD)	3-5	2007 → 2012	Fix Point	21	Chevrolet	Matiz	5	1998 → 2005	Normal
3	Bmw	Serie 1 (F20)	3-5	2011 → 2019	Fix Point	9	Hyundai	i30 (GD)	3-5	2012 → 2017	Fix Point	21	Citroen	Xsara	5	1997 → 2004	Normal
3	Bmw	Serie 1 coupè (E82)	3	2007 → 2013	Fix Point	9	Kia	Cee'd (ED)	3-5	2006 → 2012	Fix Point	21	Daewoo	Matiz	5	1998 → 2007	Normal
3	Bmw	Serie 2 Coupè (F22)	3	2014 → 2021	Fix Point	9	Kia	Cee'd (JD)	3-5	2012 → 2018	Fix Point	21	Nissan	Almera (N15)	4	1995 → 2000	Normal
3	Bmw	Serie 3 (E46)	4	1998 → 2005	Fix Point	9	Mazda	2 (DE)	3-5	2007 → 2015	Fix Point	21	Nissan	Primera (P10)	5	1990 → 1996	Normal
3	Bmw	Serie 3 (E90)	4	2005 → 2012	Fix Point	9	Mazda	5 (CR-CW)	5	2005 → 2015	Fix Point	21	Renault	Clio II \ Clio Storia	5	1998 → 2005	Normal
3	Bmw	Serie 3 (F30)	4	2012 → 2019	Fix Point	9	Mazda	6 (GH)	4	2007 → 2012	Fix Point	21	Renault	R21	5	1989 → 1994	Normal
3	Bmw	Serie 3 Coupè (E92)	3	2006 → 2014	Fix Point	10	Alfa Romeo	Mito	3	2008 → 2018	Fix Point	22	Citroen	Berlingo I	3-5	1996 → 2008	Normal
3	Bmw	Serie 3 Touring (E46)	5	1999 → 2002	Fix Point	11	Fiat	Panda III	5	2012 →	Fix Point	22	Citroen	Xsara Picasso	5	1999 → 2010	Normal
3	Bmw	Serie 3 Touring (E46)	5	2003 → 2005	Fix Point	12	Mercedes	CLA (C117)	4	2013 → 2019	Fix Point	22	Peugeot	Partner - Ranch	3-5	1996 → 2008	Normal
3	Bmw	Serie 3 Touring (E91)	5	2005 → 2012	Fix Point	12	Mercedes	CLA Shooting Brake (X117)	5	2015 → 2019	Fix Point	23	Audi	A3 (8L)	3	1996 → 2003	Normal
3	Bmw	Serie 4 Coupè (F32)	3	2013 → 2020	Fix Point	12	Mercedes	CLA Shooting Brake (X118)	5	2019 →	Fix Point	23	Daewoo	Lanos	5	1997 → 2005	Normal
3	Bmw	Serie 4 Gran Coupè (F36)	4	2014 → 2021	Fix Point	12	Mercedes	Classe A (W176)	5	2012 → 2018	Fix Point	23	Nissan	Micra (K13)	5	2010 → 2017	Normal
4	Peugeot	307	3-5	2001 → 2009	Fix Point	12	Mercedes	Classe A (W177)	5	2018 →	Fix Point	23	Renault	Megane I	5	1996 → 2002	Normal
5	Citroen	C3 II	5	2009 → 2016	Fix Point	12	Mercedes	Classe C Coupè (C204)	2	2011 → 2015	Fix Point	23	Rover	600 (RH)	4	1993 → 1999	Normal
5	Citroen	C5 II	4	2008 → 2017	Fix Point	12	Mercedes	Classe C Coupè (C205)	2	2016 → 2021	Fix Point	23	Suzuki	Alto (HA24)	5	2002 → 2009	Normal
5	DS	3	3	2010 → 2019	Fix Point	12	Mercedes	Classe E Coupè (C207)	2	2009 → 2016	Fix Point	24	Alfa Romeo	75	4	1985 → 1992	Normal
5	Peugeot	207	3-5	2006 → 2015	Fix Point	13	Mercedes	Classe A (W169)	3-5	2004 → 2012	Fix Point	24	Mercedes	190 (W201)	4	1982 → 1993	Normal
5	Peugeot	407	3-4	2004 → 2012	Fix Point	13	Mercedes	Classe B (W245)	5	2005 → 2011	Fix Point	24	Mercedes	Classe C (W202)	4	1993 → 2000	Normal
6	Dacia	Dokker	3-5	2012 → 2021	Fix Point	14	Ford	C-Max I	3-5	2003 → 2010	Fix Point	24	Mercedes	Classe C (W203)	4	2000 → 2007	Normal
6	Mercedes	Citan (W420)	3-5	2022 →	Fix Point	14	Ford	Focus II	3-5	2004 → 2011	Fix Point	24	Mercedes	Classe E (W210)	4	1995 → 2002	Normal
6	Nissan	Kubistar (X76)	3-5	2003 → 2009	Fix Point	14	Ford	Focus II SW	5	2004 → 2011	Fix Point	24	Toyota	Avenis (T25)	4-5	2003 → 2009	Normal
6	Nissan	Townstar	3-5	2022 →	Fix Point	14	Opel	Zafira B Cosmo	5	2007 → 2011	Fix Point	24	Toyota	Prius+ (XV40)	5	2012 → 2021	Normal
6	Renault	Kangoo I	3-5	1998 → 2007	Fix Point	15	Fiat	Punto I	3	1993 → 1999	Normal	25	Citroen	Saxo	5	1996 → 2005	Normal
6	Renault	Kangoo III	3-5	2022 →	Fix Point	16	Citroen	C6	4	2005 → 2012	Fix Point	25	Daihatsu	Terios	5	1997 → 2005	Normal
6	Volkswagen	Caddy	3-5	2003 → 2015	Fix Point	16	Peugeot	308	3-5	2007 → 2013	Fix Point	25	Ford	Fiesta IV	5	1995 → 2002	Normal
6	Volkswagen	Caddy	3-5	2015 → 2020	Fix Point	16	Peugeot	3008 I	5	2009 → 2016	Fix Point	25	Mazda	121 (JASM-JBSM)	5	1996 → 2001	Normal

K/I/T	Marca	Vettura	P	Anno	Tetto	K/I/T	Marca	Vettura	P	Anno	Tetto	K/I/T	Marca	Vettura	P	Anno	Tetto
25	Nissan	Micra (K11)	5	1992 → 2003	Normal	33	Toyota	Yaris (XP10)	5	1999 → 2005	Normal	36	Volkswagen	T-Cross (No Rails)	5	2019 →	Normal
25	Peugeot	106	5	1991 → 2003	Normal	33	Toyota	Yaris (XP90)	5	2005 → 2011	Normal	36	Volkswagen	Tiguan (5N)	5	2007 → 2016	Normal
25	Peugeot	205	5	1983 → 1998	Normal	33	Toyota	Yaris (XP130)	5	2011 → 2020	Normal	36	Volkswagen	Up	5	2012 →	Normal
25	Seat	Ibiza (021A)	5	1984 → 1993	Normal	35	Honda	Civic (FN)	5	2006 → 2012	Normal	37	Volkswagen	Bora (1J)	4	1998 → 2005	Normal
25	Suzuki	Alto (SS)	3-5	1982 → 1985	Normal	35	Honda	Jazz (GD)	5	2002 → 2008	Normal	37	Volkswagen	Golf IV (1J)	5	1997 → 2003	Normal
25	Suzuki	Alto (CA-CL-HA)	5	1986 → 2002	Normal	35	Hyundai	iX20 (JC)	5	2010 → 2019	Normal	38	Volkswagen	Golf IV (1J)	3	1997 → 2004	Normal
26	Ford	Escort	4	1990 → 1999	Normal	35	Kia	Venga (YN)	5	2010 → 2019	Normal	39	Fiat	Punto II	3	1999 → 2010	Normal
26	Peugeot	306	5	1994 → 2002	Normal	35	Mitsubishi	Pajero Sport (K90)	5	1998 → 2006	Normal	40	Citroen	C4 Aircross	5	2012 → 2017	Fix Point
26	Peugeot	406	4	1995 → 2005	Normal	35	Nissan	Note (E11)	5	2004 → 2014	Normal	40	Hyundai	i20 (GB)	5	2015 → 2020	Fix Point
27	Citroen	Xantia	5	1993 → 1998	Normal	35	Seat	Toledo (KG)	4	2013 → 2019	Normal	40	Hyundai	i30 (PD)	5	2017 →	Fix Point
27	Lancia	Kappa	4	1994 → 2001	Normal	35	Skoda	Rapid (NH)	4	2013 → 2019	Normal	40	Kia	Cee'd (CD)	5	2018 →	Fix Point
27	Peugeot	405	4	1987 → 1996	Normal	35	Subaru	Trezia	5	2011 → 2016	Normal	40	Kia	Soul	5	2014 → 2018	Fix Point
28	Ford	Fiesta III	3	1989 → 1995	Fix Point	35	Toyota	Verso S	5	2011 → 2017	Normal	40	Mazda	3 (BK)	4-5	2004 → 2009	Fix Point
28	Ford	Fiesta IV	3	1995 → 2002	Fix Point	35	Volvo	V50	5	2004 → 2012	Normal	40	Mazda	3 (BL)	4-5	2009 → 2013	Fix Point
28	Ford	Sierra II	5	1987 → 1993	Fix Point	36	Audi	A3 Sportback (8P)	5	2004 → 2012	Normal	40	Mazda	CX-5 (KE)	5	2012 → 2017	Fix Point
28	Mazda	121 (JASM-JBSM)	3	1996 → 2001	Fix Point	36	Audi	Q5 Sportback (FYT)	5	2021 → 2025	Normal	40	Mitsubishi	ASX I	5	2010 → 2022	Fix Point
28	Opel	Astra F	3-5	1991 → 1998	Fix Point	36	Ford	Ecosport (no rails)	5	2012 → 2023	Normal	40	Mitsubishi	Lancer (CY0-CX)	4-5	2008 → 2015	Fix Point
28	Opel	Astra G	3-5	1998 → 2004	Fix Point	36	Ford	Fiesta VII	5	2018 → 2024	Normal	40	Mitsubishi	Lancer Evo 10	4	2008 → 2016	Fix Point
28	Opel	Astra G SW	5	1998 → 2004	Fix Point	36	Hyundai	i10 (AC3)	5	2020 →	Normal	40	Peugeot	4008	5	2012 → 2017	Fix Point
28	Opel	Calibra	3	1990 → 1997	Fix Point	36	Hyundai	Ioniq	4	2016 → 2022	Normal	41	Citroen	C5 I	4	2000 → 2008	Normal
28	Opel	Corsa B	3-5	1993 → 2000	Fix Point	36	Kia	Rio (UB)	5	2011 → 2017	Normal	41	Skoda	Fabia (5J)	5	2007 → 2014	Normal
28	Opel	Corsa C	3-5	2000 → 2006	Fix Point	36	Leapmotor	T03	5	2020 →	Normal	42	Mercedes	Classe B (W246)	5	2011 → 2018	Fix Point
28	Opel	Kadett E	3-5	1984 → 1991	Fix Point	36	Mini	Clubman (F54) ***	5	2015 → 2024	Normal	42	Mercedes	Classe B (W247)	5	2019 →	Fix Point
28	Opel	Tigra A	3	1994 → 2000	Fix Point	36	Seat	Altea (5P)	5	2004 → 2015	Normal	42	Mercedes	Classe C (W204)	4	2007 → 2013	Fix Point
28	Renault	Scenic I	5	1996 → 2003	Fix Point	36	Seat	Leon (1P)	5	2005 → 2012	Normal	42	Mercedes	Classe C (W205)	4	2014 → 2021	Fix Point
28	Renault	Scenic I	5	1996 → 2003	Normal	36	Seat	Mii (KF1)	5	2012 → 2021	Normal	42	Mercedes	Classe E (W212)	4	2009 → 2016	Fix Point
28	Seat	Toledo (1L)	5	1991 → 1999	Fix Point	36	Seat	Toledo (5P)	5	2004 → 2009	Normal	43	Ford	Fiesta V	3	2002 → 2008	Normal
29	Renault	Clio I	5	1990 → 1998	Normal	36	Skoda	Citigo	5	2012 → 2020	Normal	43	Lancia	Ypsilon I	3	2003 → 2011	Normal
29	Renault	R19	5	1988 → 1995	Normal	36	Ssangyong	Tivoli	5	2015 → 2023	Normal	44	Ford	KA+	5	2016 → 2019	Normal
30	Peugeot	206	5	1998 → 2012	Normal	36	Tata	Indica	5	2010 → 2017	Normal	44	Hyundai	Atos Prime (MX)	5	1997 → 2008	Normal
31	Fiat	Punto II	5	1999 → 2010	Normal	36	Toyota	Auris (E18)	5	2013 → 2018	Normal	44	Kia	Picanto (BA)	5	2004 → 2011	Normal
32	Audi	A3 (8P)	3	2003 → 2012	Normal	36	Volkswagen	Golf V (1K)	5	2003 → 2008	Normal	44	Renault	Laguna I	5	1993 → 2001	Normal
32	Bmw	Serie 5 (E60)	4	2003 → 2010	Normal	36	Volkswagen	Golf V Plus (1K)	5	2005 → 2014	Normal	44	Toyota	Avenis (T22)	4-5	1997 → 2003	Normal
32	Tata	Xenon (Pick Up)	4	2007 → 2012	Normal	36	Volkswagen	Golf VI (5K)	5	2008 → 2012	Normal	44	Toyota	Carina (T17)	5	1987 → 1993	Normal
32	Toyota	Hilux	4	2005 → 2015	Normal	36	Volkswagen	Passat (B6)	4	2005 → 2013	Normal	46	Fiat	Cinquecento	3	1991 → 1998	Normal
33	Citroen	C3 I	5	2002 → 2009	Normal	36	Volkswagen	Polo IV (9N)	3	2001 → 2009	Normal	46	Fiat	Seicento	3	1998 → 2010	Normal
33	Daihatsu	Sirion II	5	2005 → 2016	Normal	36	Volkswagen	Polo IV (9N)	5	2001 → 2009	Normal	47	Opel	Astra H	3	2004 → 2011	Fix Point
33	Nissan	Pixo (UA0)	5	2009 → 2014	Normal	36	Volkswagen	Polo V (6R)	5	2009 → 2017	Normal	47	Opel	Astra H	5	2004 → 2011	Fix Point
33	Suzuki	Alto (HA25)	5	2008 → 2014	Normal	36	Volkswagen	Taigo	5	2022 →	Normal	47	Opel	Astra H SW	5	2004 → 2011	Fix Point

EasyOne EVO per codice - \*\*\* Portata limitata a 50kg

KIT	Marca	Vettura	P	Anno	Tetto	KIT	Marca	Vettura	P	Anno	Tetto	KIT	Marca	Vettura	P	Anno	Tetto
48	Alfa Romeo	147	5	2000 → 2010	Normal	59	Mercedes	Classe A (W168)	5	1997 → 2004	Normal	66	Volkswagen	Golf VII (5G)	5	2012 → 2020	Normal
49	Citroen	C1 I	5	2005 → 2014	Normal	59	Peugeot	108	5	2014 → 2021	Normal	67	Abarth	500	3	2007 → 2015	Normal
49	Peugeot	107	5	2005 → 2014	Normal	59	Toyota	Aygo (AB40)	5	2014 → 2021	Normal	67	Fiat	500	3	2007 → 2024	Normal
49	Renault	Laguna II	5	2001 → 2007	Normal	59	Toyota	Aygo X	5	2022 →	Normal	68	Ford	Focus III	5	2011 → 2018	Normal
49	Toyota	Aygo (AB10)	5	2005 → 2014	Normal	60	Fiat	Panda I	3	1979 → 2003	Normal	69	Opel	Adam	3	2013 → 2019	Fix Point
50	Ford	B-Max	5	2012 → 2018	Normal	60	Seat	Marbella (28)	3	1986 → 1998	Normal	69	Opel	Corsa D	3-5	2006 → 2015	Fix Point
52	Citroen	Saxo	3	1996 → 2004	Normal	63	Seat	Ibiza (6L)	3	2002 → 2008	Normal	69	Opel	Corsa E	3-5	2015 → 2019	Fix Point
52	Nissan	Micra (K11)	3	1992 → 2003	Normal	63	Seat	Ibiza (6L)	5	2002 → 2008	Normal	69	Opel	Meriva A	5	2003 → 2010	Fix Point
52	Peugeot	106	3	1991 → 2003	Normal	64	DR	PK8	4	2022 →	Normal	69	Opel	Meriva B	5	2010 → 2017	Fix Point
53	Dacia	Sandero I	5	2008 → 2012	Fix Point	64	EVO	Cross 4	4	2022 →	Normal	69	Opel	Zafira C (Tourer)	5	2011 → 2018	Fix Point
53	Dacia	Sandero II	5	2012 → 2020	Fix Point	64	MG	MG4	5	2022 →	Normal	70	Opel	Astra J	3-5	2009 → 2015	Fix Point
53	Renault	Grand Modus	5	2008 → 2013	Fix Point	64	Seat	Ibiza (6J-6P)	5	2008 → 2017	Normal	70	Opel	Astra J Berlina	4	2012 → 2018	Fix Point
53	Renault	Modus	5	2004 → 2013	Fix Point	65	Audi	A1 Sportback (8X)	5	2011 → 2018	Normal	70	Skoda	Fabia (6Y)	5	1999 → 2007	Fix Point
55	Ford	Fiesta V	5	2002 → 2008	Normal	65	Citroen	C4 II	5	2010 → 2018	Normal	70	Volkswagen	Polo III (6N)	3-5	1995 → 2001	Fix Point
55	Ford	Fiesta VI	5	2008 → 2017	Normal	65	DS	4	5	2011 → 2018	Normal	71	Mazda	3 (BM)	5	2013 → 2019	Normal
55	Ford	Fusion	5	2002 → 2012	Normal	65	DS	5	5	2012 → 2018	Normal	72	Bmw	Serie 2 Active Tourer (F45)	5	2014 → 2021	Normal
55	Hyundai	i10 (IA-BA)	5	2014 → 2020	Normal	65	Fiat	500 L	5	2012 → 2023	Normal	72	Skoda	Fabia (Nu)	5	2015 → 2022	Normal
56	Abarth	Punto	3	2005 → 2014	Normal	65	Fiat	500 L Living	5	2013 → 2020	Normal	75	Jeep	Avenger	5	2023 →	Normal
56	Fiat	Grande Punto \ P. Evo	3	2005 → 2018	Normal	65	Fiat	Bravo II	5	2007 → 2014	Normal	75	Lancia	Ypsilon III	5	2024 →	Normal
57	Alfa Romeo	159	4	2005 → 2013	Normal	65	Lancia	Delta	5	2008 → 2014	Normal	75	Mitsubishi	ASX II	5	2023 →	Normal
57	Alfa Romeo	159 SW	5	2005 → 2013	Normal	65	Lancia	Ypsilon II	5	2011 → 2024	Normal	75	Opel	Corsa F	5	2019 →	Normal
57	Chevrolet	Aveo II	5	2011 → 2016	Normal	65	Opel	Astra K	5	2015 → 2021	Normal	75	Opel	Grandland X	5	2017 → 2024	Normal
57	Chevrolet	Kalos	5	2005 → 2008	Normal	65	Opel	Crossland X	5	2017 → 2024	Normal	75	Peugeot	208	5	2019 →	Normal
57	Chevrolet	Spark	5	2010 → 2016	Normal	65	Opel	Insignia A	4	2008 → 2017	Normal	75	Peugeot	308	5	2013 → 2021	Normal
57	Daewoo	Kalos	5	2002 → 2005	Normal	65	Peugeot	208	5	2012 → 2019	Normal	75	Peugeot	308 II	5	2016 → 2023	Normal
57	Daihatsu	Sirion	5	1998 → 2005	Normal	65	Peugeot	508	4	2011 → 2018	Normal	75	Peugeot	308 SW	5	2016 → 2021	Normal
57	Hyundai	i10 (PA)	5	2007 → 2013	Normal	65	Renault	Captur I	5	2013 → 2019	Normal	75	Renault	Captur II	5	2019 →	Normal
57	Nissan	Juke (F15)	5	2010 → 2019	Normal	65	Renault	Clio IV	5	2012 → 2019	Normal	76	Fiat	Tipo	5	2016 →	Normal
57	Seat	Arosa (6H)	3	1997 → 2005	Normal	65	Renault	Megane III	5	2008 → 2015	Normal	76	Fiat	Tipo Berlina	4	2015 →	Normal
57	Toyota	Urban Cruiser	5	2009 → 2014	Normal	65	Renault	Megane IV	5	2016 →	Normal	77	Cupra	Leon (KL)	5	2020 →	Normal
57	Volkswagen	Lupo (6X)	3	1998 → 2005	Normal	65	Renault	Scenic III	5	2009 → 2016	Normal	77	Seat	Leon (KL)	5	2020 →	Normal
57	Volkswagen	Passat (B5)	4	1996 → 2005	Normal	65	Renault	Scenic III X-Mod	5	2009 → 2016	Normal	77	Volkswagen	Golf VIII	5	2020 →	Normal
58	Fiat	Panda II	5	2003 → 2012	Fix Point	65	Renault	Talisman	4	2016 → 2022	Normal	78	Audi	Q2 (GA)	5	2017 →	Normal
59	Audi	A4 (B6)	4	2000 → 2004	Normal	65	Renault	Twingo III	5	2014 →	Normal	79	Citroen	C3 III	5	2017 → 2024	Normal
59	Citroen	AX	5	1986 → 1998	Normal	65	Volkswagen	Jetta (1B)	4	2010 → 2018	Normal	79	Polestar	2	4	2020 →	Normal
59	Citroen	C1 II	5	2014 → 2021	Normal	65	Volvo	V40 II	5	2012 → 2019	Normal	79	Volvo	V60	5	2010 → 2018	Normal
59	Hyundai	i20 (PB)	5	2008 → 2014	Normal	66	Peugeot	208	3	2012 → 2019	Normal	80	Dacia	Sandero III	5	2021 →	Normal
59	Kia	Picanto (TA)	5	2011 → 2017	Normal	66	Seat	Leon (5F)	5	2013 → 2020	Normal	80	Ford	Focus IV	5	2018 →	Normal

KIT	Marca	Vettura	P	Anno	Tetto	KIT	Marca	Vettura	P	Anno	Tetto	KIT	Marca	Vettura	P	Anno	Tetto
80	Opel	Grandland	5	2025 →	Normal	86	Mitsubishi	L200 Double Cab (KJ)	4	2016 →	Fix Point	98	Toyota	Corolla (E210)	5	2019 →	Normal
80	Peugeot	3008 III	5	2024 →	Normal	86	Mitsubishi	L200 Single Cab (KJ)	2	2016 →	Fix Point	99	Mercedes	Classe A Sedan (V177)	4	2019 →	Fix Point
80	Renault	Arkana	5	2021 →	Normal	86	Mitsubishi	Triton Double Cab (KK-KL)	4	2016 →	2023	100	Toyota	Prius (XW20)	5	2003 →	2009
80	Skoda	Fabia (PJ3)	5	2022 →	Normal	86	Mitsubishi	Triton Single Cab (KK-KL)	2	2016 →	2023	100	Toyota	Rav4 (XA40)	5	2013 →	2018
81	Volkswagen	T-Roc (A11)	5	2017 →	2025	87	Seat	Ibiza (KJ1)	5	2017 →	Normal	101	Toyota	Yaris Cross	5	2020 →	Normal
82	Alfa Romeo	Giulia	4	2016 →	Normal	88	Renault	Clio III	5	2005 →	2012	102	Toyota	Hilux	4	2016 →	Normal
82	Citroen	C4 III	5	2021 →	Normal	89	Audi	A1 Sportback (GB)	5	2018 →	Normal	103	BYD	Dolphin	5	2023 →	Normal
82	Volvo	S40	4	2004 →	2012	89	Audi	A3 Sportback (8V)	5	2020 →	Normal	103	BYD	Han	4	2020 →	Normal
83	Fiat	500 X ***	5	2015 →	2024	89	Volvo	C40	5	2022 →	Normal	103	DR	3	5	2018 →	Normal
84	Audi	A3 Sportback (8V)	5	2012 →	2020	90	Ford	Puma	5	2020 →	Normal	103	Lexus	ES (XZ10)	4	2018 →	Normal
84	Citroen	C3 IV	5	2024 →		90	Kia	EV6	5	2022 →	Normal	103	Toyota	Prius (XW60)	5	2022 →	Normal
84	Citroen	C3 IV	5	2024 →	Normal	90	Kia	Niro (SG2)	5	2021 →	Normal	104	Citroen	C4 X	5	2023 →	Normal
84	Citroen	C3 IV Aircross	5	2025 →	Normal	90	Mazda	CX-30 (DM)	5	2020 →	Normal	104	Peugeot	308	5	2021 →	Normal
84	Cupra	Tavascan	5	2024 →	Normal	91	BMW	Serie 1 (F40)	5	2019 →	2025	104	Peugeot	408	5	2023 →	Normal
84	Ford	C-Max II	5	2010 →	2019	91	BMW	Serie 1 (F70)	5	2025 →	Fix Point	104	Peugeot	308 SW	5	2022 →	Normal
84	Mitsubishi	Colt	5	2023 →	Normal	91	BMW	Serie 3 (G20)	4	2019 →	Fix Point	105	Fiat	500	3	2025 →	Normal
84	Nissan	Qashqai (J11)	5	2014 →	2021	92	DS	3	5	2018 →	Normal	105	Fiat	500 e	3	2020 →	Normal
84	Opel	Frontera	5	2025 →	Normal	92	DS	3 Crossback	5	2018 →	Normal	107	Citroen	C5X	5	2022 →	Normal
84	Renault	Clio V	5	2019 →	Normal	92	Peugeot	2008	5	2020 →	Normal	108	Alfa Romeo	Giulietta	5	2010 →	2020
84	Renault	Clio VI	5	2026 →	Normal	93	Hyundai	i20 (BC3)	5	2021 →	Normal	110	DS	4	5	2021 →	Normal
84	Skoda	Scala	5	2019 →	Normal	94	Nissan	Micra (K14)	5	2017 →	2024	111	Nissan	X-Trail (T33)	5	2022 →	Fix Point
84	Toyota	Prius (XW50)	5	2015 →	2022	95	Volkswagen	Polo VI (AW)	5	2018 →	Normal	112	EVO	3	5	2022 →	Normal
84	Volkswagen	Passat (B8)	4	2015 →	2023	96	Mazda	CX-3 (DK)	5	2015 →	Normal	112	EVO	Electric	5	2022 →	Normal
85	Volvo	S60	4	2010 →	2018	96	Mazda	MX-30 (DR)	5	2021 →	Normal	113	Kia	Rio (YB)	5	2017 →	2023
86	Fiat	Fullback Double Cab	4	2016 →	2018	96	Seat	Ateca (KH)	5	2016 →	Normal	114	Fiat	Grande Panda	5	2025 →	Normal
86	Fiat	Fullback Single Cab	2	2016 →	2018	97	Mazda	2 (DL-DJ)	5	2015 →	2021						

Note:

## TABELLA APPLICATIVA VEICOLI COMMERCIALI



### ALTEZZA TETTO

H1: Altezza Standard (Tetto Basso)  
H2: Altezza Media (Tetto Medio)  
H3: Altezza Massima (Tetto Alto)

### LUNGHEZZA VEICOLO

L1: Lunghezza Minore  
L2: Lunghezza Media  
L3: Lunghezza Massima

### ACCESSORI FERMA CARICO 156.700

Fermacarico con chiusura a a morsetto, Compatibile solo con barre in acciaio Pro 156.535, 156.550 e 156.570



### ACCESSORI FERMA CARICO PRO PLUS 164.071

Fermacarico con chiusura rapida a camma. Compatibile solo con barre in alluminio Pro Plus 164.035, 156.550 e 156.570



### SPONDA LATERALE 164.077 (120Cm) - 164.078 (150Cm) - 164.080 (200Cm)

Sponda in alluminio applicabile su tutte le famiglie di barra, disponibile in 3 lunghezze.

Necessario l'acquisto del kit di fissaggio per alle barre per l'installazione.



### RULLO CARICA SCALE SCORREVOLE REGOLABILE - 164.072 (60Cm) - 164.073 (90Cm)

Rullo con sistema regolabile, compatibile su ogni famiglia di barra. Disponibile in due lunghezze

### DEFLETTORE ARIA - 164.082 (60Cm) - 164.083 (90Cm)

Deflettore aria da installare sulla prima traversa, applicabile su ogni famiglia di barra. Disponibile in due lunghezze

### PORTATA MASSIMA

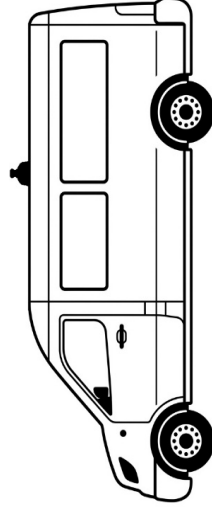
La portata massima trasportabile dal sistema PRO PLUS Greenvalley equivale a 50kg per ogni barra installata.

**Attenzione:** controllare sempre il libretto del proprio veicolo e verificare la portata massima ammissibile dichiarata dal costruttore.

In caso di differenze tra portata massima dichiarata dal costruttore e dal sistema Greenvalley, tenere in considerazione la portata minore tra le due

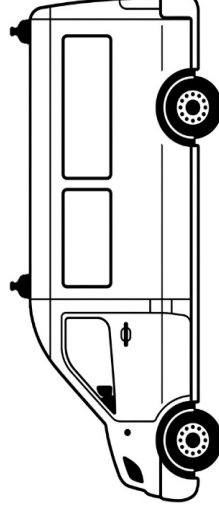
### NOTE IMPORTANTI

La lunghezza delle sponde consigliate e il rullo sono in base al layout previsto dall'ufficio tecnico per ogni kit, in caso di posizione differente, o non vincolante (nella casualità di più punti fissi sul tetto) verificare l'interasse delle barre montate prima di effettuare l'acquisto: 170Cm MAX di distanza tra interasse ultime due barre + sbalzo per il rullo.



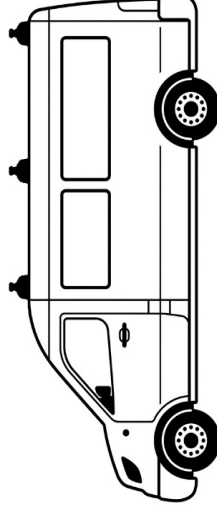
### 1 BARRA

Inutile acquistata singolarmente (equipaggia il punto centrale). Occorre sempre acquistare un kit 2



### 2 BARRE

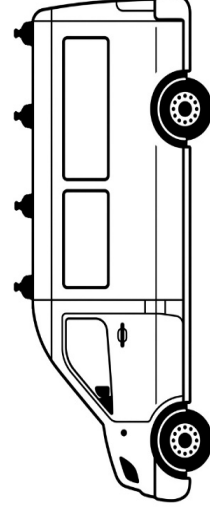
Equipaggiano il primo e l'ultimo punto fisso del veicolo.



### 3 BARRE

Combinazione kit 1 barra + kit 2 barre.

Permettono l'equipaggiamento di 3 punti fissi del veicolo.



### 4 BARRE

Combinazione di N°2 kit 2 barre

Permettono l'equipaggiamento di 4 punti fissi del veicolo

Applicazioni Barre PRO / PRO PLUS				KIT				TRAVERSE						ACCESSORI							
VEICOLO	H TETTO	L VEICOLO	ANNO	2 BARRE (4 Piedi)	3 BARRE (6 Piedi)	1 BARRA (2 Piedi)	Cm 135	Cm 150		Cm 170	SPONDA LATERALE			KIT FISSAGGIO		RULLO		DEFLETTORE			
								Acc	All		164.035	156.550	164.050	Acc	All	164.070	120 Cm (164.077)	150 Cm (164.078)	200 Cm (164.080)	2 Fix (164.084)	3 Fix (164.085)
<b>CITROEN</b>																					
Berlingo	H1	L1+L2	2008 → 2018	1023	1023 + 1024	1024	•			All 164.070				•	•	•	▲		▲	▲	
Berlingo	H1	4403 mm	2018 →	1031	1031 + 1032	1032	•			Acc 156.570					•	•	▲		▲	▲	
Berlingo XL	H1	4753 mm	2018 →	1033	1033 + 1032	1032	•			All 164.050					•	•	•		•	•	
Jumper	H1+H2	L1+L2+L3	1994 → 2006	<b>156.757*</b>	156.757 + 1010	1010				Acc 156.535	•				•	•	•		•	•	
Jumper	H1+H2	L1+L2+L3	2006 →	<b>156.753*</b>	156.753 + 1004	1004				All 164.035	•				•	•	•		•	•	
Jumpy	H1	L1	1994 → 2007	1011	1011 + 1012	1012	•			Acc 156.550	•				•	•	•		•	•	
Jumpy	H1	L1+L2	2007 → 2016	156.752	156.752 + 1003	1003				All 164.050		•			•	•	•		•	•	
Jumpy	H1	L1+L2+L3	2016 →	1029	1029 + 1030	1030				Acc 156.535	•				•	•	•		•	•	
Nemo	H1	L1	2008 → 2017	1001	1001 + 1002	1002	•			All 164.035	•				•	•	•		•	•	
SpaceTourer	H1	L1+L2+L3	2016 →	1029	1029 + 1030	1030				Acc 156.535	•				•	•	•		•	•	
<b>DACIA</b>																					
Dokker	H1	L1	2012 → 2021	156.766			•			All 164.035	•				•	•	•		•	•	
Logan Van	H1	L1	2007 → 2012	156.762			•			Acc 156.535	•				•	•	•		•	•	
<b>FIAT</b>																					
Doblò I	H1	L1+L2	2001 → 2009	1013	1013 + 1014	1014	•			All 164.035	•				•	•	•		•	•	
Doblò II	H1	L1+L2	2010 → 2022	1017	1017 + 1018	1018	•			Acc 156.570	•				•	•	•		•	•	
Doblò III	H1	4403 mm	2022 →	1031	1031 + 1032	1032	•			All 164.050	•				•	•	•		•	•	
Doblò III Maxi	H1	4753 mm	2022 →	1033	1033 + 1032	1032	•			Acc 156.550	•				•	•	•		•	•	
Ducato	H1+H2	L1+L2+L3	1994 → 2006	<b>156.757*</b>	156.757 + 1010	1010				All 164.035	•				•	•	•		•	•	
Ducato	H1+H2	L1+L2+L3	2006 →	<b>156.753*</b>	156.753 + 1004	1004				Acc 156.535	•				•	•	•		•	•	
Fiorino - Qubo	H1	L1	2008 → 2024	1001	1001 + 1002	1002	•			All 164.035	•				•	•	•		•	•	
Scudo	H1	L1	1996 → 2007	1011	1011 + 1012	1012	•			Acc 156.550	•				•	•	•		•	•	
Scudo	H1	L1+L2	2007 → 2016	156.752	156.752 + 1003	1003				All 164.035	•				•	•	•		•	•	
Scudo	H1	L1+L2+L3	2022 →	1029	1029 + 1030	1030				Acc 156.535	•				•	•	•		•	•	
Talento	H1	L1+L2	2016 → 2022	156.774	156.774 + 1028	1028				All 164.035	•				•	•	•		•	•	
Ulysse	H1	L1+L2+L3	2022 →	1029	1029 + 1030	1030				Acc 156.535	•				•	•	•		•	•	
<b>FORD</b>																					
Connect Tourneo	H1	L1	2002 → 2012	1043			•			All 164.035	•				•	•	•		•	•	
Connect Tourneo	H1	L1+L2	2021 →	1015	1015 + 1034	1034	•			Acc 156.570	•				•	•	•		•	•	
Connect Transit	H1	L1	2002 → 2012	1043			•			All 164.035	•				•	•	•		•	•	
Connect Transit	H1	L1+L2	2014 → 2021	1021	1021 + 1022	1022	•			Acc 156.550	•				•	•	•		•	•	
Connect Transit	H1	L1+L2	2021 →	1015	1015 + 1034	1034	•			All 164.035	•				•	•	•		•	•	
Courier Tourneo	H1	L1+L2	2024 →	1038			•			Acc 156.535	•				•	•	•		•	•	
Courier Transit	H1	L1+L2	2024 →	1038			•			All 164.035	•				•	•	•		•	•	

I codici "2 barre" evidenziati con \* in grassetto indicano la possibilità di equipaggiare 4 barre con l'acquisto di 2 unità del codice

Gli accessori indicati con ▲ indicano che non è possibile montare Rullo e Deflettore contemporaneamente (contattare l'ufficio tecnico per maggiori informazioni in caso di necessità)

Applicazioni Barre PRO / PRO PLUS				KIT			TRAVERSE						ACCESSORI								
VEICOLO	H TETTO	L VEICOLO	ANNO	2 BARRE (4 Piedi)	3 BARRE (6 Piedi)	1 BARRA (2 Piedi)	Cm 135		Cm 150		Cm 170		SPONDA LATERALE			KIT FISSAGGIO		RULLO		DEFLETTORE	
							Acc 156.535	All 164.035	Acc 156.550	All 164.050	Acc 156.570	All 164.070	120 Cm (164.077)	150 Cm (164.078)	200 Cm (164.080)	2 Fix (164.084)	3 Fix (164.085)	60 Cm (164.072)	90 Cm (164.073)	60 Cm (164.082)	90 Cm (164.083)
<b>MERCEDES</b>																					
Custom Tourneo	H1	L1+L2	2012 → 2024	1039	1039 + 1040	1040															
Custom Tourneo	H1	L1+L2	2024 →	1039	1039 + 1040	1040															
Custom Transit	H1	L1+L2	2012 → 2024	1039	1039 + 1040	1040															
Custom Transit	H1	L1+L2	2024 →	1039	1039 + 1040	1040															
<b>NISSAN</b>																					
Citan (W415)	H1	L1+L2	2012 → 2021	1041																	
Citan (W415)	H1	L3	2014 → 2021	1041	1041 + 1020	1020															
Citan (W420)	H1	L1	2022 →	1037	1037 + 1036	1036															
Viano (W639)	H1	L1+L2	2003 → 2014	1008	1008 + 1009	1009															
Vito (W639)	H1	L1+L2	2003 → 2014	1008	1008 + 1009	1009															
Vito (W477)	H1	L1+L2	2015 →	1008	1008 + 1009	1009															
<b>NISSAN</b>																					
Interstar (X62B)	H1	L1	2021 →	156.763*	156.763 + 1019	1019															
Interstar (X70)	H1+H2	L1+L2	2002 → 2011	156.755*	156.755 + 1007	1007															
Kubistar	H1	L1	2003 → 2009	156.765																	
NV 200 (M20)	H1	L1	2009 → 2021	1025	1025 + 1026	1026															
NV 300	H1	L1+L2	2014 → 2020	156.774	156.774 + 1028	1028															
NV 400	H1	L1	2011 → 2021	156.763*	156.763 + 1019	1019															
NV 250 (L1)	H1	L1	2010 → 2021	1041																	
NV 250 (L2)	H1	L2	2010 → 2021	1041	1041 + 1020	1020															
Primastar	H1	L1+L2	2002 → 2014	1005	1005 + 1006	1006															
Primastar	H1	L1+L2	2021 →	156.774	156.774 + 1028	1028															
Townstar	H1	L1	2022 →	1037	1037 + 1036	1036															
<b>OPEL</b>																					
Combo D	H1	L1+L2	2012 → 2018	1017	1017 + 1018	1018															
Combo E	H1	4403 mm	2018 →	1031	1031 + 1032	1032															
Combo E XL	H1	4753 mm	2018 →	1033	1033 + 1032	1032															
Movano A	H1+H2	L1+L2+L3	1998 → 2010	156.755*	156.755 + 1007	1007															
Movano B	H1+H2	L1+L2+L3	2010 → 2021	156.763*	156.763 + 1019	1019															
Movano C	H1+H2	L1+L2+L3	2021 →	156.753*	156.753 + 1004	1004															
Vivaro A	H1	L1+L2	2001 → 2014	1005	1005 + 1006	1006															
Vivaro B	H1	L1+L2	2014 → 2019	156.774	156.774 + 1028	1028															
Vivaro C	H1	L1+L2	2019 →	1029	1029 + 1030	1030															

I codici "2 barre" evidenziati con \* in grassetto indicano la possibilità di equipaggiare 4 barre con l'acquisto di 2 unità del codice  
Gli accessori indicati con ▲ indicano che non è possibile montare Rullo e Deflettore contemporaneamente (contattare l'ufficio tecnico per maggiori informazioni in caso di necessità)

Applicazioni Barre PRO / PRO PLUS				KIT			TRAVERSE						ACCESSORI								
VEICOLO	H TETTO	L VEICOLO	ANNO	2 BARRE (4 Piedi)	3 BARRE (6 Piedi)	1 BARRA (2 Piedi)	Cm 135		Cm 150		Cm 170		SPONDA LATERALE		KIT FISSAGGIO		RULLO		DEFLETTORE		
							156.535 Acc	164.035 All	156.550 Acc	164.050 All	156.570 Acc	164.070 All	120 Cm (164.077)	150 Cm (164.078)	200 Cm (164.080)	2 Fix (164.084)	3 Fix (164.085)	60 Cm (164.072)	90 Cm (164.073)	60 Cm (164.082)	90 Cm (164.083)
<b>PEUGEOT</b>																					
Bipper	H1	L1	2008 → 2016	1001	1001 + 1002	1002	•														
Boxer	H1+H2	L1+L2+L3	1994 → 2006	<b>156.757*</b>	156.757 + 1010	1010				•											
Boxer	H1+H2	L1+L2+L3	2006 →	<b>156.753*</b>	156.753 + 1004	1004				•											
Expert	H1	L1	1995 → 2006	1011	1011 + 1012	1012	•														
Expert	H1	L1+L2	2007 → 2016	156.752	156.752 + 1003	1003			•												
Expert	H1	L1+L2+L3	2016 →	1029	1029 + 1030	1030			•												
Partner	H1	L1+L2	2008 → 2018	1023	1023 + 1024	1024	•														
Partner	H1	4403 mm	2018 →	1031	1031 + 1032	1032	•														
Partner (L2)	H1	4753 mm	2018 →	1033	1033 + 1032	1032	•														
Traveller	H1	L1+L2+L3	2016 →	1029	1029 + 1030	1030			•												
<b>RENAULT</b>																					
Express	H1	L1	2020 →	1035	1035 + 1036	1036	•														
Kangoo I	H1	L1	1998 → 2007	156.765			•														
Kangoo II	H1	L1+L2+L3	2008 → 2021	1041			•														
Kangoo II Maxi	H1	L3	2010 → 2020	1041	1041 + 1020	1020	•														
Kangoo III	H1	L1	2022 →	1037	1037 + 1036	1036	•														
Master	H1+H2	L1+L2+L3	1998 → 2010	<b>156.755*</b>	156.755 + 1007	1007				•											
Master II	H1+H2	L1+L2+L3	2010 →	<b>156.763*</b>	156.763 + 1019	1019			•												
Trafic	H1	L1+L2	2001 → 2014	1005	1005 + 1006	1006				•											
Trafic	H1	L1+L2	2014 →	156.774	156.774 + 1028	1028				•											
<b>TOYOTA</b>																					
Proace / Proace Verso	H1	L1+L2+L3	2016 →	1029	1029 + 1030	1030				•											
Proace City / City Verso	H1	4403 mm	2020 →	1031	1031 + 1032	1032	•														
Proace City / City Verso (L2)	H1	4753 mm	2020 →	1033	1033 + 1032	1032	•														
Proace Max	H1+H2	L1+L2+L3	2024 →	<b>156.753*</b>	156.753 + 1004	1004				•											
<b>VOLKSWAGEN</b>																					
Caddy	H1	L1+L2	2003 → 2020	1013			•														
Caddy	H1	L1	2021 →	1015	1015 + 1034	1034	•														
Caddy Maxi	H1	L2	2003 → 2020	1013	1013 + 1016	1016	•														
Caddy Maxi	H1	L1	2021 →	1015	1015 + 1034	1034	•														
Transporter T5	H1	L1+L2	2003 → 2015	1042	1042 + 1027	1027				•											
Transporter T6	H1	L1+L2	2015 → 2024	1042	1042 + 1027	1027				•											
Transporter T7	H1	L1+L2	2024 →	1039	1039 + 1040	1040				•											

I codici "2 barre" evidenziati con \* in grassetto indicano la possibilità di equipaggiare 4 barre con l'acquisto di 2 unità del codice

Gli accessori indicati con ▲ indicano che non è possibile montare Rullo e Deflettore contemporaneamente (contattare l'ufficio tecnico per maggiori informazioni in caso di necessità)

# Tabella Applicazione Kit PRO per codice

KIT	N°Barre	MARCA	VEICOLO	ALTEZZA TETTO	LUNGHEZZA VEICOLO	ANNO		Cm 135		Cm 150		Cm 170	
						→	→	Acc	Alu	Acc	Alu	Acc	Alu
								156.535	164.035	156.550	164.050	156.570	164.070
1001	x2	Citroen	Nemo	H1	L1	2008	→	2017	•	•			
1001	x2	Fiat	Fiorino - Qubo	H1	L1	2008	→	2024	•	•			
1001	x2	Peugeot	Bipper	H1	L1	2008	→	2016	•	•			
1002	x1	Citroen	Nemo	H1	L1	2008	→	2017	•	•			
1002	x1	Fiat	Fiorino - Qubo	H1	L1	2008	→	2024	•	•			
1002	x1	Peugeot	Bipper	H1	L1	2008	→	2016	•	•			
1003	x1	Citroen	Jumpy	H1	L1+L2	2007	→	2016		•			
1003	x1	Fiat	Scudo	H1	L1+L2	2007	→	2016		•			
1003	x1	Peugeot	Expert	H1	L1+L2	2007	→	2016		•			
1004	x1	Citroen	Jumper	H1+H2	L1+L2+L3	2006	→				•		•
1004	x1	Fiat	Ducato	H1+H2	L1+L2+L3	2006	→				•		•
1004	x1	Opel	Movano C	H1+H2	L1+L2+L3	2021	→				•		•
1004	x1	Peugeot	Boxer	H1+H2	L1+L2+L3	2006	→				•		•
1004	x1	Toyota	Proace Max	H1+H2	L1+L2+L3	2024	→				•		•
1005	x2	Nissan	Primastar	H1	L1+L2	2002	→	2014			•		•
1005	x2	Opel	Vivaro A	H1	L1+L2	2001	→	2014			•		•
1005	x2	Renault	Trafic	H1	L1+L2	2001	→	2014			•		•
1006	x1	Nissan	Primastar	H1	L1+L2	2002	→	2014			•		•
1006	x1	Opel	Vivaro A	H1	L1+L2	2001	→	2014			•		•
1006	x1	Renault	Trafic	H1	L1+L2	2001	→	2014			•		•
1007	x1	Nissan	Interstar (X70)	H1+H2	L1+L2	2002	→	2011			•		•
1007	x1	Opel	Movano A	H1+H2	L1+L2+L3	1998	→	2010			•		•
1007	x1	Renault	Master	H1+H2	L1+L2+L3	1998	→	2010			•		•
1009	x1	Mercedes	Viano (W639)	H1	L1+L2	2003	→	2014		•			
1009	x1	Mercedes	Vito (W639)	H1	L1+L2	2003	→	2014		•			
1009	x1	Mercedes	Vito (W477)	H1	L1+L2	2015	→			•			
1010	x1	Citroen	Jumper	H1+H2	L1+L2+L3	1994	→	2006			•		•
1010	x1	Fiat	Ducato	H1+H2	L1+L2+L3	1994	→	2006			•		•
1010	x1	Peugeot	Boxer	H1+H2	L1+L2+L3	1994	→	2006			•		•
1011	x2	Citroen	Jumpy	H1	L1	1994	→	2007		•			
1011	x2	Fiat	Scudo	H1	L1	1996	→	2007		•			
1011	x2	Peugeot	Expert	H1	L1	1995	→	2006		•			
1012	x1	Citroen	Jumpy	H1	L1	1994	→	2007		•			
1012	x1	Fiat	Scudo	H1	L1	1996	→	2007		•			
1012	x1	Peugeot	Expert	H1	L1	1995	→	2006		•			

KIT	N°Barre	MARCA	VEICOLO	ALTEZZA TETTO	LUNGHEZZA VEICOLO	ANNO		Cm 135		Cm 150		Cm 170	
						→	→	Acc	Alu	Acc	Alu	Acc	Alu
								156.535	164.035	156.550	164.050	156.570	164.070
1013	x2	Fiat	Doblò I	H1	L1+L2	2001	→ 2009	•	•				
1013	x2	Volkswagen	Caddy	H1	L1+L2	2003	→ 2020	•	•				
1013	x2	Volkswagen	Caddy Maxi	H1	L2	2003	→ 2020	•	•				
1014	x1	Fiat	Doblò I	H1	L1+L2	2001	→ 2009	•	•				
1015	x2	Ford	Connect Tourneo	H1	L1+L2	2021	→	•	•				
1015	x2	Ford	Connect Transit	H1	L1+L2	2021	→	•	•				
1015	x2	Volkswagen	Caddy	H1	L1	2021	→	•	•				
1015	x2	Volkswagen	Caddy Maxi	H1	L1	2021	→	•	•				
1016	x1	Volkswagen	Caddy Maxi	H1	L2	2003	→ 2020	•	•				
1017	x2	Fiat	Doblò II	H1	L1+L2	2010	→ 2022	•	•				
1017	x2	Opel	Combo D	H1	L1+L2	2012	→ 2018	•	•				
1018	x1	Fiat	Doblò II	H1	L1+L2	2010	→ 2022	•	•				
1018	x1	Opel	Combo D	H1	L1+L2	2012	→ 2018	•	•				
1019	x1	Nissan	Interstar (X62B)	H1	L1	2021	→	•	•				
1019	x1	Nissan	NV 400	H1	L1	2011	→ 2021	•	•				
1019	x1	Opel	Movano B	H1+H2	L1+L2+L3	2010	→ 2021	•	•				
1019	x1	Renault	Master II	H1+H2	L1+L2+L3	2010	→	•	•				
1020	x1	Mercedes	Citan (W415)	H1	L3	2014	→ 2021	•	•				
1020	x1	Nissan	NV 250 (L2)	H1	L2	2010	→ 2021	•	•				
1020	x1	Renault	Kangoo II Maxi	H1	L3	2010	→ 2020	•	•				
1021	x2	Ford	Connect Transit	H1	L1+L2	2014	→ 2021	•	•				
1022	x1	Ford	Connect Transit	H1	L1+L2	2014	→ 2021	•	•				
1023	x2	Peugeot	Partner	H1	L1+L2	2008	→ 2018	•	•				
1024	x1	Citroen	Berlingo	H1	L1+L2	2008	→ 2018	•	•				
1024	x1	Peugeot	Partner	H1	L1+L2	2008	→ 2018	•	•				
1025	x2	Nissan	NV 200 (M20)	H1	L1	2009	→ 2021	•	•				
1026	x1	Nissan	NV 200 (M20)	H1	L1	2009	→ 2021	•	•				
1027	x1	Volkswagen	Transporter T5	H1	L1+L2	2003	→ 2015	•	•				
1027	x1	Volkswagen	Transporter T6	H1	L1+L2	2015	→ 2024	•	•				
1028	x1	Fiat	Talento	H1	L1+L2	2016	→ 2022			•	•		
1028	x1	Nissan	NV 300	H1	L1+L2	2014	→ 2020			•	•		
1028	x1	Nissan	Primastar	H1	L1+L2	2021	→			•	•		
1028	x1	Opel	Vivaro B	H1	L1+L2	2014	→ 2019			•	•		
1028	x1	Renault	Trafic	H1	L1+L2	2014	→			•	•		
1029	x2	Citroen	Jumpy	H1	L1+L2+L3	2016	→			•	•		
1029	x2	Citroen	SpaceTourer	H1	L1+L2+L3	2016	→			•	•		
1029	x2	Fiat	Scudo	H1	L1+L2+L3	2022	→			•	•		

KIT	N°Barre	MARCA	VEICOLO	ALTEZZA TETTO	LUNGHEZZA VEICOLO	ANNO	Cm 135		Cm 150		Cm 170	
							Acc	Alu	Acc	Alu	Acc	Alu
							156.535	164.035	156.550	164.050	156.570	164.070
1029	x2	Fiat	Ulysse	H1	L1+L2+L3	2022	→					
1029	x2	Opel	Vivaro C	H1	L1+L2	2019	→					
1029	x2	Peugeot	Expert	H1	L1+L2+L3	2016	→					
1029	x2	Peugeot	Traveller	H1	L1+L2+L3	2016	→					
1029	x2	Toyota	Proace / Proace Verso	H1	L1+L2+L3	2016	→					
1030	x1	Citroen	Jumpy	H1	L1+L2+L3	2016	→					
1030	x1	Citroen	SpaceTourer	H1	L1+L2+L3	2016	→					
1030	x1	Fiat	Scudo	H1	L1+L2+L3	2022	→					
1030	x1	Fiat	Ulysse	H1	L1+L2+L3	2022	→					
1030	x1	Opel	Vivaro C	H1	L1+L2	2019	→					
1030	x1	Peugeot	Expert	H1	L1+L2+L3	2016	→					
1030	x1	Peugeot	Traveller	H1	L1+L2+L3	2016	→					
1030	x1	Toyota	Proace / Proace Verso	H1	L1+L2+L3	2016	→					
1031	x2	Fiat	Doblò III	H1	4403 mm	2022	→	•	•			
1031	x2	Opel	Combo E	H1	4403 mm	2018	→	•	•			
1031	x2	Peugeot	Partner	H1	4403 mm	2018	→	•	•			
1031	x2	Toyota	Proace City / City Verso	H1	4403 mm	2020	→	•	•			
1032	x1	Citroen	Berlingo	H1	4403 mm	2018	→	•	•			
1032	x1	Citroen	Berlingo XL	H1	4753 mm	2018	→	•	•			
1032	x1	Fiat	Doblò III	H1	4403 mm	2022	→	•	•			
1032	x1	Fiat	Doblò III Maxi	H1	4753 mm	2022	→	•	•			
1032	x1	Opel	Combo E	H1	4403 mm	2018	→	•	•			
1032	x1	Opel	Combo E XL	H1	4753 mm	2018	→	•	•			
1032	x1	Peugeot	Partner	H1	4403 mm	2018	→	•	•			
1032	x1	Peugeot	Partner (L2)	H1	4753 mm	2018	→	•	•			
1032	x1	Toyota	Proace City / City Verso	H1	4403 mm	2020	→	•	•			
1032	x1	Toyota	Proace City / City Verso (L2)	H1	4753 mm	2020	→	•	•			
1033	x2	Fiat	Doblò III Maxi	H1	4753 mm	2022	→	•	•			
1033	x2	Opel	Combo E XL	H1	4753 mm	2018	→	•	•			
1033	x2	Peugeot	Partner (L2)	H1	4753 mm	2018	→	•	•			
1033	x2	Toyota	Proace City / City Verso (L2)	H1	4753 mm	2020	→	•	•			
1034	x1	Ford	Connect Tourneo	H1	L1+L2	2021	→	•	•			
1034	x1	Ford	Connect Transit	H1	L1+L2	2021	→	•	•			
1034	x1	Volkswagen	Caddy	H1	L1	2021	→	•	•			
1034	x1	Volkswagen	Caddy Maxi	H1	L1	2021	→	•	•			
1035	x2	Renault	Express	H1	L1	2020	→	•	•			

KIT	N°Barre	MARCA	VEICOLO	ALTEZZA TETTO	LUNGHEZZA VEICOLO	ANNO		Cm 135		Cm 150		Cm 170	
						→	→	Acc	Alu	Acc	Alu	Acc	Alu
1036	x1	Mercedes	Citan (W420)	H1	L1	2022	→	•	•				
1036	x1	Nissan	Townstar	H1	L1	2022	→	•	•				
1036	x1	Renault	Express	H1	L1	2020	→	•	•				
1036	x1	Renault	Kangoo III	H1	L1	2022	→	•	•				
1037	x2	Nissan	Townstar	H1	L1	2022	→	•	•				
1037	x2	Renault	Kangoo III	H1	L1	2022	→	•	•				
1038	x2	Ford	Courier Tourneo	H1	L1+L2	2024	→	•	•				
1038	x2	Ford	Courier Transit	H1	L1+L2	2024	→	•	•				
1039	x2	Ford	Custom Tourneo	H1	L1+L2	2012	→		•	•			
1039	x2	Ford	Custom Tourneo	H1	L1+L2	2024	→		•	•			
1039	x2	Ford	Custom Transit	H1	L1+L2	2012	→		•	•			
1039	x2	Ford	Custom Transit	H1	L1+L2	2024	→		•	•			
1039	x2	Volkswagen	Transporter T7	H1	L1+L2	2024	→		•	•			
1040	x1	Ford	Custom Tourneo	H1	L1+L2	2012	→		•	•			
1040	x1	Ford	Custom Tourneo	H1	L1+L2	2024	→		•	•			
1040	x1	Ford	Custom Transit	H1	L1+L2	2012	→		•	•			
1040	x1	Ford	Custom Transit	H1	L1+L2	2024	→		•	•			
1040	x1	Volkswagen	Transporter T7	H1	L1+L2	2024	→		•	•			
1041	x2	Mercedes	Citan (W415)	H1	L1+L2	2012	→	•	•				
1041	x2	Nissan	NV 250 (L1)	H1	L1	2010	→	•	•				
1041	x2	Nissan	NV 250 (L2)	H1	L2	2010	→	•	•				
1041	x2	Renault	Kangoo II	H1	L1+L2+L3	2008	→	•	•				
1041	x2	Renault	Kangoo II Maxi	H1	L3	2010	→	•	•				
1042	x2	Volkswagen	Transporter T5	H1	L1+L2	2003	→		•	•			
1042	x2	Volkswagen	Transporter T6	H1	L1+L2	2015	→		•	•			
1043	x2	Ford	Connect Tourneo	H1	L1	2002	→	•	•				
1043	x2	Ford	Connect Transit	H1	L1	2002	→	•	•				
1008	x2	Mercedes	Viano (W639)	H1	L1+L2	2003	→		•	•			
1008	x2	Mercedes	Vito (W639)	H1	L1+L2	2003	→		•	•			
1008	x2	Mercedes	Vito (W477)	H1	L1+L2	2015	→		•	•			
1023	x2	Citroen	Berlingo	H1	L1+L2	2008	→	•	•				
1031	x2	Citroen	Berlingo	H1	4403 mm	2018	→	•	•				
1033	x2	Citroen	Berlingo XL	H1	4753 mm	2018	→	•	•				
1037	x2	Mercedes	Citan (W420)	H1	L1	2022	→	•	•				
1041	x2	Mercedes	Citan (W415)	H1	L3	2014	→	•	•				

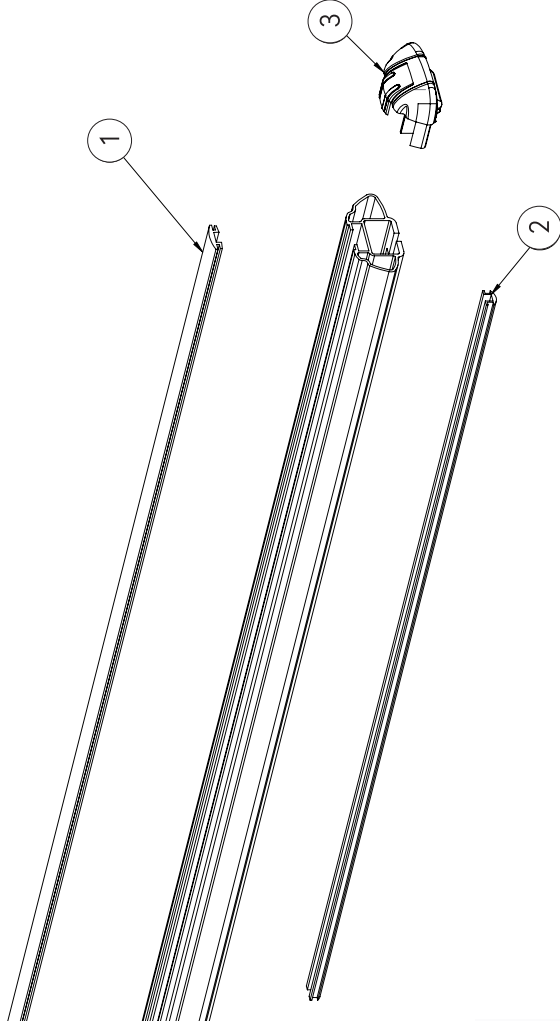
KIT	N°Barre	MARCA	VEICOLO	ALTEZZA TETTO	LUNGHEZZA VEICOLO	ANNO		Cm 135		Cm 150		Cm 170	
								Acc	Alu	Acc	Alu	Acc	Alu
156.752	x2	Citroen	Jumpy	H1	L1+L2	2007 →	2016						
156.752	x2	Fiat	Scudo	H1	L1+L2	2007 →	2016						
156.752	x2	Peugeot	Expert	H1	L1+L2	2007 →	2016						
156.753	x2	Citroen	Jumper	H1+H2	L1+L2+L3	2006 →							
156.753	x2	Fiat	Ducato	H1+H2	L1+L2+L3	2006 →							
156.753	x2	Opel	Movano C	H1+H2	L1+L2+L3	2021 →							
156.753	x2	Peugeot	Boxer	H1+H2	L1+L2+L3	2006 →							
156.753	x2	Toyota	Proace Max	H1+H2	L1+L2+L3	2024 →							
156.755	x2	Nissan	Interstar (X70)	H1+H2	L1+L2	2002 →	2011						
156.755	x2	Opel	Movano A	H1+H2	L1+L2+L3	1998 →	2010						
156.755	x2	Renault	Master	H1+H2	L1+L2+L3	1998 →	2010						
156.757	x2	Citroen	Jumper	H1+H2	L1+L2+L3	1994 →	2006						
156.757	x2	Fiat	Ducato	H1+H2	L1+L2+L3	1994 →	2006						
156.757	x2	Peugeot	Boxer	H1+H2	L1+L2+L3	1994 →	2006						
156.762	x2	Dacia	Logan Van	H1	L1	2007 →	2012	•	•				
156.763	x2	Nissan	Interstar (X62B)	H1	L1	2021 →				•	•		
156.763	x2	Nissan	NV 400	H1	L1	2011 →	2021			•	•		
156.763	x2	Opel	Movano B	H1+H2	L1+L2+L3	2010 →	2021			•	•		
156.763	x2	Renault	Master II	H1+H2	L1+L2+L3	2010 →				•	•		
156.765	x2	Nissan	Kubistar	H1	L1	2003 →	2009	•	•				
156.765	x2	Renault	Kangoo I	H1	L1	1998 →	2007	•	•				
156.766	x2	Dacia	Dokker	H1	L1	2012 →	2021	•	•				
156.774	x2	Fiat	Talento	H1	L1+L2	2016 →	2022					•	•
156.774	x2	Nissan	NV 300	H1	L1+L2	2014 →	2020					•	•
156.774	x2	Nissan	Primastar	H1	L1+L2	2021 →						•	•
156.774	x2	Opel	Vivaro B	H1	L1+L2	2014 →	2019					•	•
156.774	x2	Renault	Trafic	H1	L1+L2	2014 →						•	•

## TABELLA COMPARATIVA KIT PRO VECCHIO - NUOVO

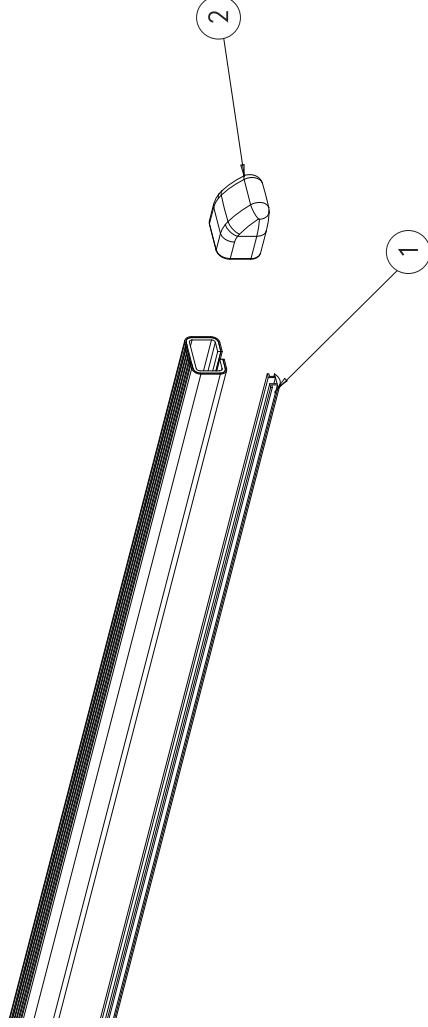
<b>VECCHIO KIT</b>	<b>NUOVO KIT</b>
<b>KIT PRO 4 piedi</b>	<b>4 piedi (2 barre)</b>
156.751	1001
156.752	156.752
156.753	156.753
156.754	1005
156.755	156.755
156.756	1008
156.757	156.757
156.758	1011
156.759	1013
156.760	1013
156.761	1017
156.762	156.762
156.763	156.763
156.764	1041
156.765	156.765
156.766	156.766
156.767	1021
156.768	1023
156.769	1043
156.770	1025
156.771	1042
156.774	156.774
156.775	1029
156.776	1031
156.781	1035
156.782	1037
156.784	1039

<b>VECCHIO KIT</b>	<b>NUOVO KIT</b>	
<b>KIT PRO 6 piedi</b>	<b>4 piedi (2 barre)</b>	<b>2 piedi (1 barra)</b>
156.701	1001	+ 1002
156.702	156.752	+ 1003
156.703	156.753	+ 1004
156.704	1005	+ 1006
156.705	156.755	+ 1007
156.706	1008	+ 1009
156.707	156.757	+ 1010
156.708	1011	+ 1012
156.709	1013	+ 1014
156.710	1013	+ 1016
156.711	1017	+ 1018
156.713	156.763	+ 1019
156.714	1041	+ 1020
156.717	1021	+ 1022
156.718	1023	+ 1024
156.720	1025	+ 1026
156.721	1042	+ 1027
156.724	156.774	+ 1028
156.725	1029	+ 1030
156.726	1031	+ 1032
156.727	1033	+ 1032
156.731	1035	+ 1036
156.732	1037	+ 1036
156.734	1039	+ 1040

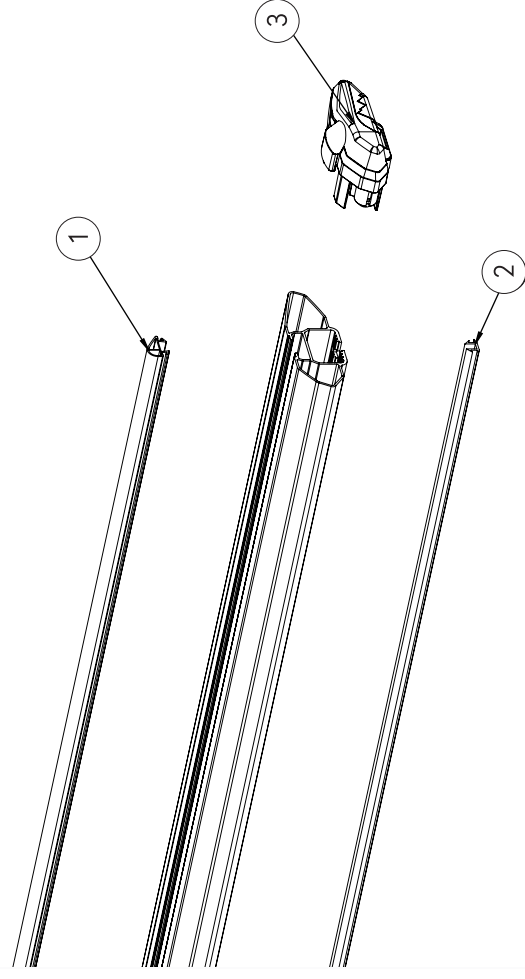
**01 ■ TRAVERSA ALLUMINIO ASIMMETRICA**



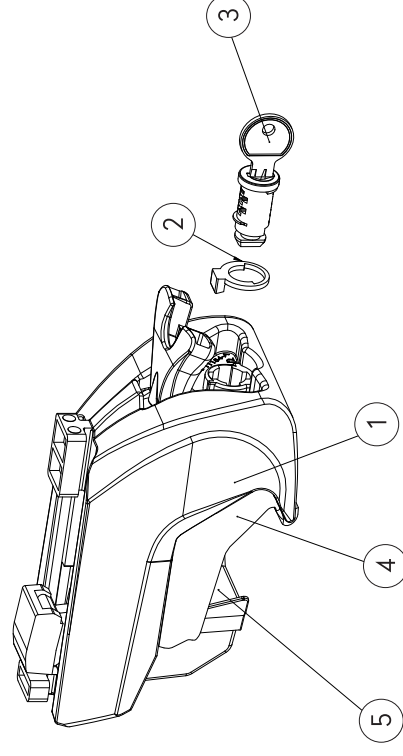
**02 ■ TRAVERSA ACCIAIO**



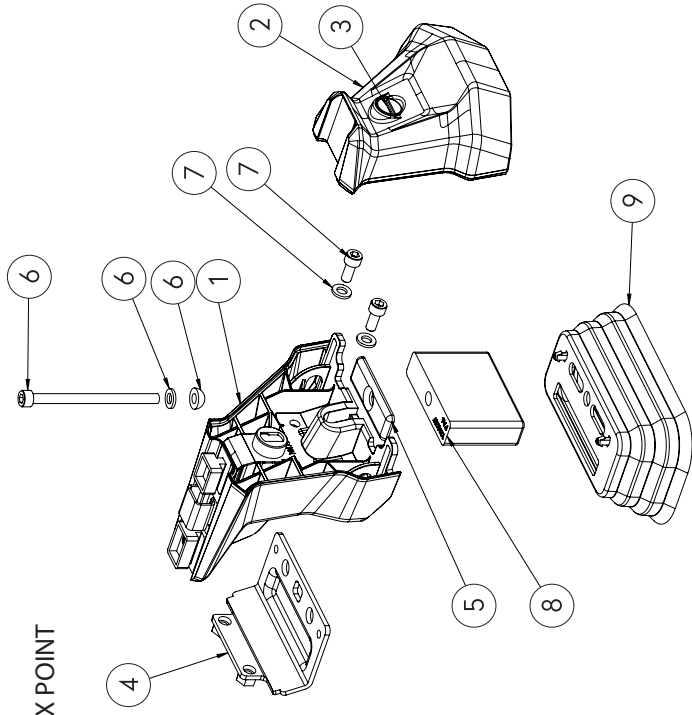
**03 ■ TRAVERSA VENTO - VENTO BLACK**



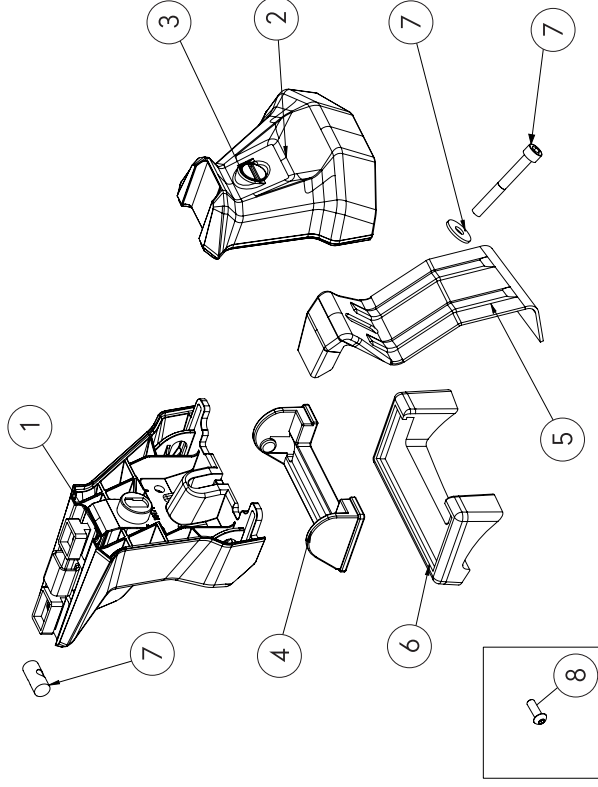
**04 ■ TREK**



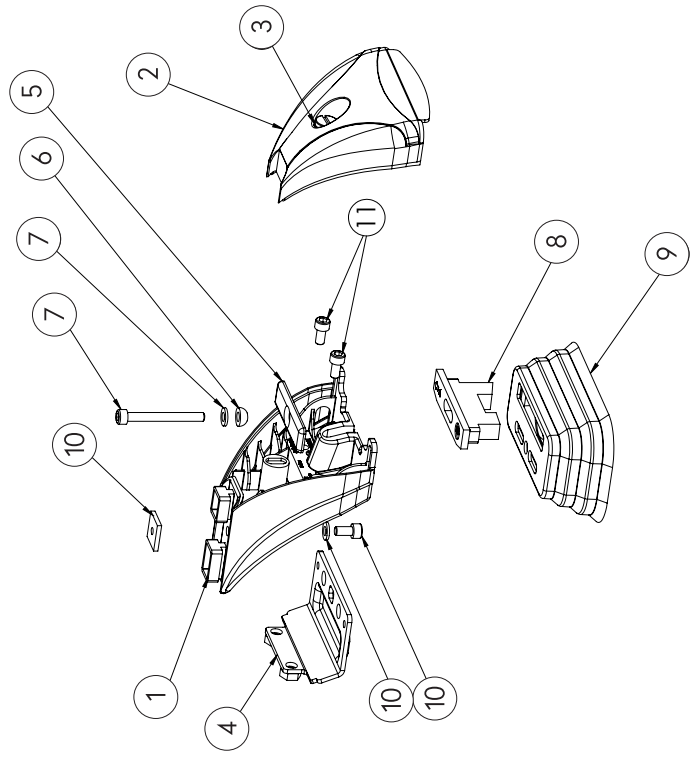
**05 ■ RAPIDO FIX POINT**



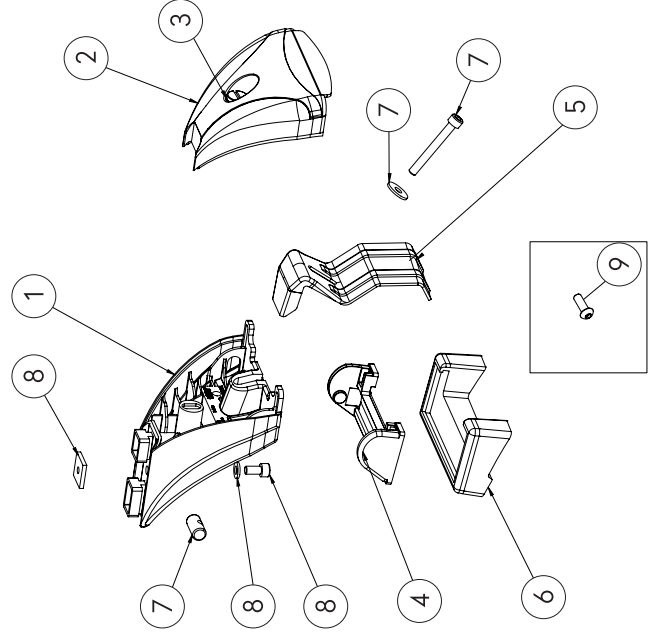
**06 ■ RAPIDO APOGGIO**



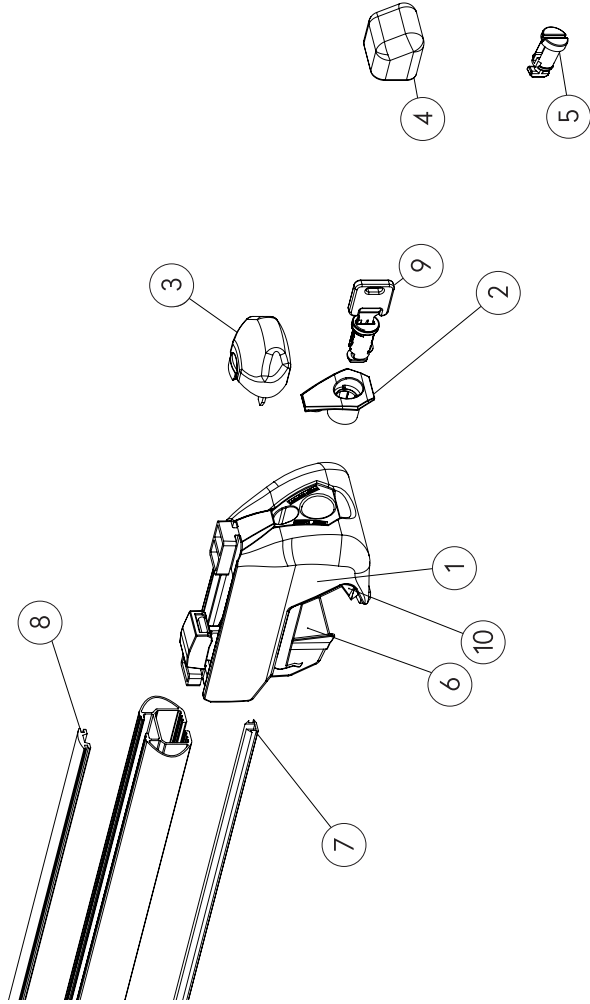
**07 ■ ORIGINAL FIX POINT**



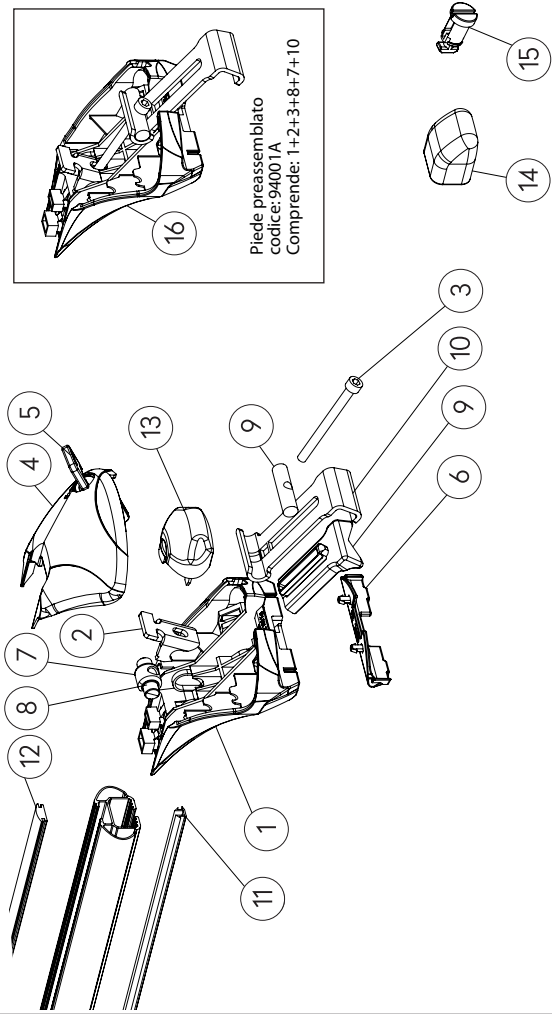
**08 ■ ORIGINAL APOGGIO**



**09 ■ EASYONE SW - PIEDE UNO**

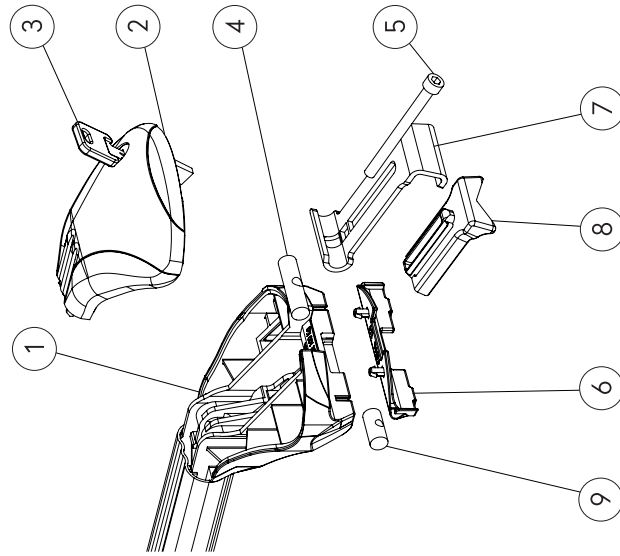


**10 ■ EASY ONE QUICK - PIEDE QUICK**



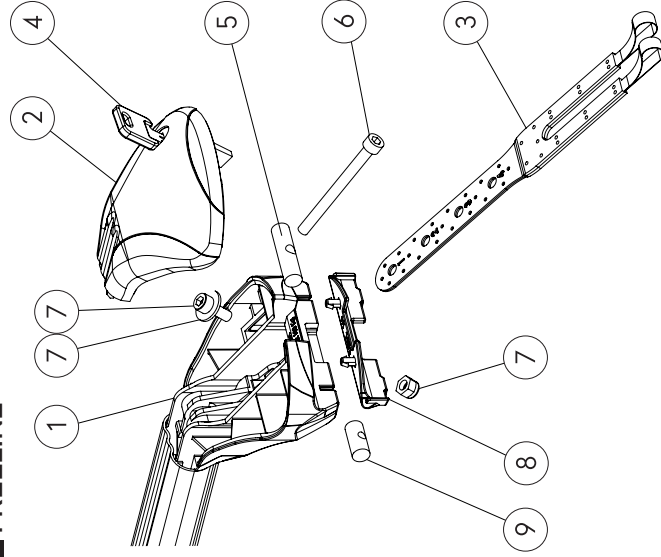
Piede preassemblato  
 codice: 9401A  
 Comprende: 1+2+3+8+7+10

**11 ■ FREELINE**



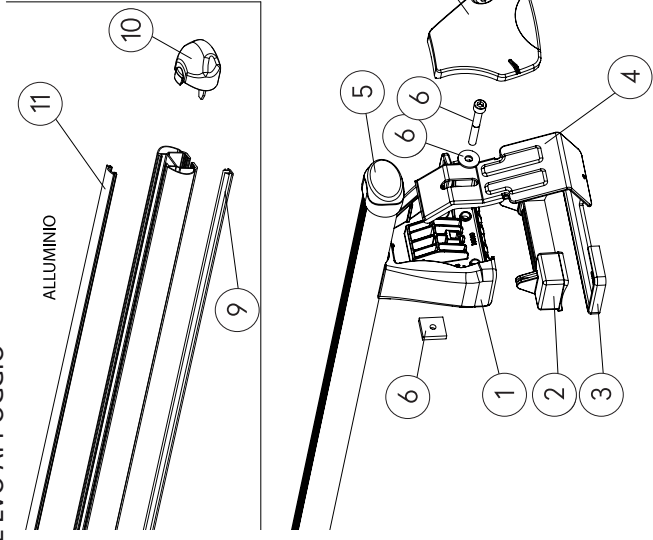
Piede preassemblato  
 codice: 82001A  
 comprende: 1+4+5+7+9

**12 ■ FREELINE**

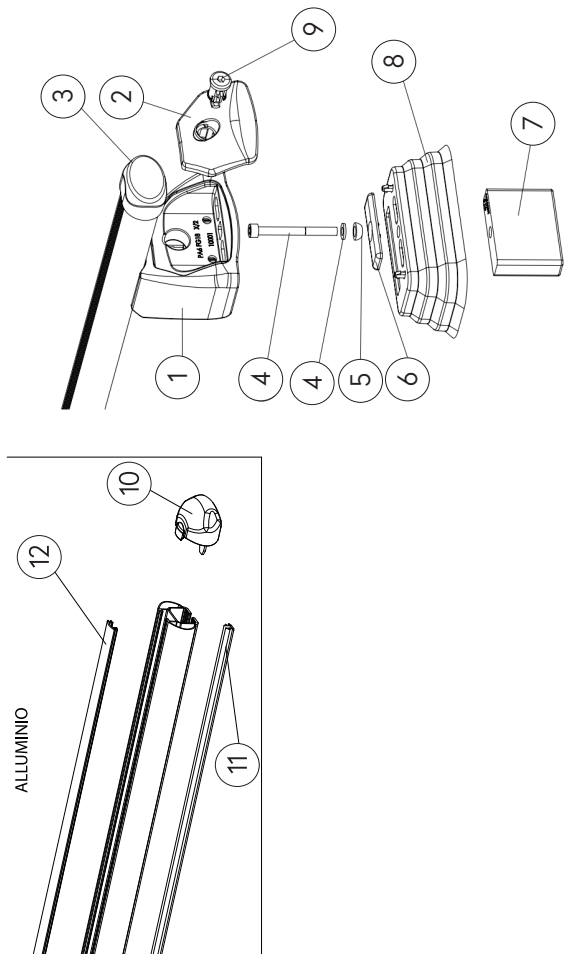


Piede preassemblato  
 codice: 82001B  
 comprende: 1+5+6+9

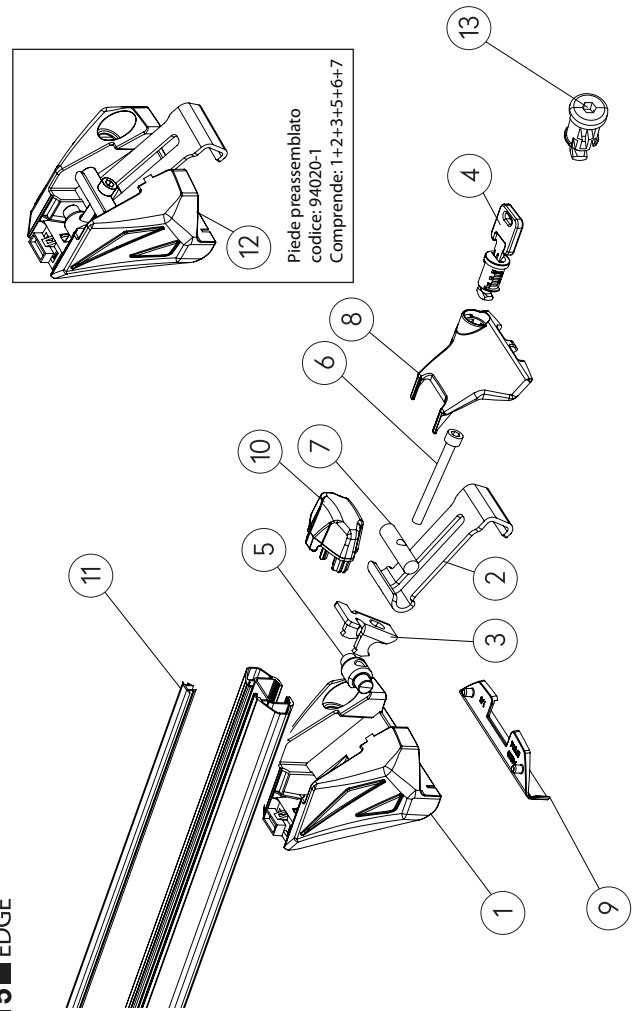
**13 ■ EASYONE EVO APPOGGIO**



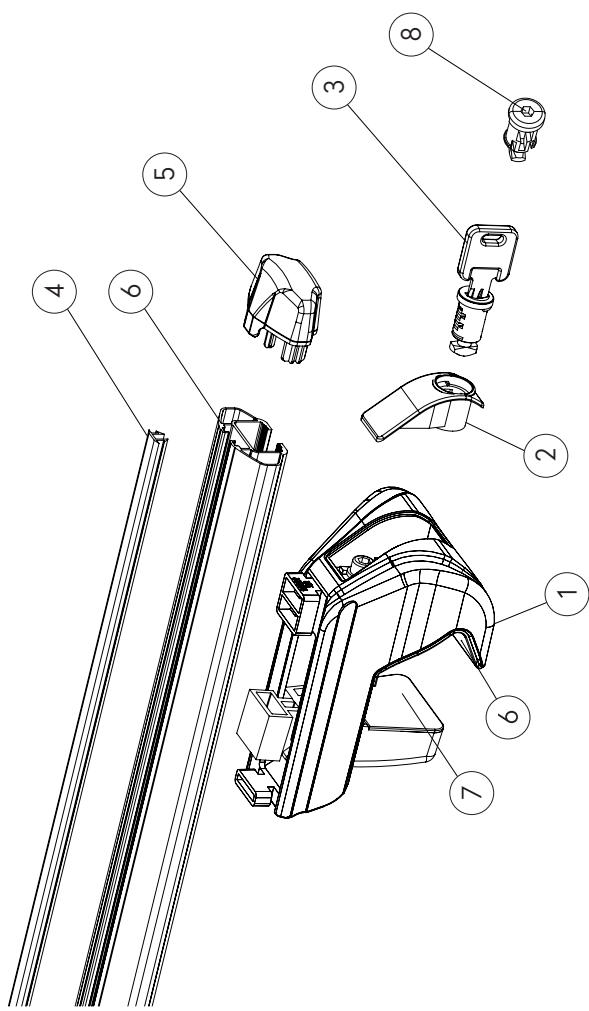
**14 ■ EASYONE EVO FIXPOINT**



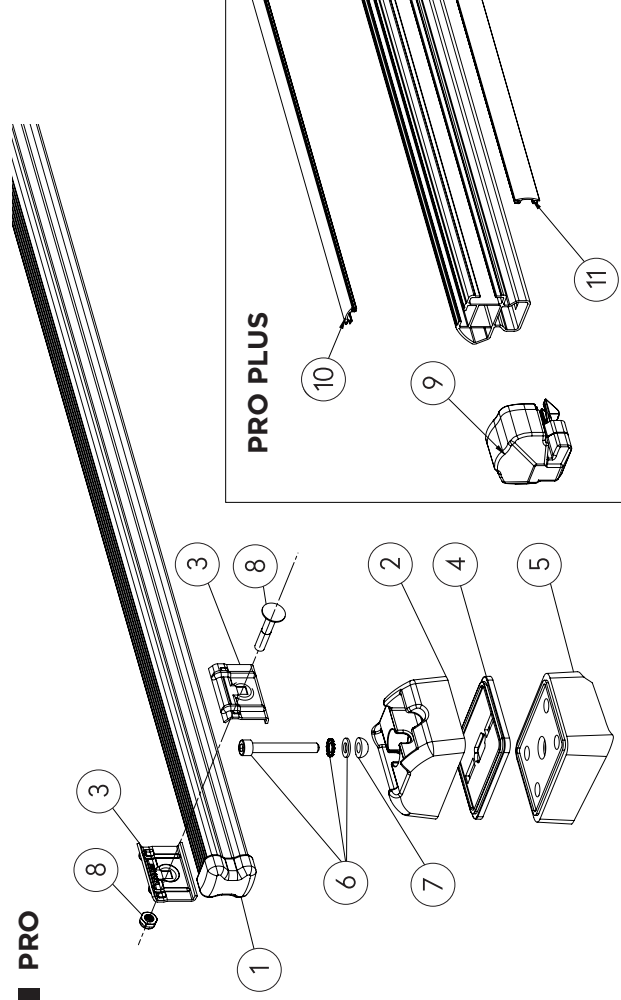
**15 ■ EDGE**



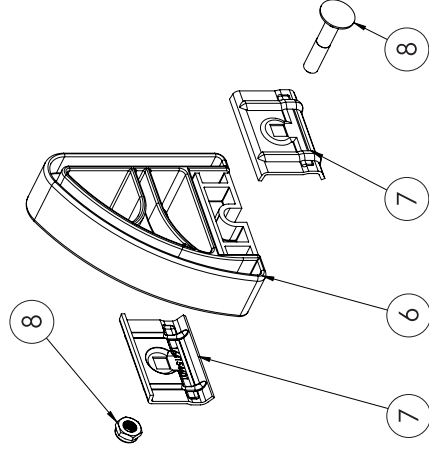
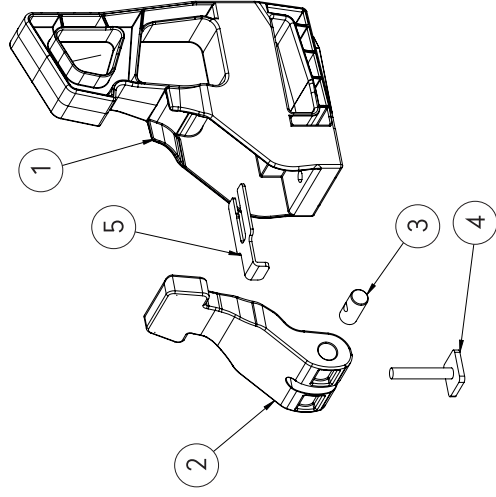
**16 ■ TRAX**



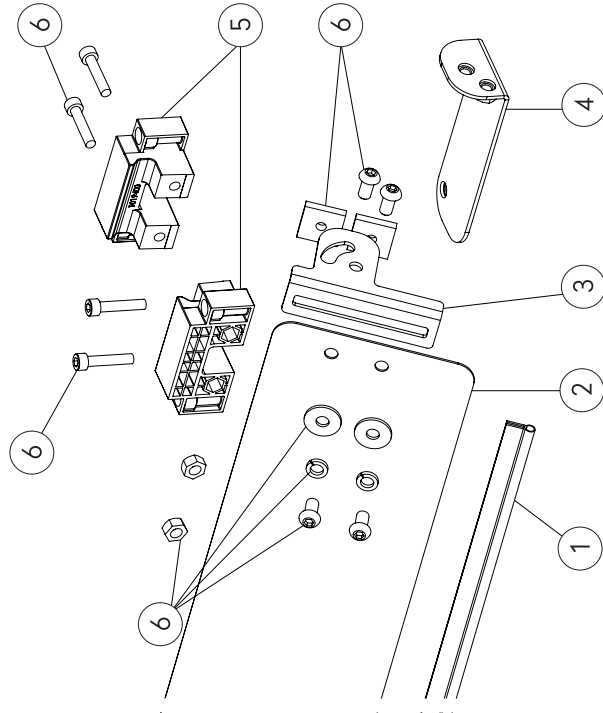
17 ■ PRO



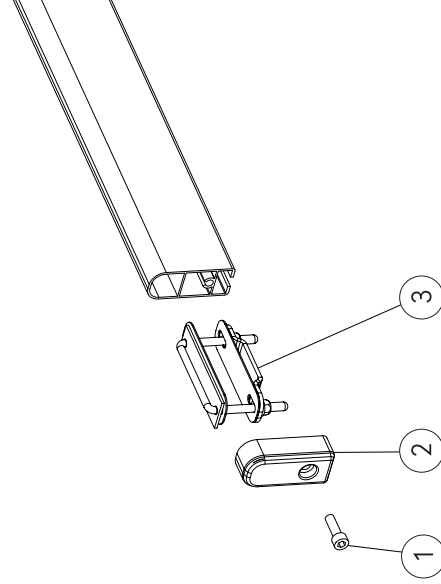
18 ■ FERMACARICO



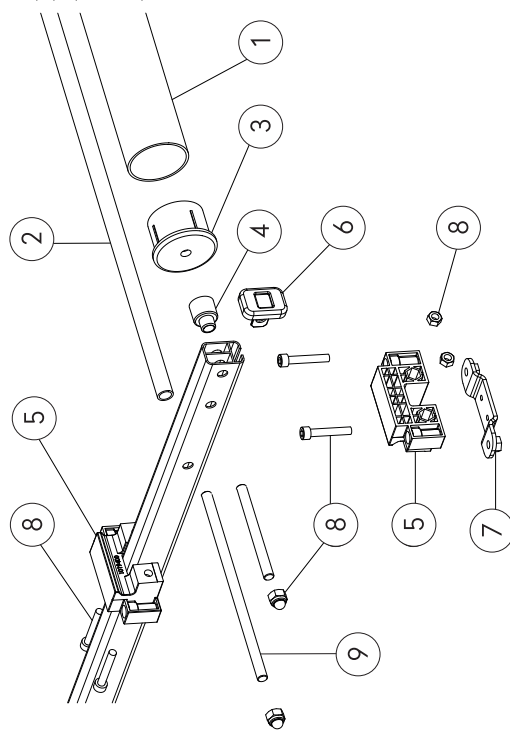
19 ■ DEFLETTORE



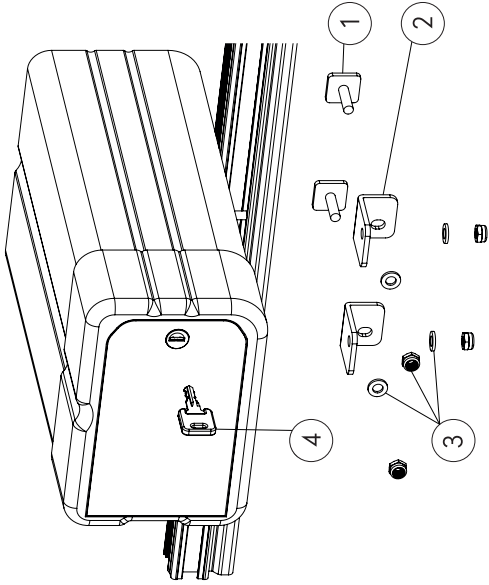
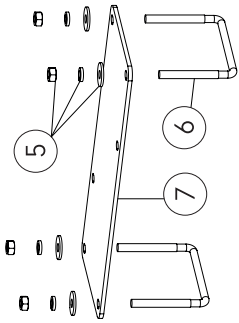
20 ■ SPONDA LATERALE



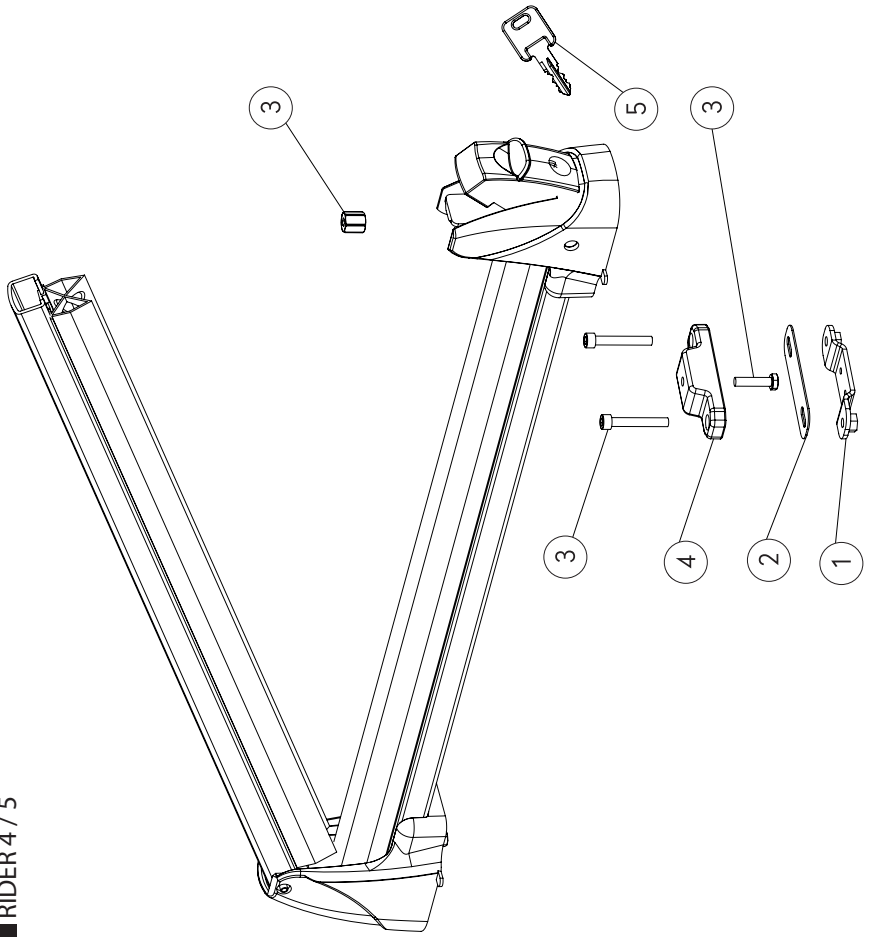
21 ■ RULLO SCALA



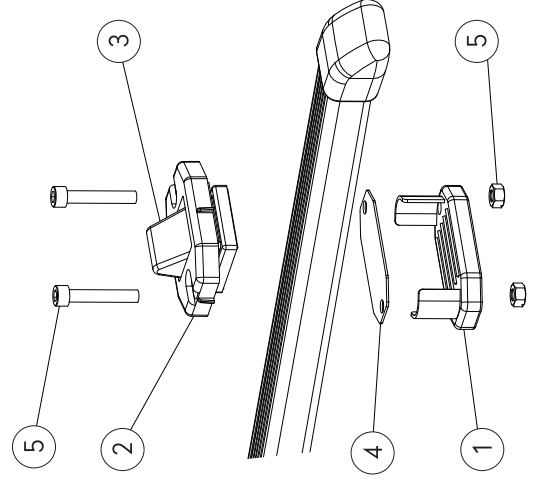
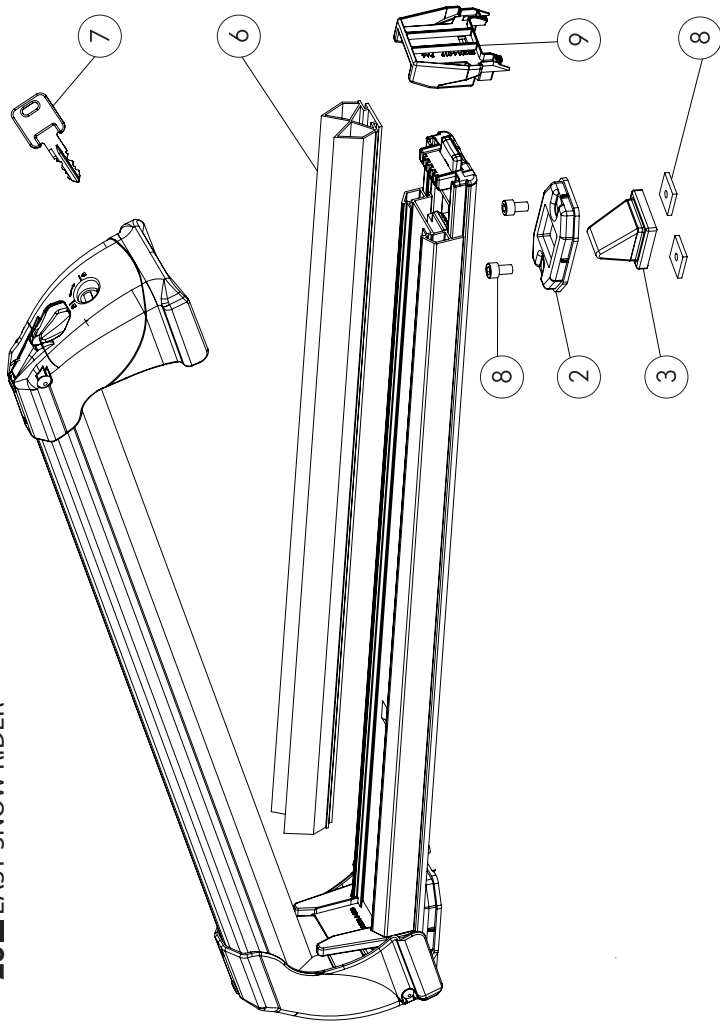
**22 ■ TUBO PRO**



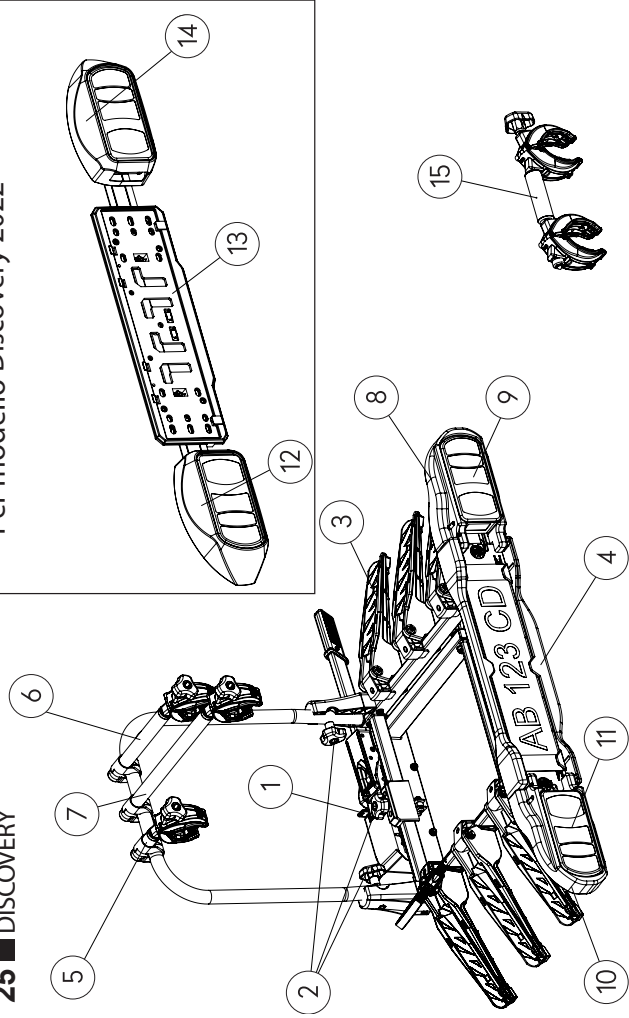
**24 ■ RIDER 4 / 5**



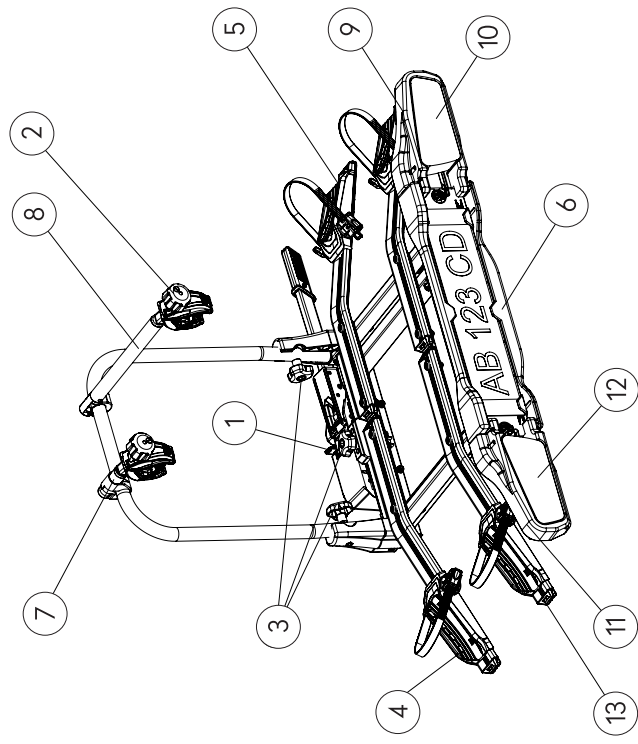
**23 ■ EASY SNOW RIDER**



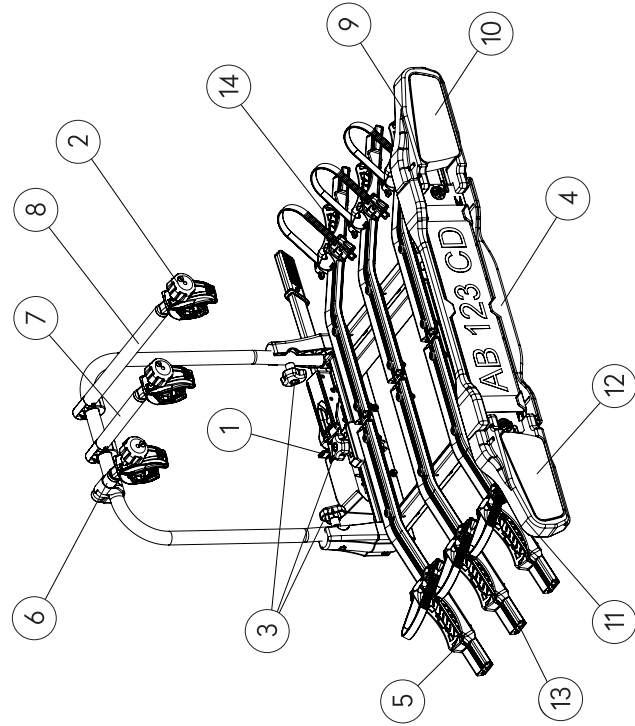
**25 ■ DISCOVERY**



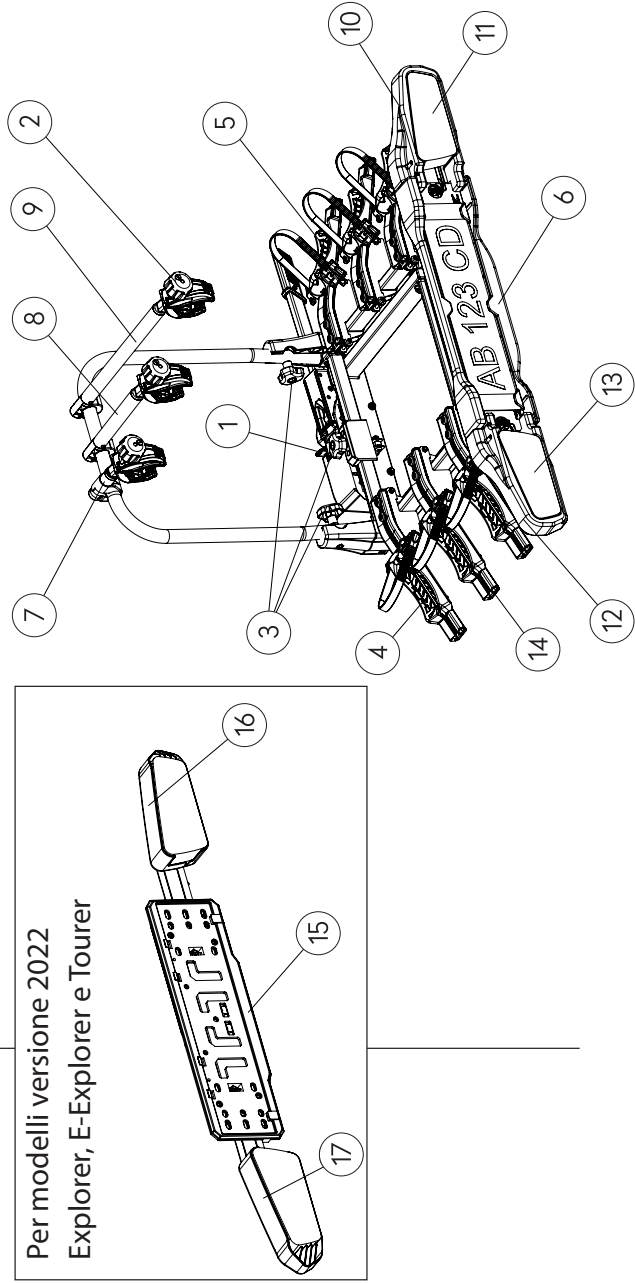
**26 ■ E-EXPLORER**



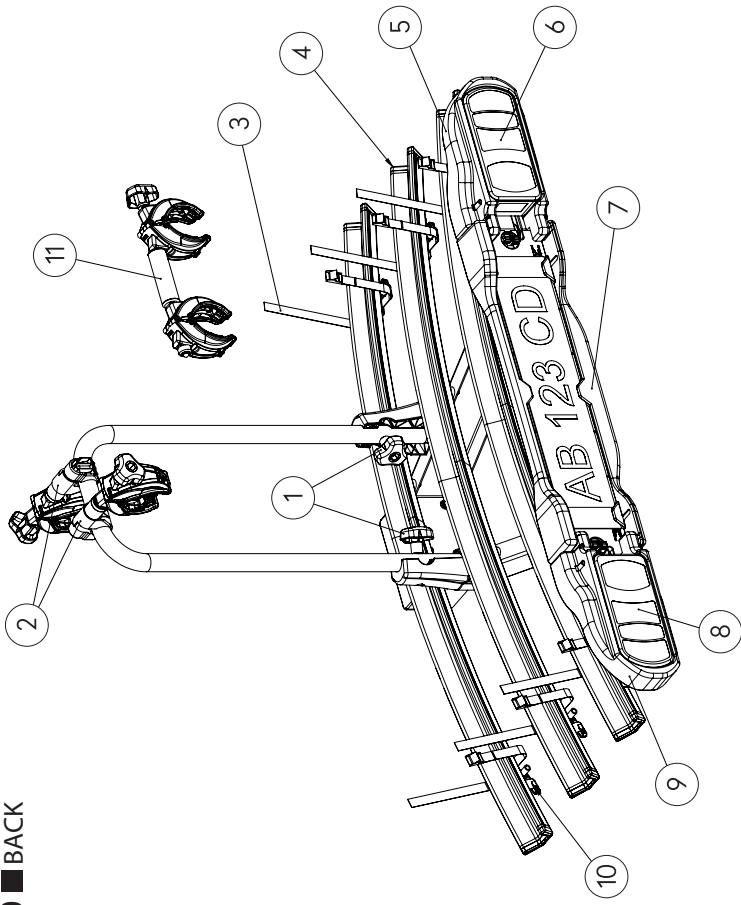
**27 ■ EXPLORER**



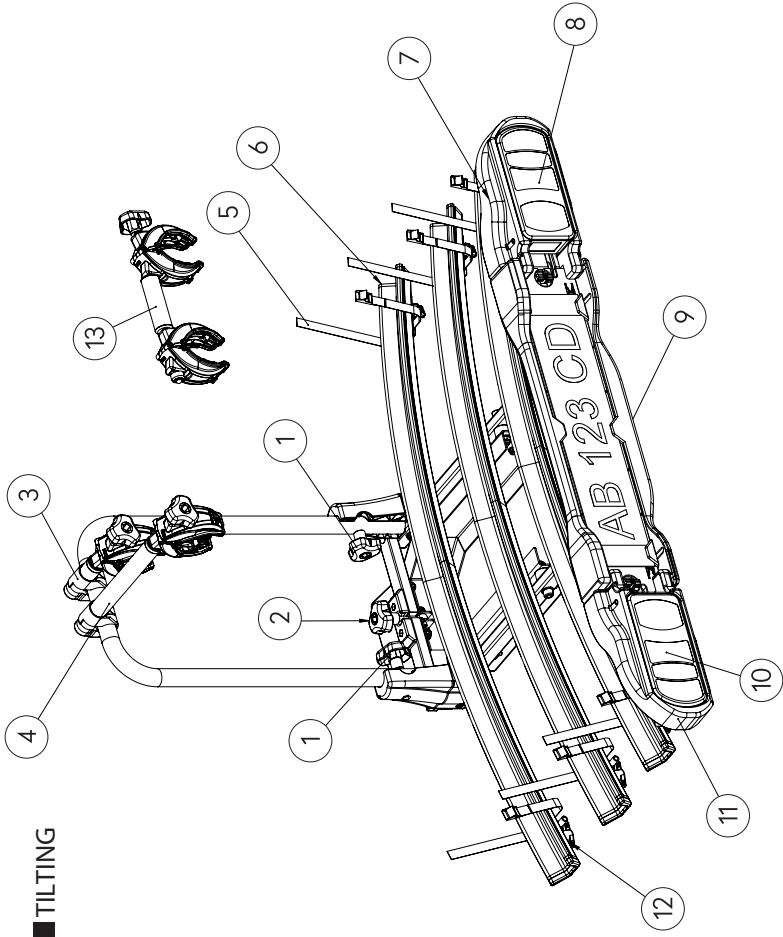
**28 ■ TOURER**



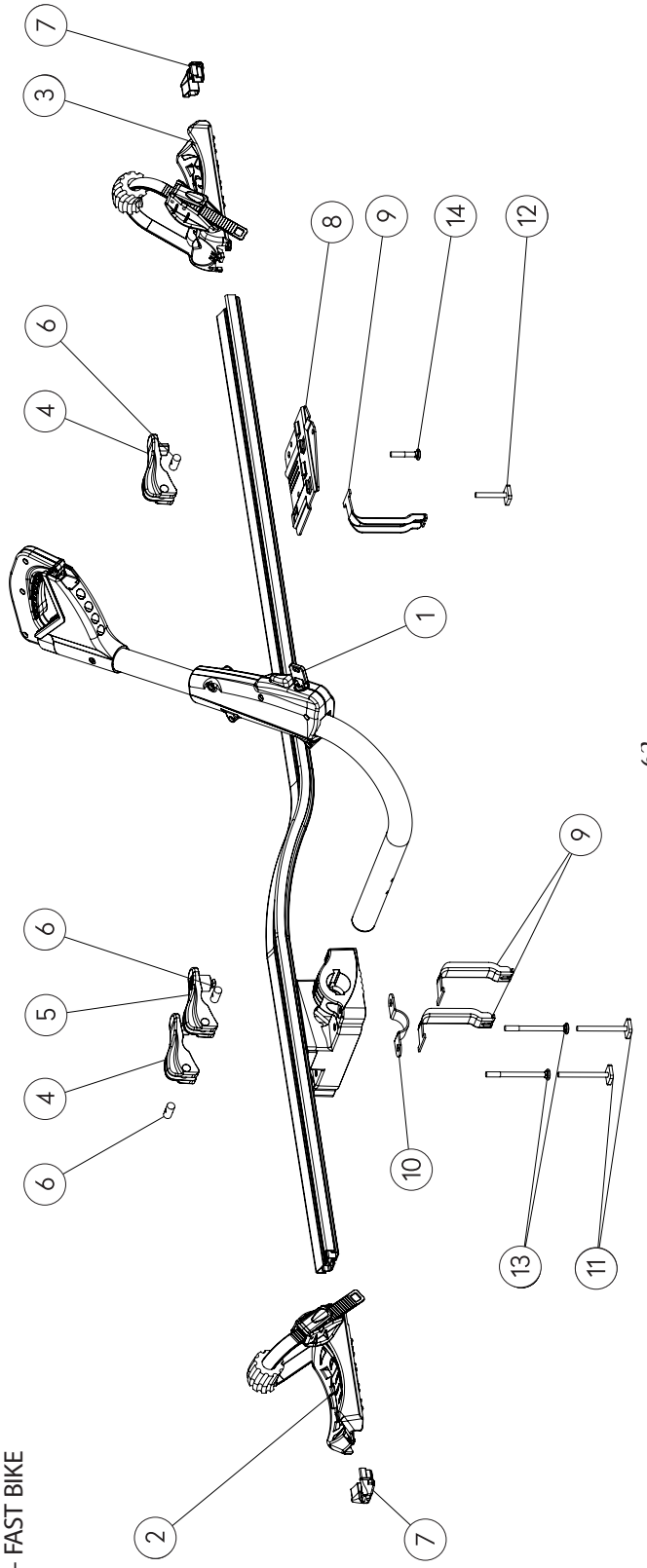
29 ■ BACK

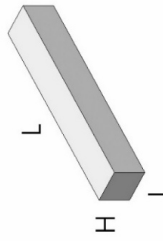


30 ■ TILTING

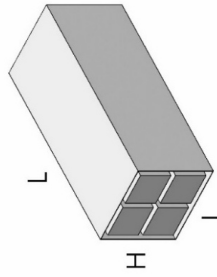


31 ■ FAST RIDER - FAST BIKE





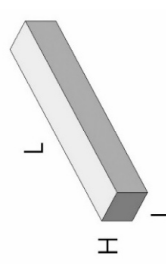
d1



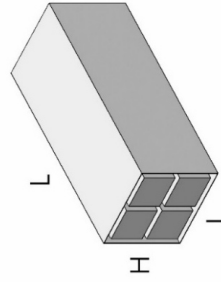
D2

Cod.	d1					D2				
	I Cm	H Cm	L Cm	Kg	Q.ty	I Cm	H Cm	L Cm	Kg	Q.ty
2919	75	8	15	1	1	x	x	x	x	x
101 804	7	14	16	0,15	1	x	x	x	x	x
156 000	5	3,5	6,5	0,2	1	x	x	x	x	x
156 002	5	3,5	6,5	0,2	1	x	x	x	x	x
156 500	17	17	17	1	1	x	x	x	x	x
156 507	7	5	113	2,5	1	22	11	120	15	6
156 513	7	5	118	2,7	1	22	11	120	16,2	6
156 515	19	8	115	2,7	1	x	x	x	x	x
156 520	7	5	125	3	1	22	11	132	18	6
156 526	7	5	131	3,3	1	22	11	132	19,8	6
156 530	19	8	115	2,8	1	x	x	x	x	x
156 535	4	4	135	2	1	12	10	140	12	6
156 542	7	5	149	3,7	1	x	x	x	x	x
156 550	4	4	150	2,5	1	12	10	153	15	6
156 570	4	4	170	3	1	12	10	173	18	6
156 600	17	17	17	1,2	1	x	x	x	x	x
156 601	17	17	17	1	1	x	x	x	x	x
156 607	8	8	115	2	1	24,5	16,5	120	12	6
156 613	8	8	119	2,1	1	24,5	16,5	120	12,6	6
156 620	8	8	133	2,2	1	24,5	16,5	137	15	6
156 626	8	8	136	2,3	1	24,5	16,5	137	15,6	6
156 642	8	8	149	2,6	1	x	x	x	x	x
156 700	18,5	7	18	0,5	1	x	x	x	x	x
156 715	19	8	115	2,9	1	x	x	x	x	x
156 730	19	8	115	3,8	1	x	x	x	x	x
156 790	88	9	20	2,2	1	x	x	x	x	x
156 791	20	3	10	0,1	1	x	x	x	x	x
156 815	12	11	139	3,7	1	x	x	x	x	x
156 830	12	11	139	4	1	x	x	x	x	x
156 857	12	14,5	120	3,9	1	x	x	x	x	x
156 865	12	14,5	120	4	1	x	x	x	x	x
156 915	12	11	139	3	1	x	x	x	x	x
156 930	12	11	139	3,3	1	x	x	x	x	x
156 957	12	14,5	120	3,3	1	x	x	x	x	x
156 965	12	14,5	120	3,5	1	x	x	x	x	x
157 812	14	12	119	2,8	1	x	x	x	x	x
157 820	14	12	119	2,8	1	x	x	x	x	x
157 920	11	12	138	2,8	1	x	x	x	x	x
157 935	11	12	138	3	1	x	x	x	x	x
158 002	21	10	104	4,5	1	23	42	105	18	4
160 504	15	14	79	3	1	30	28	80	13	4
160 507	15	14	79	3,6	1	30	28	80	15	4
160 509	29	6	23	0,9	1	x	x	x	x	x
160 510	15	14	79	4,6	1	30	28	80	18	4
160 514-2	78	26	59,5	18,5	1	x	x	x	x	x
160 514-3	78	26	59,5	20,7	1	x	x	x	x	x
160 514-4	93	26	59,5	22,2	1	x	x	x	x	x
160 659	146	10	37	5,2	1	x	x	x	x	x

Tabella Pesì e Dimensioni Imballi



d1



D2

Cod.	d1					D2				
	I Cm	H Cm	L Cm	Kg	Q.ty	I Cm	H Cm	L Cm	Kg	Q.ty
160 661	146	12	37	5,4	1	x	x	x	x	x
160 665	40	20	120	13	1	x	x	x	x	x
160 667	80	26	120	15	1	x	x	x	x	x
160 668	80	26	120	15,5	1	x	x	x	x	x
160 673	14	7,5	36	0,8	1	x	x	x	x	x
160 674	93	26	59,5	22,5	1	x	x	x	x	x
160 675	14	7,5	36	1	1	x	x	x	x	x
160 680	12	6	108	1	1	x	x	x	x	x
160 850	17	6	10	0,3	1	x	x	x	x	x
160 885	10	8	20	0,4	1	x	x	x	x	x
161 665	14	7,5	36	0,5	1	x	x	x	x	x
164 001	18,5	15	21,5	1,2	1	x	x	x	x	x
164 002	17	17	17	1,1	1	x	x	x	x	x
164 007	8	9	116	2,5	1	21	21	126	15	6
164 013	8	9	122	2,6	1	21	21	126	15,5	6
164 020	8	9	129	2,7	1	21	21	138	16	6
164 026	8	9	136	2,8	1	21	21	138	16,5	6
164 035	6	5,5	148	2	1	20	14	150	12,5	6
164 042	8	9	151	3,1	1	x	x	x	x	x
164 050	6	5,5	165	2,1	1	20	14	167	13	6
164 070	6	5,5	183	2,3	1	20	14	185	14	6
164 071	18,5	7	18	0,8	1	x	x	x	x	x
164 072	8,5	7,5	179	3	1	x	x	x	x	x
164 073	8,5	7,5	179	3,2	1	x	x	x	x	x
164 074	10	8	20	0,8	1	x	x	x	x	x
164 075	22	15	320	12,5	1	x	x	x	x	x
164 076	18,5	7	18	0,5	1	x	x	x	x	x
164 077	5,5	6,5	121	2,3	1	x	x	x	x	x
164 078	5,5	6,5	151	2,7	1	x	x	x	x	x
164 080	5,5	6,5	201	3,5	1	x	x	x	x	x
164 081	18,5	7	18	0,5	1	x	x	x	x	x
164 082	12	5	63	2	1	x	x	x	x	x
164 083	12	5	93	2,5	1	x	x	x	x	x
164 084	18,5	7	18	0,7	1	x	x	x	x	x
164 085	18,5	7	18	0,9	1	x	x	x	x	x
164 107	8	9	116	2,6	1	x	x	x	x	x
164 113	8	9	122	2,7	1	x	x	x	x	x
164 120	8	9	129	2,8	1	x	x	x	x	x
164 126	8	9	136	2,9	1	x	x	x	x	x
164 142	8	9	151	3,2	1	x	x	x	x	x
EasyOne EVO	17	12	133	4,5	1	x	x	x	x	x
EasyOne EVO Allù	17	12	133	3,5	1	x	x	x	x	x
Kit Original	20	8	21	1,2	1	x	x	x	x	x
Kit Pro 2 piedi	22,5	9,5	25,5	0,9	1	x	x	x	x	x
Kit Pro 4 piedi	23,5	10,5	34,5	1,7	1	x	x	x	x	x
Kit Quick	10	8	20	0,5	1	x	x	x	x	x
Kit Trek	10	8	20	0,5	1	x	x	x	x	x

Tabella Pesie e Dimensioni Imballi