

20
26



GREEN VALLEY
CARRYING YOUR PASSIONS

Vettura	Porte	Anno	Tipo Tetto	Tetto in Vetro	Tetto Normal / Fix Point							Tetto Railing							Tetto Rails Int. - Railing Speciali								
					Componibile				Preassembl.			Componibile			Preassemblata				Componibile			Preassemblata					
					Kit	Piede 156.500	Traversa (Cm)	Rapido Piede 164.001	Traversa (Cm)	EVO Acc Alu 159.xxx 162.xxx		KIT	PIEDE 156.600	164.002	Traversa (Cm)	E.O. SW 156.xxx Acc Alu		FREELINE (156.XXX)	TRAX (157.xxx)	KIT	Piede 156.601	Traversa (Cm)	QUICK 156.xxx Acc Alu		FREELINE (156.xxx)	EDGE KIT	EDGE (157.xxx)
Abarth																											
500	3	2007 → 2015	Normal	SI	156.281	●	113	●	113	067	067																
600	5	2025 →	Normal	NV	163.231	●	113	●	120																		
Punto	3	2005 → 2014	Normal	SI	156.251	●	107	●	113	056	056																
Aion																											
V	5	2025 →	Railing	SI													530		156.655	●	107	857	957				
Aiways																											
U5	5	2022 →	Rails Int.	SI																●	113	865	965	730		820	
Alfa Romeo																											
147	3	2000 → 2010	Normal	SI	156.311	●	107	●	107																		
147	5	2000 → 2010	Normal	SI	156.245	●	107	●	107	048	048																
156 Crosswagon	5	2004 → 2007	Railing	SI								●	●	120	815	915	515	920									
156 SW	5	2000 → 2006	Railing	SI								●	●	120	815	915	515	920									
159	4	2005 → 2013	Normal	SI	156.238	●	107	●	113	057	057																
159 SW	5	2005 → 2013	Normal	SI	156.238	●	107	●	113	057	057																
159 SW	5	2005 → 2013	Railing	SI								●	●	120	815	915	515	920									
75	4	1985 → 1992	Normal							024	024																
Giulia	4	2016 →	Normal	NV	156.337	●	113	●	120	082	082																
Giulietta	5	2010 → 2020	Normal	NO	156.239	●	107	●	113	108	108																
Junior	5	2025 →	Normal	NV	163.231	●	113	●	120																		
Mito	3	2008 → 2018	Fix Point	SI	156.110	●	107	●	107	010	010																
Stelvio	5	2017 →	Rails Int.	SI																●	107	857	957	715		812	
Audi																											
80 SW	5	1992 → 1995	Railing	SI								●	●	107	815	915	515	920									
A1 (8X)	3	2010 → 2018	Normal	NO	156.289	●	113	●	120																		
A1 Sportback (8X)	5	2011 → 2018	Normal	NO	156.279	●	113	●	120	065	065																
A1 Sportback (8X)	5	2011 → 2018	Normal	SI						065	065																
A1 Sportback (GB)	5	2018 →	Normal	NV						089	089																
A3 (8L)	3	1996 → 2003	Normal							023	023																
A3 (8P)	3	2003 → 2012	Normal	NO	156.277	●	113	●	120	032	032																
A3 (8P)	3	2003 → 2012	Normal	SI						032	032																
A3 (8V)	3	2012 → 2017	Normal	NO	156.278	●	120	●	120																		
A3 Berlina (8V)	4	2013 → 2020	Normal	NO	156.343	●	120	●	120																		
A3 Sportback (8P)	5	2004 → 2012	Normal	NV	156.372	●	113	●	120	036	036																
A3 Sportback (8P)	5	2004 → 2013	Rails Int.	SI								156.401	●	●	126	830	930			●	107	857	957	730		812	
A3 Sportback (8V)	5	2012 → 2020	Normal	NO	156.308	●	120	●	120	084	084																
A3 Sportback (8V)	5	2012 → 2020	Normal	SI						084	084																
A3 Sportback (8V)	5	2012 → 2020	Rails Int.	SI																●	107	857	957	730		812	
A3 Sportback (8Y)	5	2020 →	Normal	NV	156.398	●	120	●	120	089	089																
A3 Sportback (8Y)	5	2020 →	Rails Int.	SI																●	113	865	965	730		820	
A4 (B6)	4	2000 → 2004	Normal		156.359	●	113	●	120	059	059																
A4 (B7)	4	2004 → 2007	Normal	NV	156.359	●	113	●	120																		

Vettura	Porte	Anno	Tipo Tetto	Tetto in Vetro	Tetto Normal / Fix Point						Tetto Railing						Tetto Rails Int. - Railing Speciali										
					Componibile				Preassembl.		Componibile			Preassemblata			Componibile			Preassemblata							
					Kit	Original		Rapido		EVO		KIT	PIEDE		Traversa (CM)	E.O. SW		FREELINE (156.xxx)	TRAX (157.xxx)	KIT	Piede 156.601	Traversa (CM)	QUICK 156.xxx		FREELINE (156.xxx)	EDGE KIT	EDGE (157.xxx)
						Piede 156.500	Traversa (Cm)	Piede 164.001	Traversa (Cm)	Acc 159.xxx	Alu 162.xxx		156.600	164.002		Acc	Alu						Acc	Alu			
A4 (B8)	4	2008 → 2015	Normal	SI	156.359	●	120	●	120																		
A4 (B9)	4	2016 → 2024	Normal	NO	156.356	●	113	●	120																		
A4 Allroad (B8)	5	2009 → 2015	Railing	SI							●	●	120	830	930	515	935		●	107	857	957	715	812			
A4 Allroad (B9)	5	2016 → 2025	Railing	SI							●	●	120	830	930	515	935		●	107	857	957	715	812			
A4 SW (B5-B6)	5	1995 → 2004	Railing	SI							●	●	120	815	915	515	920										
A4 SW (B7)	5	2004 → 2008	Railing	SI							●	●	113	815	915	515	920										
A4 SW (B8)	5	2008 → 2015	Rails Int.	SI						156.410	●	●	126	830	930				●	107	857	957	730	812			
A4 SW (B9)	5	2015 → 2025	Rails Int.	SI															●	107	857	957	715	812			
A5 SW (B10)	5	2024 →	Rails Int.	SI															●	107	857	957	730	812			
A6 (C6)	4	2004 → 2011	Normal		156.310	●	120	●	120																		
A6 Allroad (C5)	5	2000 → 2005	Railing	SI							●	●	120	815	915	515	920										
A6 Allroad (C6)	5	2006 → 2012	Railing	SI							●	●	126	830	930	530	935										
A6 Allroad (C7)	5	2012 → 2018	Railing	SI							●	●	126	830	930	515	935										
A6 SW (C4)	5	1994 → 1997	Railing	SI							●	●	120	815	915	515	920										
A6 SW (C5)	5	1998 → 2004	Railing	SI							●	●	120	815	915	515	920										
A6 SW (C6)	5	2005 → 2011	Rails Int.	SI						156.403	●	●	126	830	930				●	107	857	957	730	812			
A6 SW (C7)	5	2011 → 2018	Rails Int.	SI															●	113	865	965	730	820			
A6 SW (C8)	5	2018 → 2025	Rails Int.	SI															●	113	865	965	730	820			
A6 SW (C9)	5	2025 →	Rails Int.	SI															●	107	857	957	730	812			
E-Tron	5	2019 → 2023	Rails Int.	SI															●	113	865	965	730	820			
Q2 (GA)	5	2017 →	Normal	NO	156.340	●	120	●	120	078	078																
Q2 (GA)	5	2017 →	Normal	SI						078	078																
Q3 (8U)	5	2011 → 2018	Rails Int.	SI															●	107	857	957	730	812			
Q3 (F3)	5	2018 → 2025	Rails Int.	SI															●	113	865	965	730	820			
Q3 (FJ)	5	2026 →	Rails Int.	SI															●	113	865	965	730	820			
Q3 Sportback	5	2019 → 2025	Normal	NV	156.396	●	126	●	126																		
Q4	5	2021 →	Rails Int.	SI															●	107	857	957	730	812			
Q5 (8R)	5	2008 → 2017	Rails Int.	SI															●	113	865	965	730	820			
Q5 (FY)	5	2017 → 2025	Rails Int.	SI															●	113	865	965	730	820			
Q5 (8oA)	5	2025 →	Rails Int.	SI															●	113	865	965	730	820			
Q5 Sportback (FYT)	5	2021 → 2025	Normal	NV	156.385	●	120	●	126	036	036																
Q5 Sportback (FYT)	5	2021 → 2025	Rails Int.	SI															●	113	865	965	730	820			
Q6 E-Tron	5	2025 →	Rails Int.	SI															●	120	865	965	730	820			
Q7 (4L)	5	2006 → 2015	Rails Int.	SI															●	107	857	957	730	812			
Q8 (F1)	5	2018 →	Rails Int.	SI															●	113	865	965	730	820			
Bmw																											
Serie 1 (E87)	3-5	2004 → 2011	Fix Point	SI	156.103	●	107	●	107	003	003																
Serie 1 (F20)	3-5	2011 → 2019	Fix Point	SI	156.103	●	107	●	107	003	003																
Serie 1 (F40)	5	2019 → 2025	Fix Point	SI	156.126	●	107	●	107	091	091																
Serie 1 (F70)	5	2025 →	Fix Point	SI	156.126	●	107	●	107	091	091																
Serie 1 coupè (E82)	3	2007 → 2013	Fix Point	SI	156.103	●	107	●	113	003	003																
Serie 2 Active Tourer (F45)	5	2014 → 2021	Normal	SI	156.325	●	120	●	126	072	072																

Vettura	Porte	Anno		Tipo Tetto	Tetto in Vetro	Tetto Normal / Fix Point						Tetto Railing						Tetto Rails Int. - Railing Speciali										
						Componibile				Preassembl.		Componibile			Preassemblata			Componibile			Preassemblata							
						Kit	Original		Rapido		EVO		KIT	PIEDE		Traversa (CM)	E.O. SW 156.xxx		FREELINE (156.xxx)	TRAX (157.xxx)	KIT	Piede 156.601	Traversa (CM)	QUICK 156.xxx		FREELINE (156.xxx)	EDGE KIT	EDGE (157.xxx)
							Piede 156.500	Traversa (Cm)	Piede 164.001	Traversa (Cm)	Acc	Alu		156.600	164.002		Acc	Alu						Acc	Alu			
X5 (E70)	5	2007	→ 2013	Railing	SI																							
X5 (E70)	5	2007	→ 2013	Rails Int.	SI							156.408	●	●	142	830	930											
X5 (F15)	5	2014	→ 2018	Rails Int.	SI												●	113	865	965	730			820				
X5 (G05)	5	2018	→	Rails Int.	SI												●	113	865	965				820				
X6 (F16)	5	2015	→ 2018	Rails Int.	SI												●	113	865	965				820				
X7 (G07)	5	2019	→	Railing	SI								●	●	126	830	930	530	935		●	113	865	965	730	820		
BYD																												
Atto 2	5	2025	→	Rails Int.	SI													●	107	857	957	715				812		
Atto 3	5	2023	→	Rails Int.	SI													●	107	857	957	715				812		
Dolphin	5	2023	→	Normal	SI					103	103																	
Han	4	2020	→	Normal	SI					103	103																	
Seal 6	5	2025	→	Rails Int.	SI													●	107	857	957	715				812		
Seal U	5	2025	→	Rails Int.	SI													●	107	857	957	715				812		
Cadillac																												
SRX	5	2004	→ 2013	Railing	SI								●	●	120	830	930	515	935									
SRX	5	2013	→ 2016	Railing	SI								●	●	120	815	915		920									
Chevrolet																												
Aveo II	5	2011	→ 2016	Normal						057	057																	
Captiva	5	2006	→ 2016	Railing	SI								●	●	113	815	915	515	920									
Cruze SW	5	2012	→ 2016	Railing	SI								●	●	107	815	915	515	920									
Kalos	5	2005	→ 2008	Normal						057	057																	
Lacetti SW	5	2004	→ 2009	Railing	SI								●	●	107	815	915	515	920									
Matiz	5	1998	→ 2005	Normal						021	021																	
Matiz	5	1998	→ 2005	Railing	SI								●	●	107	815	915	515	920									
Matiz II	5	2005	→ 2009	Railing	SI								●	●	107	815	915	515	920									
Nubira SW	5	2004	→ 2009	Railing	SI								●	●	107	815	915	515	920									
Spark	5	2010	→ 2016	Normal						057	057																	
Spark	5	2010	→ 2016	Railing	SI								●	●	107	815	915	515	920									
Trax	5	2013	→ 2016	Railing	SI													●	107	857	957	715				812		
Chrysler																												
300 C SW	5	2004	→ 2011	Railing	SI								●	●	120	830	930	515	935									
Grand Voyager	5	1996	→ 2005	Railing	SI								●	●	120	830	930	530	935									
Grand Voyager	5	2011	→ 2016	Railing	SI								●	●	126	830	930	530	935									
PT Cruiser	5	2000	→ 2010	T-Profile	SI							156.406	●	●	126	830	930											
Voyager	5	1995	→ 2001	Railing	SI								●	●	120	815	915	530	920									
Voyager	5	2001	→ 2008	T-Profile	SI							156.406	●	●	120	830	930											
Voyager	5	2008	→ 2014	Railing	SI								●	●	142	830	930	530	935									
Citroen																												
AX	5	1986	→ 1998	Normal						059	059																	
Berlingo I	3-5	1996	→ 2008	Normal		156.209	●	107	●	113	022	022																
Berlingo I	3-5	1996	→ 2008	Railing	SI								●	●	113	815	915	515	920									
Berlingo II	3-5	2008	→ 2018	Fix Point	SI	156.129	●	120	●	126																		

Vettura	Porte	Anno	Tipo Tetto	Tetto in Vetro	Tetto Normal / Fix Point						Tetto Railing						Tetto Rails Int. - Railing Speciali										
					Componibile				Preassembl.		Componibile			Preassemblata			Componibile			Preassemblata							
					Kit	Original		Rapido		EVO		KIT	PIEDE		Traversa (CM)	E.O. SW 156.xxx		FREELINE (156.xxx)	TRAX (157.xxx)	KIT	Piede 156.601	Traversa (CM)	QUICK 156.xxx		FREELINE (156.xxx)	EDGE KIT	EDGE (157.xxx)
						Piede 156.600	Traversa (Cm)	Piede 164.001	Traversa (Cm)	Acc	Alu		156.600	164.002		Acc	Alu						Acc	Alu			
Berlingo II	3-5	2008 → 2018	Railing	SI																							
Berlingo III	3-5	2018 →	Railing	SI																							
Berlingo III	5	2024 →	Rails Int.	SI																							
Bx Break	5	1983 → 1994	Railing	SI																							
C1 I	5	2005 → 2014	Normal	SI					049	049																	
C1 II	5	2014 → 2021	Normal	NO	156.366	●	107	●	113	059	059																
C1 II	5	2014 → 2021	Normal	SI					059	059																	
C2	5	2003 → 2010	Fix Point	SI	156.317	●	107	●	113																		
C3 Aircross	5	2017 → 2024	Railing	SI										515				156.655	●	107	857	957					
C3 I	5	2002 → 2009	Normal	NO	156.268	●	113	●	113	033	033																
C3 II	5	2009 → 2016	Fix Point	SI	156.123	●	107	●	107	005	005																
C3 III	5	2017 → 2024	Normal	NO	156.339	●	113	●	113	079	079																
C3 III	5	2017 → 2024	Normal	SI					079	079																	
C3 IV	5	2024 →	Normal	NV	163.229	●	113	●	120	084	084																
C3 IV	5	2024 →	Rails int.	NV	163.229	●	113	●	120	084	084																
C3 IV Aircross	5	2025 →	Normal	NV	163.229	●	113	●	120	084	084																
C3 IV Aircross	5	2025 →	Rails int.	NV	163.229	●	113	●	120																		
C3 Picasso	5	2009 → 2017	Railing	SI																							
C4 Aircross	5	2012 → 2017	Fix Point	SI	156.128	●	113	●	120	040	040																
C4 Aircross	5	2012 → 2017	Rails Int.	SI														156.651	●	107	857	957	730	157.401	812		
C4 Cactus	5	2015 → 2020	Railing	SI										515				156.650	●	107	857	957					
C4 Gran Picasso / Space Tourer	5	2013 → 2022	Normal		156.314	●	126	●	142																		
C4 Gran Picasso	5	2006 → 2013	Fix Point	SI	156.120	●	113	●	120	008	008																
C4 Gran Picasso	5	2006 → 2013	Railing	SI																							
C4 I	3	2004 → 2010	Fix Point	SI	156.108	●	107	●	107	008	008																
C4 I	5	2004 → 2010	Fix Point	SI	156.108	●	107	●	107	008	008																
C4 II	5	2010 → 2018	Normal	SI	156.246	●	120	●	120	065	065																
C4 III	5	2021 →	Normal	SI	156.338	●	113	●	113	082	082																
C4 Picasso	5	2007 → 2013	Fix Point	SI	156.120	●	113	●	120	008	008																
C4 Picasso	5	2007 → 2013	Railing	SI																							
C4 Picasso	5	2013 → 2018	Normal	SI	156.309	●	120	●	126																		
C4 X	5	2023 →	Normal	SI					104	104																	
C5 Aircross	5	2019 → 2025	Railing	SI																							
C5 I	4	2000 → 2008	Normal	SI					041	041																	
C5 I SW	5	2001 → 2008	Railing	SI																							
C5 II	4	2008 → 2017	Fix Point	SI	156.122	●	107	●	107	005	005																
C5 II SW	5	2008 → 2017	Railing	SI																							
C5X	5	2022 →	Normal	NV	163.203	●	113	●	120	107	107																
C5X	5	2022 →	Rails Int.	SI																							
C6	4	2005 → 2012	Fix Point	SI	156.122	●	126	●	142	016	016																
C8	5	2002 → 2010	Normal		156.304	●	142	●	142																		
C8	5	2002 → 2010	T-Profile	SI								156.406	●	●	142	830	930										

Vettura	Porte	Anno		Tipo Tetto	Tetto in Vetro	Tetto Normal / Fix Point						Tetto Railing						Tetto Rails Int. - Railing Speciali										
						Componibile					Preassembl.	Componibile			Preassemblata			Componibile			Preassemblata							
						Kit	Original		Rapido		EVO		KIT	PIEDE		Traversa (CM)	E.O. SW		FREELINE (156.xxx)	TRAX (157.xxx)	KIT	Piede 156.601	Traversa (CM)	QUICK 156.xxx		FREELINE (156.xxx)	EDGE KIT	EDGE (157.xxx)
							Piede 156.600	Traversa (Cm)	Piede 164.001	Traversa (Cm)	Acc	Alu		156.600	164.002		156.xxx	Acc						Alu	Acc			
C-Crosser	5	2007	→ 2012	Railing	SI								●	●	126	830	930	530	935									
Evasion	5	1994	→ 2002	T-Profile	SI							156.406	●	●	126	830	930											
Nemo	3-5	2008	→ 2015	Fix Point	SI	156.102	●	126	●	126	007	007																
Nemo	3-5	2008	→ 2017	Railing	SI								●	●	142	830	930	530	935									
Saxo	3	1996	→ 2004	Normal						052	052																	
Saxo	5	1996	→ 2005	Normal						025	025																	
Xantia	5	1993	→ 1998	Normal						027	027																	
Xantia SW	5	1995	→ 2001	T-Profile	SI							156.406	●	●	113	815	915											
XM SW	5	1992	→ 1999	Railing	SI								●	●	120	815	915	515	920									
Xsara	5	1997	→ 2004	Normal						021	021																	
Xsara Picasso	5	1999	→ 2010	Normal	NO	156.209	●	107	●	107	022	022																
Xsara SW	5	1997	→ 2004	T-Profile	SI							156.406	●	●	126	830	930											
ZX SW	5	1994	→ 1999	Railing	SI								●	●	120	815	915	515	920									
Cupra																												
Ateca (KH)	5	2016	→	Railing	SI								●	●	120	830	930	515	935									
Formentor	5	2020	→	Railing	SI								●	●	113	815	915	515	920									
Leon (KL)	5	2020	→	Normal	NO					077	077																	
Leon SW (KL)	5	2020	→	Rails Int.	SI														●	107	857	957	715			812		
Tavascan	5	2024	→	Normal	SI	163.227	●	126	●	142	084	084																
Terramar	5	2024	→	Rails Int.	SI														●	113	865	965	730			820		
Dacia																												
Bigster	5	2025	→	Railing	SI								●	●	126	830	930		935									
Dokker	3-5	2012	→ 2021	Fix Point	SI	156.102	●	107	●	107	006	006																
Dokker	3-5	2012	→ 2021	Railing	SI								●	●	113	815	915	515	920									
Duster	5	2010	→ 2013	Railing	SI							156.412	●	●	120	815	915	515										
Duster	5	2014	→ 2017	Railing	SI														156.652	●	107	857	957	715	156.652	812		
Duster	5	2018	→ 2024	Railing	SI													515	156.655	●	107	857	957					
Duster	5	2024	→	Railing	SI								●	●	126	830	930	530	935									
Jogger	5	2022	→	Railing	SI								●	●	120	815	915		920									
Lodgy	5	2012	→ 2022	Rails Int.	SI														156.651	●	107	857	957	715	157.401	812		
Logan	4	2004	→ 2012	Fix Point	SI	156.353	●	113																				
Logan MCV	5	2013	→ 2020	Railing	SI								●	●	113	815	915	515	920									
Logan SW	5	2007	→ 2013	Railing	SI								●	●	107	815	915	515	920									
Logan SW	5	2013	→ 2020	Railing	SI								●	●	113	815	915		920									
Sandero I	5	2008	→ 2012	Fix Point	NV	156.353	●	107			053	053																
Sandero II	5	2012	→ 2020	Fix Point	NV	156.353	●	107			053	053																
Sandero III	5	2021	→	Normal	NV	156.377	●	120	●	126	080	080																
Sandero Stepway	5	2010	→ 2012	Railing	SI								●	●	113	815	915	515	920									
Sandero Stepway II	5	2013	→ 2020	Railing	SI								●	●	113	815	915	515	920									
Sandero Stepway III	5	2021	→	Railing	SI								●	●	113	815	915	515	920									

Vettura	Porte	Anno	Tipo Tetto	Tetto in Vetro	Tetto Normal / Fix Point						Tetto Railing						Tetto Rails Int. - Railing Speciali									
					Componibile				Preassembl.		Componibile			Preassemblata			Componibile			Preassemblata						
					Kit	Original Piede 156.500 Traversa (Cm)	Rapido Piede 164.001 Traversa (Cm)	EVO Acc 159.xxx Alu 162.xxx	KIT	PIEDE 156.600 164.002 Traversa (Cm)	E.O. SW 156.xxx Acc Alu	FREELINE (156.XXX)	TRAX (157.xxx)	KIT	Piede 156.601 Traversa (Cm)	QUICK 156.xxx Acc Alu	FREELINE (156.xxx)	EDGE KIT	EDGE (157.xxx)							
Daewoo																										
Kalos	5	2002	→ 2005	Normal					057	057																
Lanos	5	1997	→ 2005	Normal					023	023																
Matiz	5	1998	→ 2007	Normal					021	021																
Matiz	5	1998	→ 2005	Railing	SI						● ●	107	815	915	515	920										
Nubira SW	5	1997	→ 2003	Railing	SI						● ●	107	815	915	515	920										
Tacuma	5	2000	→ 2005	Railing	SI						● ●	107	815	915	515	920										
Daihatsu																										
Feroza	3	1988	→ 2000	Railing	SI						● ●	107	815	915	515	920										
Sirion	5	1998	→ 2005	Normal					057	057																
Sirion II	5	2005	→ 2016	Normal					033	033																
Terios	5	1997	→ 2005	Normal					025	025																
Terios	5	1998	→ 2005	Rails Int.	SI												156.653	●	107	857	957					
Terios	5	2006	→ 2016	Normal		156.306	●	113	●	120																
Terios	5	2006	→ 2016	Railing	SI						● ●	120	830	930	515	935										
DFSK / Fengon																										
E5	5	2025	→	Rails Int.	SI													●	107	857	957	730				812
Glory 580	5	2021	→	Rails Int.	SI													●	107	857	957	715				812
Glory 600	5	2025	→	Rails Int.	SI													●	107	857	957	730				812
Dodge																										
Journey	5	2008	→ 2011	Railing	SI						● ●	120	830	930	530	935										
Donfeng																										
008	5	2025	→	Rails Int.	SI													●	120							
DR																										
2	5	2010	→ 2014	Railing	SI						● ●	107	815	915	515	920										
3	5	2018	→	Normal	SI				103	103																
4.0	5	2022	→	Railing	SI						● ●	126	830	930	530	935										
5	5	2008	→ 2016	Railing	SI						● ●	120	815	915	515	920										
5.0	5	2020	→	Railing	SI						● ●	120	830	930	515	935										
5.0	5	2024	→	Rails Int.	SI													●	107	857	957	715				812
6***	5	2017	→ 2021	Rails Int.	SI												156.656	●	107	857	957	730				
6.0	5	2021	→	Rails Int.	SI													●	107	857	957	715				812
7.0	5	2025	→	Rails Int.	SI													●	107	857	957	715				812
Collection 3	5	2025	→	Rails Int.	SI													●	107	857	957	715				812
Collection 5	5	2025	→	Rails Int.	SI													●	107	857	957	715				812
Collection 6	5	2025	→	Rails Int.	SI													●	107	857	957	715				812
Collection 7	5	2025	→	Rails Int.	SI													●	107	857	957	715				812
PK8	4	2022	→	Normal	NV				064	064																
Stilnovo 6	5	2025	→	Rails Int.	SI													●	107	857	957	715				812

*** Portata limitata a 50 KG

Vettura	Porte	Anno	Tipo Tetto	Tetto in Vetro	Tetto Normal / Fix Point						Tetto Railing						Tetto Rails Int. - Railing Speciali									
					Componibile				Preassembl.		Componibile			Preassemblata			Componibile			Preassemblata						
					Kit	Piede 156.500	Traversa (Cm)	Rapido	EVO		KIT	PIEDE 156.600	Traversa (Cm)	E.O. SW 156.xxx		FREELINE (156.XXX)	TRAX (157.xxx)	KIT	Piede 156.601	Traversa (Cm)	QUICK 156.xxx		FREELINE (156.xxx)	EDGE KIT	EDGE (157.xxx)	
				Acc	Alu	Acc	Alu	Acc	Alu	Acc				Alu												
DS																										
3	3	2010 → 2019	Fix Point	SI	156.122	●	107	●	107	005	005															
3	5	2018 →	Normal	NV	156.376	●	113	●	113	092	092															
3 Crossback	5	2018 →	Normal	NV	156.376	●	113	●	113	092	092															
4	5	2011 → 2018	Normal		156.250	●	120	●	120	065	065															
4	5	2021 →	Normal	SI	156.393	●	120	●	120	110	110															
4 Cross	5	2021 →	Rails Int.	SI											●	113	865	965	730				820			
5	5	2012 → 2018	Normal	SI	156.283	●	120	●	126	065	065															
7	5	2018 →	Rails Int.	SI											●	107	857	957	715				812			
EMC																										
Sei	5	2025 →	Railing	SI								●	●	120	830	930	515	935								
Wave 3	5	2022 →	Railing	SI								●	●	126	830	930	515	935								
EVO																										
3	5	2022 →	Normal	NV						112	112															
6	5	2025 →	Railing	SI								●	●	113	815	915	515	920		●	107	857	957	715	812	
7	5	2025 →	Rails Int.	SI															●	107	857	957	715	812		
Cross 4	4	2022 →	Normal	NV						064	064															
Electric	5	2022 →	Normal	NV						112	112															
Spazio	5	2025 →	Rails Int.	SI											●	107	857	957	730					812		
Fiat																										
500	3	2007 → 2024	Normal	SI	156.281	●	113	●	113	067	067															
500	3	2025 →	Normal	NV	156.391	●	113	●	113	105	105															
500 e	3	2020 →	Normal	NV	156.391	●	113	●	113	105	105															
500 L	5	2012 → 2023	Normal	SI	156.276	●	126	●	142	065	065															
500 L Living	5	2013 → 2020	Normal	SI	156.276	●	126	●	142	065	065															
500 X ***	5	2015 → 2024	Normal	NO	156.330	●	120	●	120	083	083															
500 X ***	5	2015 → 2024	Normal	SI						083	083															
500 X	5	2015 → 2024	Rails Int.	SI															156.651	●	107	857	957	715	157.401	812
600	5	2025 →	Normal	NV	163.231	●	113	●	120																	
Bravo II	5	2007 → 2014	Normal	SI	156.221	●	120	●	126	065	065															
Cinquecento	3	1991 → 1998	Normal							046	046															
Croma II	5	2005 → 2010	Fix Point	SI	156.116	●	107	●	113																	
Croma II	5	2005 → 2010	Railing	SI								●	●	120	815	915	515	920								
Doblò I	3-5	2000 → 2010	Fix Point	SI	156.102	●	120	●	120	007	007															
Doblò II	5	2010 → 2022	Railing	SI								●	●	142	830	930	530	935								
Doblò III	3-5	2022 →	Railing	SI													530		156.655	●	113	865	965			
Doblò III	5	2024 →	Rails Int.	SI														156.651	●	113	865	965	730			
Doblò Malibù	5	2001 → 2010	Railing	SI								●	●	126	830	930	530	935								
Fiorino (Railing piccoli)	5	2008 → 2024	Railing	SI								●	●	142	830	930	530	935								
Fiorino	3-5	1987 → 2001	Fix Point	SI	156.102	●	113	●	113	002	002															
Fiorino	3-5	2008 → 2024	Fix Point	SI	156.102	●	126	●	142	007	007															

*** Portata limitata a 50 KG

Vettura	Porte	Anno		Tipo Tetto	Tetto in Vetro	Tetto Normal / Fix Point						Tetto Railing						Tetto Rails Int. - Railing Speciali										
						Componibile					Preassembl.	Componibile			Preassemblata			Componibile			Preassemblata							
						Kit	Original		Rapido		EVO		KIT	PIEDE		Traversa (CM)	E.O. SW 156.xxx		FREELINE (156.xxx)	TRAX (157.xxx)	KIT	Piede 156.601	Traversa (CM)	QUICK 156.xxx		FREELINE (156.xxx)	EDGE KIT	EDGE (157.xxx)
							Piede 156.500	Traversa (Cm)	Piede 164.001	Traversa (Cm)	Acc	Alu		156.600	164.002		Acc	Alu						Acc	Alu			
Freemont	5	2011	→ 2016	Railing	SI																							
Fullback Double Cab	4	2016	→ 2018	Fix Point	SI	156.125	●	107	●	113	086	086																
Fullback Single Cab	2	2016	→ 2018	Fix Point	SI	156.125	●	107	●	113	086	086																
Grande Panda	5	2025	→	Normal	NV	163.233	●	120	●	120	114	114																
Grande Panda	5	2025	→	Railing	SI								●	●	113	815	915	515	920									
Grande Punto \ P. Evo	3	2005	→ 2018	Normal	SI	156.251	●	107	●	113	056	056																
Grande Punto \ P. Evo	5	2005	→ 2018	Normal	SI	156.215	●	107	●	113	019	019																
Idea	5	2004	→ 2012	Fix Point	NO	156.117	●	107	●	113	017	017																
Idea	5	2004	→ 2012	Railing	SI								●	●	120	815	915	515	920									
Marea WeekEnd	5	1997	→ 2007	Railing	SI								●	●	107	815	915	515	920									
Marengo	5	1997	→ 2007	Railing	SI								●	●	120	815	915	515	920									
Multipla	5	1999	→ 2010	Fix Point	SI	156.119	●	142	●	142																		
Palio WeekEnd	5	1996	→ 2007	Railing	SI								●	●	107	815	915	515	920									
Panda I	3	1979	→ 2003	Normal							060	060																
Panda I	3	1999	→ 2003	Railing	SI								●	●	113	815	915	530	920									
Panda II	5	2003	→ 2012	Fix Point	SI	156.318	●	113	●	113	058	058																
Panda II	5	2003	→ 2012	Railing	SI								●	●	120	830	930	530	935									
Panda III	5	2012	→	Fix Point	SI	156.124	●	107	●	107	011	011																
Panda III	5	2012	→	Rails Int.	SI								156.419	●	●	120	830	930			●	107	857	957	715	812		
Panda III Cross	5	2014	→	Railing	SI								●	●	120	815	915	515	920		●	107	857	957	715	812		
Panda III Cross	5	2018	→	Rails Int.	SI																●	107	857	957	715	812		
Pandina	5	2024	→	Rails Int.	SI																●	107	857	957	715	812		
Punto I	3	1993	→ 1999	Normal							015	015																
Punto I	5	1993	→ 1999	Normal							020	020																
Punto II	3	1999	→ 2010	Normal		156.203	●	107	●	113	039	039																
Punto II	5	1999	→ 2010	Normal		156.204	●	107	●	107	031	031																
Punto III	5	2012	→ 2018	Normal	SI	156.215	●	107	●	113	019	019																
Qubo	3-5	2008	→ 2024	Fix Point	SI	156.102	●	126	●	142	007	007																
Qubo	5	2008	→ 2024	Railing	SI								156.411	●	●	142	830	930	530									
Regata	5	1984	→ 1991	Railing	SI								●	●	142	830	930	530	935									
Sedici	5	2006	→ 2014	Railing	SI								●	●	120	830	930	515	935									
Seicento	3	1998	→ 2010	Normal							046	046																
Stilo	3-5	2001	→ 2007	Fix Point	SI	156.111	●	113	●	113	017	017																
Stilo SW	5	2001	→ 2010	Railing	SI								●	●	126	830	930	530	935									
Tempra	4	1990	→ 1996	Normal							020	020																
Tempra SW	5	1990	→ 1997	Railing	SI								●	●	107	815	915	515	920									
Tipo	3-5	1988	→ 1995	Normal							020	020																
Tipo	5	2016	→	Normal		156.369	●	113	●	120	076	076																
Tipo Berlina	4	2015	→	Normal		156.368	●	113	●	120	076	076																
Tipo Cross	5	2021	→	Rails Int.	SI																156.657	●	107	857	957	715		
Tipo SW	5	2016	→	Rails Int.	SI																156.651	●	107	857	957	715		

Vettura	Porte	Anno		Tipo Tetto	Tetto in Vetro	Tetto Normal / Fix Point						Tetto Railing						Tetto Rails Int. - Railing Speciali										
						Componibile					Preassembl.		Componibile			Preassemblata			Componibile			Preassemblata						
						Kit	Original		Rapido		EVO		KIT	PIEDE		Traversa (CM)	E.O. SW 156.xxx		FREELINE (156.xxx)	TRAX (157.xxx)	KIT	Piede 156.601	Traversa (CM)	QUICK 156.xxx		FREELINE (156.xxx)	EDGE KIT	EDGE (157.xxx)
							Piede 156.500	Traversa (Cm)	Piede 164.001	Traversa (Cm)	Acc	Alu		156.600	164.002		Acc	Alu						Acc	Alu			
Ulysse I	5	1994	→ 2002	T-Profile	SI																							
Ulysse II	5	2002	→ 2010	Normal		156.304	●	142	●	142																		
Ulysse II	5	2002	→ 2010	T-Profile	SI																							
Uno	5	1984	→ 1995	Railing	SI																							
Ford																												
B-Max	5	2012	→ 2018	Normal	SI																							
Capri	5	2025	→	Normal	NO	163.232	●	120	●	126																		
C-Max 7	5	2010	→ 2019	Railing	SI							●	●	120	830	930	515	935										
C-Max I	3-5	2003	→ 2010	Fix Point	SI	156.114	●	113	●	113	014	014																
C-Max II	5	2010	→ 2019	Normal	SI	156.247	●	126	●	142	084	084																
Connect	3-5	2002	→ 2012	Fix Point	SI	156.102	●	107	●	113	002	002																
Connect (Tourneo)	5	2014	→ 2021	Rails Int.	SI																							
Connect (Grand Tourneo)	5	2014	→ 2021	Rails Int.	SI																							
Connect (Tourneo)	3-5	2022	→	Fix Point	SI	156.102	●	120	●	120																		
Connect (Tourneo)	5	2022	→	Railing	SI								●	●	142	830	930											
Connect (Transit)	3-5	2022	→	Fix Point	SI	156.102	●	120	●	120																		
Connect (Transit)	5	2014	→ 2021	Rails Int.	SI																							
Courier (Tourneo)	3-5	2013	→ 2023	Railing	SI								●	●	120	815	915	515	920									
Courier (Tourneo)	3-5	2014	→ 2023	Fix Point	SI	156.326	●	113	●	113																		
Courier (Tourneo)	3-5	2024	→	Fix Point	NO	156.102	●	120	●	120																		
Courier (Tourneo)	3-5	2024	→	Railing	SI								●	●	126	830	930	530	935									
Courier (Transit)	3-5	2014	→ 2023	Fix Point	SI	156.326	●	113	●	113																		
Courier (Transit)	3-5	2024	→	Fix Point	NO	156.102	●	120	●	120																		
Ecosport (no rails)	5	2012	→ 2023	Normal	NV	163.206	●	113	●	120	036	036																
Edge	5	2016	→ 2022	Rails Int.	SI																							
Escort	4	1990	→ 1999	Normal							026	026																
Escort SW	5	1993	→ 2000	Railing	SI								●	●	107	815	915	515	920									
Fiesta III	3	1989	→ 1995	Fix Point	SI						028	028																
Fiesta IV	3	1995	→ 2002	Fix Point	SI						028	028																
Fiesta IV	5	1995	→ 2002	Normal							025	025																
Fiesta V	3	2002	→ 2008	Normal							043	043																
Fiesta V	5	2002	→ 2008	Normal		156.267	●	113	●	113	055	055																
Fiesta VI	5	2008	→ 2017	Normal		156.234	●	113	●	113	055	055																
Fiesta VII	5	2018	→ 2024	Normal	NO	156.351	●	113			036	036																
Fiesta VII	5	2018	→ 2024	Normal	SI						036	036																
Fiesta VII Active	5	2018	→ 2024	Rails Int.	SI																							
Focus I	5	1998	→ 2004	Normal							018	018																
Focus I SW	5	1999	→ 2004	Railing	SI								●	●	107	815	915	515	920									
Focus II	3-5	2004	→ 2011	Fix Point	SI	156.114	●	113	●	113	014	014																
Focus II SW	5	2004	→ 2011	Fix Point	SI	156.114	●	113	●	113	014	014																
Focus II SW	5	2004	→ 2011	Railing	SI								●	●	120	815	915	515	920									
Focus II SW	5	2004	→ 2011	T-Profile	SI								156.406	●	●	120	830	930										

Vettura	Porte	Anno		Tipo Tetto	Tetto in Vetro	Tetto Normal / Fix Point					Tetto Railing						Tetto Rails Int. - Railing Speciali											
						Componibile				Preassembl.		Componibile			Preassemblata			Componibile			Preassemblata							
						Kit	Original		Rapido		EVO		KIT	PIEDE		Traversa (CM)	E.O. SW		FREELINE (156.xxx)	TRAX (157.xxx)	KIT	Piede	Traversa (CM)	QUICK 156.xxx		FREELINE (156.xxx)	EDGE KIT	EDGE (157.xxx)
							Piede 156.500	Traversa (Cm)	Piede 164.001	Traversa (Cm)	Acc 159.xxx	Alu 162.xxx		156.600	164.002		156.xxx	Acc						Alu	Acc			
Focus III	5	2011	→ 2018	Normal		156.263	●	120	●	120	068	068																
Focus III SW	5	2011	→ 2018	Normal		156.263	●	120	●	120																		
Focus III SW	5	2011	→ 2018	Rails Int.	SI								156.414	●	●	120	830	930			●	107	857	957	715	812		
Focus IV	5	2018	→	Normal	SI						080	080																
Focus IV Active	5	2019	→	Rails Int.	SI															●	107	857	957	715	812			
Focus IV SW	5	2018	→	Rails Int.	SI															●	107	857	957	715	812			
Fusion	5	2002	→ 2012	Normal		156.305	●	113	●	120	055	055																
Galaxy	5	1995	→ 2005	Railing	SI									●	●	126	830	930	530	935								
Galaxy	5	2006	→ 2010	T-Profile	SI								156.406	●	●	126	830	930										
Galaxy	5	2010	→ 2015	Rails Int.	SI															156.653	●	120	865	965				
Galaxy	5	2015	→ 2023	Rails Int.	SI																●	107	857	957	730	812		
KA+	5	2016	→ 2019	Normal	NV						044	044																
Ka+ Active	5	2018	→ 2019	Railing	SI																							
Kuga	5	2008	→ 2013	Railing	SI									●	●	120	830	930	515	935								
Kuga	5	2013	→ 2020	Normal	SI	156.332	●	126	●	142																		
Kuga	5	2013	→ 2020	Railing	SI									●	●	126	830	930	530	935								
Kuga	5	2020	→	Rails Int.	SI																●	120	865	965	730	820		
Mondeo	4	2007	→ 2014	Normal		156.223	●	120	●	126																		
Mondeo SW	5	1993	→ 2000	Railing	SI									●	●	107	815	915	515	920								
Mondeo SW	5	2001	→ 2007	Railing	SI									●	●	107	815	915	515	920								
Mondeo SW	5	2007	→ 2014	Railing	SI									●	●	113	815	915	515	920								
Mondeo SW	5	2012	→ 2014	Rails Int.	SI								156.414	●	●	126	830	930			●	107	857	957	715	812		
Mondeo SW	5	2014	→ 2022	Rails Int.	SI																●	107	857	957	715	812		
Puma	5	2020	→	Normal	NV	156.378	●	113	●	120	090	090																
Puma	5	2020	→	Rails Int.	SI																●	107	857	957	715	812		
Ranger	4	2012	→ 2015	Railing	SI									●	●	126	830	930	530	935								
Ranger	4	2016	→	Railing	SI									●	●	126	830	930	530	935								
Sierra II	5	1987	→ 1993	Fix Point	SI						028	028																
S-Max	5	2006	→ 2015	Fix Point	SI	156.118	●	126	●	126																		
S-Max	5	2015	→ 2023	Normal	NO	156.335	●	142	●	142																		
S-Max	5	2015	→ 2023	Rails Int.	SI																●	113	865	965	730	820		
Forthing																												
Friday	5	2024	→	Railing	SI									●	●	113	815	915	515	920			●	107	857	957	715	812
U-Tour	5	2024	→	Rails Int.	SI																●	107	857	957	730	812		
Foton																												
Tunland V9	4	2025	→	Railing	SI																156.655	●	126					
Honda																												
Accord SW (CE)	5	1994	→ 1997	Railing	SI									●	●	107	815	915	515	920								
Accord SW (CF-CM)	5	1998	→ 2009	Railing	SI									●	●	120	830	930	515	935								
Accord SW (CW)	5	2010	→ 2015	Railing	SI									●	●	120	830	930	515	935								
Civic (FN)	5	2006	→ 2012	Normal	NO	156.284	●	113	●	113	035	035																
Civic (FN)	5	2006	→ 2012	Normal	SI						035	035																

Vettura	Porte	Anno		Tipo Tetto	Tetto in Vetro	Tetto Normal / Fix Point					Tetto Railing						Tetto Rails Int. - Railing Speciali											
						Componibile				Preassembl.		Componibile			Preassemblata			Componibile			Preassemblata							
						Kit	Original		Rapido		EVO		KIT	PIEDE		Traversa (CM)	E.O. SW		FREELINE (156.xxx)	TRAX (157.xxx)	KIT	Piede 156.601	Traversa (CM)	QUICK 156.xxx		FREELINE (156.xxx)	EDGE KIT	EDGE (157.xxx)
							Piede 156.500	Traversa (Cm)	Piede 164.001	Traversa (Cm)	Acc	Alu		156.600	164.002		156.xxx	Acc						Alu	Acc			
Civic Shuttle (EE)	5	1988	→ 1996	Railing	SI								●	●	120	830	930		935									
Civic SW	5	1997	→ 2013	Railing	SI								●	●	107	815	915		920									
CR-V (RD)	5	1996	→ 2002	Railing	SI								●	●	120	815	915	515	920									
FR-V (BE)	5	2004	→ 2011	Railing	SI								●	●	142			530										
HR-V	5	2021	→	Railing	SI								●	●	126	830	930	515	935									
Jazz (GD)	5	2002	→ 2008	Normal	SI					035	035																	
Jazz (GE)	5	2009	→ 2013	Normal	SI	156.306	●	120	●	120																		
Jazz (GK)	5	2013	→ 2019	Normal	NV	156.395	●	113	●	113																		
Jazz Crosstar	5	2020	→	Railing	SI								●	●	120	815	915	515	920									
Odyssey (RA)	5	1995	→ 1999	Railing	SI								●	●	120	830	930		935									
Odyssey (RL)	5	2003	→ 2008	Railing	SI								●	●	126	830	930	530	935									
Pilot (YF)	5	2001	→ 2015	Railing	SI								●	●	142	830	930	530	935									
Z	3	1999	→ 2002	Railing	SI								●	●	120	830	930		935									
ZR-V	5	2022	→	Normal	NV	163.215	●	120	●	126																		
Hyundai																												
Atos (MX)	5	1997	→ 2008	Railing	SI								●	●	107	815	915	515	920									
Atos Prime (MX)	5	1997	→ 2008	Normal	NV					044	044																	
Avante SW	5	1996	→ 2000	Railing	SI								●	●	107	815	915	515	920									
Getz Cross (TB)	5	2006	→ 2011	Railing	SI								●	●	107	815	915	515	920									
H-1	3-4	1997	→ 2007	Railing	SI								●	●	107	815	915	515	920									
H-1	3-4	2008	→ 2021	Railing	SI								●	●	107	815	915	515	920									
i10 (PA)	5	2007	→ 2013	Normal						057	057																	
i10 (IA-BA)	5	2014	→ 2020	Normal	NO	156.316	●	113	●	113	055	055																
i10 (AC3)	5	2020	→	Normal	NV	156.351	●	113			036	036																
i20 (PB)	5	2008	→ 2014	Normal	SI	156.237	●	113	●	113	059	059																
i20 (GB)	5	2015	→ 2020	Fix Point	SI	156.128	●	107	●	107	040	040																
i20 (BC3)	5	2021	→	Normal	NV	156.379	●	113	●	120	093	093																
i20 Active (GB)	5	2015	→ 2020	Railing	SI								●	●	120	815	915	530	920									
i30 (FD)	3-5	2007	→ 2012	Fix Point	SI	156.128	●	107	●	113	009	009																
i30 (GD)	3-5	2012	→ 2017	Fix Point	SI	156.128	●	107	●	107	009	009																
i30 (PD)	5	2017	→	Fix Point	SI	156.128	●	107	●	113	040	040																
i30 SW (FD)	5	2008	→ 2012	Railing	SI								●	●	120	815	915	515	920									
i30 SW (PD)***	5	2017	→	Rails Int.	SI															156.656	●	107	857	957	715			
Inster	5	2025	→	Railing	SI								●	●	107	815	915	515	920									
Inster Cross	5	2025	→	Railing	SI								●	●	107	815	915	515	920									
Ioniq	4	2016	→ 2022	Normal	NV	163.201	●	120	●	120	036	036																
Ioniq 9	5	2025	→	Rails Int.	SI																●	107	857	957	730	812		
ix20 (JC)	5	2010	→ 2019	Normal	SI	156.259	●	120	●	126	035	035																
ix35 (LM)	5	2010	→ 2015	Normal	SI	156.266	●	120	●	126																		
ix35 (LM)	5	2010	→ 2015	Railing	SI								●	●	120	830	930	530	935									
ix35 (LM)***	5	2010	→ 2015	Rails Int.	SI								156.416	●	●	126	830	930		156.656	●	107	857	957	730			

*** Portata limitata a 50 KG

Vettura	Porte	Anno		Tipo Tetto	Tetto in Vetro	Tetto Normal / Fix Point						Tetto Railing						Tetto Rails Int. - Railing Speciali										
						Componibile				Preassembl.		Componibile			Preassemblata			Componibile			Preassemblata							
						Kit	Original		Rapido		EVO		KIT	PIEDE		Traversa (CM)	E.O. SW		FREELINE (156.xxx)	TRAX (157.xxx)	KIT	Piede 156.601	Traversa (CM)	QUICK 156.xxx		FREELINE (156.xxx)	EDGE KIT	EDGE (157.xxx)
							Piede 156.500	Traversa (Cm)	Piede 164.001	Traversa (Cm)	Acc	Alu		156.600	164.002		Acc	Alu						Acc	Alu			
Kona	5	2017	→ 2023	Rails Int.	SI							156.420	●	●	126	830	930											
Matrix (FC)	5	2001	→ 2010	Railing	SI								●	●	107	815	915	515	920									
Santa Fe (SM)	5	2000	→ 2005	Railing	SI								●	●	120	815	915	515	920									
Santa Fe (CM)	5	2006	→ 2012	Railing	SI								●	●	120	830	930	515	935									
Santa Fe (DM)	5	2013	→ 2018	Rails Int.	SI														●	107	857	957	730		812			
Santa Fe	5	2024	→	Railing	SI								●	●	142													
Terracan (HP)	5	2001	→ 2007	Railing	SI								●	●	126	830	930	530	935									
Traject (FO)	5	2000	→ 2008	Railing	SI								●	●	120	815	915	515	920									
Tucson (JM)	5	2004	→ 2009	Railing	SI								●	●	113	815	915	515	920									
Tucson (TL)***	5	2015	→ 2017	Rails Int.	SI														156.656	●	107	857	957	730				
ICH-X																												
K3	5	2025	→	Railing	SI														530		156.655	●	107	857	957			
Infiniti																												
EX	5	2008	→ 2013	Railing	SI								●	●	120	830	930		935									
EX30D	5	2012	→ 2014	Railing	SI								●	●	113	815	915		920									
FX	5	2009	→ 2014	Railing	SI								●	●	120	815	915	530	920									
QX30	5	2016	→ 2019	Rails Int.	SI														●	107	857	957			812			
QX70	5	2013	→ 2017	Railing	SI								●	●	126	830	930	515	935									
QX70	5	2017	→ 2019	Railing	SI								●	●	120	815	915		920									
Isuzu																												
D-Max	4	2012	→ 2019	Railing	SI													530		156.655	●	107	857	957				
Jaecoo																												
5	5	2025	→	Rails Int.	SI															●	107	857	957	730		812		
7	5	2024	→	Rails Int.	SI															●	107	857	957	730		812		
Jaguar																												
E-Pace (X540)	5	2017	→	Normal	NV	163.220	●	126	●	126																		
E-Pace (X540)	5	2017	→	Rails Int.	SI															●	113	865	965	730		820		
F-Pace (X761)	5	2016	→	Rails Int.	SI															●	113	865	965	730		820		
XF SW (X250)	5	2012	→ 2016	Rails Int.	SI															●	107	857	957	730		812		
X-Type SW	5	2003	→ 2009	Railing	SI								●	●	120	815	915	530	920									
Jeep																												
Avenger	5	2023	→	Normal	NV	163.210	●	113	●	120	075	075																
Avenger	5	2023	→	Railing	SI								●	●	120	815	915		920									
Cherokee (XJ)	5	1984	→ 2001	T-Profile	SI								156.406	●	●	142	830	930										
Cherokee (KJ)	5	2001	→ 2008	Railing	SI								●	●	120	830	930	515	935									
Cherokee (KK)	5	2008	→ 2013	Railing	SI								●	●	142	830	930	530	935									
Cherokee (KL)	5	2013	→ 2023	Railing	SI														515									
Compass (MP)	5	2017	→ 2025	Rails Int.	SI															156.654	●	107	857	957	715			
Grand Cherokee (ZJ)	5	1992	→ 1998	Railing	SI								●	●	120	830	930	515	935									
Grand Cherokee (WJ)	5	1999	→ 2004	Railing	SI								●	●	113	815	915	515	920									
Grand Cherokee (WK)	5	2005	→ 2011	Railing	SI								●	●	126	830	930	515	935									

*** Portata limitata a 50 KG

Vettura	Porte	Anno		Tipo Tetto	Tetto in Vetro	Tetto Normal / Fix Point				Tetto Railing						Tetto Rails Int. - Railing Speciali												
						Componibile				Preassembl.		Componibile			Preassemblata			Componibile			Preassemblata							
						Kit	Original		Rapido		EVO		KIT	PIEDE		Traversa (CM)	E.O. SW		FREELINE (156.xxx)	TRAX (157.xxx)	KIT	Piede 156.601	Traversa (CM)	QUICK 156.xxx		FREELINE (156.xxx)	EDGE KIT	EDGE (157.xxx)
							Piede 156.500	Traversa (Cm)	Piede 164.001	Traversa (Cm)	Acc	Alu		156.600	164.002		156.xxx	Acc						Alu	Acc			
Patriot (74)	5	2007	→ 2012	Railing	SI																							
Renegade (BU)	5	2014	→	Normal	SI	156.329	●	126	●	142																		
Renegade (BU)	5	2014	→	Railing	SI																							
Kia																												
Carens (FJ)	5	2002	→ 2006	Railing	SI																							
Carens (RP)	5	2013	→ 2018	Normal	NO	156.324	●	126	●	126																		
Carnival (UP-GQ)	5	1998	→ 2006	Railing	SI																							
Carnival (VQ)	5	2006	→ 2014	Railing	SI																							
Cee'd (ED)	3-5	2006	→ 2012	Fix Point	SI	156.128	●	107	●	113	009	009																
Cee'd (JD) (Panoramic)	5	2012	→ 2018	Normal	SI	156.296	●	126	●	126																		
Cee'd (JD)	3-5	2012	→ 2018	Fix Point	NO	156.128	●	107	●	107	009	009																
Cee'd (CD)	5	2018	→	Fix Point	SI	156.128	●	107	●	113	040	040																
Cee'd SW (ED)	5	2007	→ 2012	Railing	SI																							
Cee'd SW (JD)	5	2012	→ 2017	Rails Int.	SI																							
Cee'd SW (CD)***	5	2018	→	Rails Int.	SI																							
EV3	5	2024	→	Rails Int.	SI																							
EV5	5	2024	→	Rails Int.	SI																							
EV6	5	2022	→	Normal	NV	163.200	●	120	●	120	090	090																
EV9	5	2023	→	Railing	SI																							
Grand Carnival (VQ)	5	2006	→ 2014	Railing	SI																							
Niro ***	5	2016	→ 2022	Rails Int.	SI																							
Niro (SG2)	5	2021	→	Normal	NV	163.201	●	120	●	120	090	090																
Optima SW (JF)***	5	2017	→ 2020	Rails Int.	SI																							
Picanto (BA)	5	2004	→ 2011	Normal	NO						044	044																
Picanto (TA)	5	2011	→ 2017	Normal	NO	156.293	●	107	●	113	059	059																
Picanto (JA)	5	2017	→	Normal	NV	156.380	●	107	●	113																		
Rio (UB)	5	2011	→ 2017	Normal		156.260	●	113	●	120	036	036																
Rio (YB)	5	2017	→ 2023	Normal	NV	156.341	●	113	●	120	113	113																
Rio SW (DC)	5	2000	→ 2005	Railing	SI																							
Sorento (JC)	5	2002	→ 2009	Railing	SI																							
Sorento (XM)	5	2009	→ 2014	Railing	SI																							
Sorento (UM)	5	2015	→ 2020	Rails Int.	SI																							
Soul (AM)	5	2008	→ 2013	Railing	SI																							
Soul (PS)***	5	2014	→ 2018	Rails Int.	SI																							
Soul	5	2014	→ 2018	Fix Point	NV	156.128	●	113	●	113	040	040																
Sportage (JA)	3-5	1994	→ 2004	Railing	SI																							
Sportage (JE)	5	2004	→ 2010	Railing	SI																							
Sportage (SL)***	5	2010	→ 2016	Rails Int.	SI																							
Sportage (QL)***	5	2016	→ 2021	Rails Int.	SI																							
Stonic (YB)	5	2017	→	Railing	SI																							
Venga (YN)	5	2010	→ 2019	Normal	SI	156.259	●	120	●	126	035	035																

*** Portata limitata a 50 KG

Vettura	Porte	Anno	Tipo Tetto	Tetto in Vetro	Tetto Normal / Fix Point						Tetto Railing						Tetto Rails Int. - Railing Speciali											
					Componibile				Preassembl.		Componibile			Preassemblata			Componibile			Preassemblata								
					Kit	Piede 156.500	Traversa (Cm)	Rapido Piede 164.001	Traversa (Cm)	EVO Acc	Alu 162.xxx	KIT	PIEDE 156.600	164.002	Traversa (Cm)	E.O. SW 156.xxx	Acc	Alu	FREELINE (156.xxx)	TRAX (157.xxx)	KIT	Piede 156.601	Traversa (Cm)	QUICK 156.xxx	Acc	Alu	FREELINE (156.xxx)	EDGE KIT
Lada																												
111 SW	5	1998 → 2007	Railing	SI																								
2102 Niva	5	1984 →	Railing	SI																								
2104 Niva	5	1984 →	Railing	SI																								
Lancia																												
Delta	5	2008 → 2014	Normal	SI	156.233	●	120	●	126	065	065																	
Kappa	4	1994 → 2001	Normal	SI						027	027																	
Musa	5	2004 → 2012	Fix Point	NO	156.117	●	107	●	113	017	017																	
Musa	5	2004 → 2012	Railing	SI									●	●	120	830	930	530	935									
Phedra	5	2002 → 2010	Normal		156.304	●	142	●	142																			
Phedra	5	2002 → 2010	T-Profile	SI								156.406	●	●	142	830	930											
Ypsilon I	3	2003 → 2011	Normal	NO	156.218	●	107	●	113	043	043																	
Ypsilon II	5	2011 → 2024	Normal	NO	156.249	●	120	●	120	065	065																	
Ypsilon II	5	2011 → 2024	Normal	SI						065	065																	
Ypsilon III	5	2024 →	Normal	NO	156.371	●	113	●	113	075	075																	
Zeta	5	1995 → 2002	T-Profile	SI								156.406	●	●	126	830	930											
Land Rover																												
Discovery	5	1996 → 2004	Railing	SI									●	●	142			530										
Discovery	5	2004 → 2010	Railing	SI									●	●	126	830	930	530	935									
Discovery	5	2010 → 2017	T-Profile	SI								156.406	●	●	120	830	930											
Discovery	5	2017 →	Railing	SI																●	120	865	965	730		820		
Discovery Sport (L550)	5	2015 →	Normal	NV	156.367	●	126	●	142																			
Discovery Sport (L550)	5	2015 →	Railing	SI									●	●	126	830	930	530	935		●	107	857	957	730		812	
Evoque (L538)	5	2011 → 2018	Normal	NO	156.303	●	126	●	142																			
Evoque (L538)	5	2011 → 2018	Railing	SI									●	●	126	830	930	530	935									
Freelander I	5	1998 → 2006	Railing	SI									●	●	107	815	915	515	920									
Freelander II	5	2006 → 2016	Normal		156.255	●	120	●	126																			
Freelander II	5	2006 → 2016	Railing	SI									●	●	120	830	930	530	935									
Range II	5	1994 → 2002	Fix Point	SI	156.213	●	113	●	120																			
Velar	5	2017 →	Rails Int.	SI																●	113	865	965	730		820		
Leapmotor																												
C10	5	2023 →	Railing	SI																●	107	857	957	715		812		
T03	5	2020 →	Normal	SI						036	036																	
Lepas																												
L8	5	2025 →	Rails Int.	SI																●	107	857	957	730		812		
Lexus																												
ES (XZ10)	4	2018 →	Normal	NV	163.204	●	120	●	126	103	103																	
NX (Z1)	5	2015 → 2021	Rails Int.	SI																●	107	857	957	715		812		
RX (U3)	5	2003 → 2009	Railing	SI									●	●	120	830	930	515	935									
RX (L1)	5	2009 → 2015	Railing	SI									●	●	120	830	930	515	935									
RX (L2)	5	2016 → 2022	Rails Int.	SI																●	107	857	957	730		812		
UX	5	2019 →	Rails Int.	SI																●	107	857	957	715		812		

Vettura	Porte	Anno	Tipo Tetto	Tetto in Vetro	Tetto Normal / Fix Point				Tetto Railing						Tetto Rails Int. - Railing Speciali											
					Componibile				Preassembl.		Componibile			Preassemblata			Componibile			Preassemblata						
					Kit	Piede 156.500	Traversa (Cm)	Rapido Piede 164.001	Traversa (Cm)	EVO		KIT	PIEDE		Traversa (CM)	E.O. SW 156.xxx		FREELINE (156.xxx)	TRAX (157.xxx)	KIT	Piede 156.601	Traversa (CM)	QUICK 156.xxx		FREELINE (156.xxx)	EDGE KIT
					Acc	Alu	159.xxx	162.xxx		156.600	164.002			Acc		Alu										
Linky & Co																										
01	5	2018	→		Railing	SI																				
Mahindra																										
Goa	5	2002	→	2013	Railing	SI																				
Maserati																										
Levante	5	2016	→		Rails Int.	SI																			820	
Mazda																										
121 (JASM-JBSM)	3	1996	→	2001	Fix Point	SI					028	028														
121 (JASM-JBSM)	5	1996	→	2001	Normal						025	025														
2 (DE)	3-5	2007	→	2015	Fix Point	SI	156.128	●	107	●	107	009	009													
2 (DL-DJ)	5	2015	→	2021	Normal		156.333	●	113	●	113	097	097													
2 (KB)	5	2022	→		Normal	NV	156.397	●	107	●	107															
3 (BK)	4-5	2004	→	2009	Fix Point	SI	156.128	●	107	●	113	040	040													
3 (BL)	4-5	2009	→	2013	Fix Point	SI	156.128	●	107	●	113	040	040													
3 (BM)	5	2013	→	2019	Normal		156.307	●	120	●	126	071	071													
3 (BP sedan)	4	2019	→		Fix Point	NV	156.127	●	113	●	120															
3 (BP)	5	2019	→		Fix Point	SI	156.127	●	113	●	120															
5 (CR-CW)	5	2005	→	2015	Fix Point	SI	156.128	●	107	●	113	009	009													
5 (CR-CW)	5	2005	→	2015	Railing	SI								●	●	120	815	915	515	920						
6 (GH)	4	2007	→	2012	Fix Point	SI	156.128	●	107	●	107	009	009													
6 SW (GY)	5	2002	→	2008	Railing	SI								●	●	120	815	915	515	920						
6 SW (GH)	5	2008	→	2013	Railing	SI								●	●	113	815	915	515	920						
6 SW (GJ-GL)	5	2013	→		Railing	SI								●	●	120	830	930	515	935						
626 SW (GV)	5	1988	→	1997	Railing	SI								●	●	107	815	915	515	920						
626 SW (GW)	5	1998	→	2002	Railing	SI								●	●	120	830	930		935						
CX-3 (DK)	5	2015	→		Normal		156.320	●	113	●	120	096	096													
CX-30 (DM)	5	2020	→		Normal	NV	156.381	●	120	●	126	090	090													
CX-5 (KE)	5	2012	→	2017	Fix Point	SI	156.128	●	113	●	113	040	040													
CX-5 (KI)	5	2026	→		Rails Int.	SI															●	107	857	957	730	812
CX-60	5	2022	→		Normal	NV	163.214	●	142	●	142															
CX-7 (ER)	5	2006	→	2012	Fix Point	SI	156.128	●	120	●	120															
CX-80	5	2024	→		Rails Int.	SI															●	113	865	965	730	820
Demio (DW)	5	1998	→	2003	Railing	SI								●	●	120	815	915	515	920						
MPV (LV)	5	1995	→	1999	Railing	SI								●	●	120	830	930	515	935						
MPV (LW)	5	1999	→	2005	T-Profile	SI						156.406		●	●	126	830	930								
MX-30 (DR)	5	2021	→		Normal	NV	156.382	●	126	●	142	096	096													
Premacy (CP)	5	1999	→	2004	Railing	SI								●	●	120	815	915	515	920						
Tribute (EP)	5	2000	→	2004	Railing	SI								●	●	120	815	915	530	920						
Mercedes																										
190 (W201)	4	1982	→	1993	Normal							024	024													
200-230-300TE	5	1985	→	1995	Railing	SI								●	●	126	830	930		935						

Vettura	Porte	Anno		Tipo Tetto	Tetto in Vetro	Tetto Normal / Fix Point						Tetto Railing						Tetto Rails Int. - Railing Speciali										
						Componibile				Preassembl.		Componibile			Preassemblata			Componibile			Preassemblata							
						Kit	Original		Rapido		EVO		KIT	PIEDE		Traversa (CM)	E.O. SW 156.xxx		FREELINE (156.xxx)	TRAX (157.xxx)	KIT	Piede 156.601	Traversa (CM)	QUICK 156.xxx		FREELINE (156.xxx)	EDGE KIT	EDGE (157.xxx)
							Piede 156.500	Traversa (Cm)	Piede 164.001	Traversa (Cm)	Acc	Alu 162.xxx		156.600	164.002		Acc	Alu						Acc	Alu			
GL (X164)	5	2006	→ 2015	Railing	SI																							
GLA (X156)	5	2014	→ 2020	Rails Int.	SI																							
GLA (H247)	5	2020	→	Rails Int.	SI																							
GLB (X247)	5	2020	→	Railing	SI																							
GLC (X253)	5	2015	→ 2021	Rails Int.	SI																							
GLC (X254)	5	2022	→	Rails Int.	SI																							
GLC Coupé (C253)	5	2015	→ 2023	Fix Point	SI	156.106	●	120	●	126																		
GLE (W166)	5	2015	→ 2019	Railing	SI																							
GLE (V167)	5	2019	→	Railing	SI																							
GLE Coupé (C292)	5	2015	→ 2019	Fix Point	SI	156.115	●	126	●	142																		
GLK (X204)	5	2008	→ 2015	Railing	SI																							
GLS (X166)	5	2016	→ 2019	Railing	SI																							
ML (W163)	5	1997	→ 2005	Railing	SI																							
ML (W164)	5	2005	→ 2011	Railing	SI																							
ML (W166)	5	2011	→ 2015	Railing	SI																							
Vaneo (W414)	5	2002	→ 2005	Railing	SI																							
Viano (W639)	3-5	2003	→ 2013	Railing	SI																							
Vito (W638)	3-5	1996	→ 2003	Railing	SI																							
Vito (W638)	3-5	1996	→ 2003	T-Profile	SI																							
Vito (W639)	5	2003	→ 2013	Railing	SI																							
MG																												
4	5	2022	→	Normal	NV	163.205	●	120	●	120	064	064																
5	5	2020	→	Railing	SI																							
HS	5	2018	→ 2024	Rails Int.	SI																							
HS	5	2024	→	Rails Int.	SI																							
S5	5	2025	→	Rails Int.	SI																							
ZS	5	2017	→ 2024	Railing	SI																							
ZS	5	2024	→	Rails Int.	SI																							
ZT-T SW	5	2002	→ 2005	Railing	SI																							
Mini																												
Aceman (J05)	5	2024	→	Rails Int.	SI																							
Clubman (R55)	5	2009	→ 2014	Railing	SI																							
Clubman (F54) ***	5	2015	→ 2024	Normal	SI	156.342	●	120	●	126	036	036																
Clubman (F54)	5	2016	→ 2024	Rails Int.	SI																							
Cooper (F55-F56) ***	5	2014	→ 2024	Normal	SI	156.342	●	113	●	120																		
Cooper (F55-F56)	3-5	2014	→ 2024	Rails Int.	SI																							
Countryman (R60)	5	2010	→ 2017	Rails Int.	SI																							
Countryman (F60)	5	2017	→ 2023	Railing	SI																							
Countryman (U25)	5	2024	→	Rails Int.	SI																							
Paceman (R61)	3	2013	→ 2017	Rails Int.	SI																							

*** Portata limitata a 50 KG

Vettura	Porte	Anno	Tipo Tetto	Tetto in Vetro	Tetto Normal / Fix Point						Tetto Railing						Tetto Rails Int. - Railing Speciali										
					Componibile					Preassembl.		Componibile			Preassemblata			Componibile			Preassemblata						
					Kit	Piede 156.500	Traversa (Cm)	Piede 164.001	Traversa (Cm)	EVO Acc Alu 159.xxx 162.xxx		KIT	PIEDE 156.600 164.002	Traversa (Cm)	E.O. SW 156.xxx Acc Alu		FREELINE (156.XXX)	TRAX (157.xxx)	KIT	Piede 156.601	Traversa (Cm)	QUICK 156.xxx Acc Alu		FREELINE (156.xxx)	EDGE KIT	EDGE (157.xxx)	
Mitsubishi																											
ASX I	5	2010 → 2022	Fix Point	SI	156.128	●	113	●	120	040	040																
ASX I	5	2010 → 2022	Rails Int.	SI															156.651	●	107	857	957	730	157.401	812	
ASX II	5	2023 →	Normal	NV	156.399	●	120	●	120	075	075																
ASX II	5	2023 →	Rails Int.	SI																●	107	857	957	715		812	
Colt	5	2023 →	Normal	NV	156.374	●	113	●	120	084	084																
Eclipse Cross (GK)	5	2018 →	Rails Int.	SI															156.651	●	107	857	957	730	157.401	812	
Galant SW (E50)	5	1992 → 1996	Railing	SI								●	●	107	815	915	515	920									
Galant SW (EA0)	5	1997 → 2002	Railing	SI								●	●	107	815	915	515	920									
Grandis (NA)	5	2003 → 2011	Railing	SI								●	●	120	830	930	515	935									
L200 Double Cab (K6)	4	1996 → 2005	Normal		156.255	●	120	●	120																		
L200 Double Cab (KA0T)	4	2006 → 2015	Normal		156.271	●	113	●	120																		
L200 Double Cab (KJ)	4	2016 →	Fix Point	SI	156.125	●	107	●	113	086	086																
L200 Single Cab (KJ)	2	2016 →	Fix Point	SI	156.125	●	107	●	113	086	086																
Lancer (CY0-CX)	4-5	2008 → 2015	Fix Point	SI	156.128	●	113	●	113	040	040																
Lancer Evo 10	4	2008 → 2016	Fix Point	SI	156.128	●	113	●	113	040	040																
Outlander (CU)	5	2003 → 2007	Railing	SI								156.411	●	●	142			515									
Outlander (CW)	5	2005 → 2012	Railing	SI									●	●	120	830	930	530	935								
Outlander (GG-GF)	5	2013 → 2022	Rails Int.	SI															156.651	●	113	865	965	730	157.401	820	
Pajero (V20)	5	1991 → 1999	Railing	SI									●	●	126	830	930	515	935								
Pajero (V60)	5	2000 → 2006	Railing										●	●	120	830	930	530	935								
Pajero (V80)	3-5	2006 → 2018	Railing										●	●	120	830	930	530	935								
Pajero (V80)	5	2006 → 2018	Normal		156.291	●	126	●	142																		
Pajero Pinin (V60)	5	1999 → 2007	Railing	SI									●	●	113	815	915	515	920								
Pajero Sport (K90)	5	1998 → 2006	Normal		156.255	●	120	●	120	035	035																
Pajero Sport (K90)	5	1998 → 2008	Railing	SI									●	●	120	830	930	515	935								
Pajero Sport (KH-KG)	5	2009 → 2016	Railing	SI									●	●	107	815	915	515	920								
Sigma SW (F0)	5	1993 → 1997	Railing	SI									●	●	107	815	915	515	920								
Space Runner (N1-N2)	5	1991 → 1998	Railing	SI									●	●	120	815	915	515	920								
Space Star (DG0)	5	1998 → 2001	Railing	SI									●	●	120	830	930		935								
Space Star (DG0)	5	2002 → 2005	Railing	SI									●	●	120	830	930	515	935								
Space Wagon (N3-N5)	3-5	1991 → 2003	Railing	SI									●	●	120	815	915	515	920								
Triton Double Cab (KK-KL)	4	2016 → 2023	Fix Point	SI	156.125	●	107	●	113	086	086																
Triton Single Cab (KK-KL)	2	2016 → 2023	Fix Point	SI	156.125	●	107	●	113	086	086																
Nissan																											
Almera (N15)	4	1995 → 2000	Normal							021	021																
Almera SW (N16)	5	1999 → 2006	Railing	SI									●	●	120	830	930		935								
Juke (F15)	5	2010 → 2019	Normal	NO	156.265	●	113	●	120	057	057																
Juke (F15)	5	2010 → 2019	Normal	SI						057	057																
Juke (F16)	5	2019 →	Normal	NV	163.213	●	113	●	113																		
Kubistar (X76)	3-5	2003 → 2009	Fix Point	SI	156.102	●	107	●	107	006	006																

Vettura	Porte	Anno		Tipo Tetto	Tetto in Vetro	Tetto Normal / Fix Point						Tetto Railing						Tetto Rails Int. - Railing Speciali									
						Componibile					Preassembl.		Componibile			Preassemblata			Componibile			Preassemblata					
						Kit	Piede 156.500	Traversa (Cm)	Piede 164.001	Traversa (Cm)	Acc 159.xxx	Alu 162.xxx	KIT	PIEDE 156.600	164.002	Traversa (CM)	E.O. SW 156.xxx		FREELINE (156.XXX)	TRAX (157.xxx)	KIT	Piede 156.601	Traversa (CM)	QUICK 156.xxx		FREELINE (156.xxx)	EDGE KIT
Micra (K11)	3	1992	→ 2003	Normal						052	052																
Micra (K11)	5	1992	→ 2003	Normal						025	025																
Micra (K13)	5	2010	→ 2017	Normal	SI					023	023																
Micra (K14)	5	2017	→ 2024	Normal		156.324	●	113	●	113	094	094															
Murano (Z51)	5	2005	→ 2014	Railing	SI								●	●	126	830	930	530	935								
Navara (D40)	4	2004	→ 2015	Railing	SI								●	●	120	830	930	515	935								
Navara (D23)	4	2016	→	Railing	SI								●	●	120	815	915	515	920								
Note (E11)	5	2004	→ 2014	Normal	SI					035	035																
Note (E12)	5	2012	→ 2020	Normal	NO	156.306	●	120	●	120																	
NV250	3-5	2009	→ 2021	Fix Point	SI	156.102	●	113	●	113	002	002															
Patfhinder (R52)	5	2014	→ 2021	Railing	SI								●	●	142	830	930	530	935								
Patrol (Y61)	5	1998	→ 2010	Railing	SI								●	●	142			530									
Pixo (UA0)	5	2009	→ 2014	Normal	NO					033	033																
Primera (P10)	5	1990	→ 1996	Normal						021	021																
Primera SW (P10-P11-P12)	5	1991	→ 2007	Railing	SI								●	●	120	815	915	515	920								
Pulsar (C13)	5	2014	→ 2018	Normal		156.324	●	120	●	120																	
Qashqai (J10)	5	2007	→ 2014	Normal	NO	156.235	●	120	●	126																	
Qashqai (J10)	5	2007	→ 2014	Railing	SI								●	●	126	830	930	515	935								
Qashqai (J11)	5	2014	→ 2021	Normal	NV	156.312	●	126	●	126	084	084															
Qashqai (J11)	5	2014	→ 2021	Railing	SI								●	●	126	830	930	530	935		●	107	857	957	730	812	
Qashqai (J12) ***	5	2021	→	Rails Int.	SI															●	113	865	965	730		820	
Qashqai (J12)	5	2021	→	Normal	NV	163.212	●	126	●	142																	
Qashqai+2 (JJ10)	5	2007	→ 2014	Railing	SI								●	●	126	830	930	530	935								
Terrano (WD21)	5	1986	→ 1996	Railing	SI								●	●	120	830	930		935								
Terrano (R20)	5	1993	→ 2006	Railing	SI								●	●	120	815	915	515	920								
Townstar	3-5	2022	→	Fix Point	NV	156.102	●	107	●	113	006	006															
X-Trail (T30-T31)	5	2001	→ 2014	T-Profile	SI								156.406	●	●	142	830	930									
X-Trail (T32)	5	2014	→ 2021	Railing	SI									●	●	120	815	915	515	920							
X-Trail (T33)	5	2022	→	Fix Point	SI	156.132	●	107	●	107	111	111															
Omoda																											
7	5	2025	→	Rails Int.	SI															●	113	865	965	730		820	
Opel																											
Adam	3	2013	→ 2019	Fix Point	SI	156.222	●	107	●	107	069	069															
Agila A	5	2000	→ 2008	Railing	SI									●	●	120	815	915	515	920							
Agila B	5	2008	→ 2015	Normal	SI	156.237	●	107	●	113																	
Antara	5	2006	→ 2015	Railing	SI									●	●	113	815	915	515	920							
Astra F	3-5	1991	→ 1998	Fix Point	SI	156.213	●	107	●	107	028	028															
Astra F SW	5	1991	→ 1998	Railing	SI									●	●	107	815	915	515	920							
Astra G	3-5	1998	→ 2004	Fix Point	SI	156.213	●	107	●	107	028	028															
Astra G SW	5	1998	→ 2004	Fix Point	SI	156.213	●	107	●	107	028	028															
Astra G SW	5	1998	→ 2004	Railing	SI									●	●	107	815	915	515	920							

*** Portata limitata a 50 KG

Vettura	Porte	Anno		Tipo Tetto	Tetto in Vetro	Tetto Normal / Fix Point						Tetto Railing						Tetto Rails Int. - Railing Speciali										
						Componibile					Preassembl.		Componibile			Preassemblata			Componibile			Preassemblata						
						Kit	Original		Rapido		EVO		KIT	PIEDE		Traversa (CM)	E.O. SW		FREELINE (156.xxx)	TRAX (157.xxx)	KIT	Piede	Traversa (CM)	QUICK		FREELINE (156.xxx)	EDGE KIT	EDGE (157.xxx)
							Piede 156.500	Traversa (Cm)	Piede 164.001	Traversa (Cm)	Acc	Alu		156.600	164.002		156.xxx	Acc						Alu	Acc			
Astra H	3	2004	→ 2011	Fix Point	SI	156.107	●	107	●	107	047	047																
Astra H	5	2004	→ 2011	Fix Point	SI	156.107	●	107	●	107	047	047																
Astra H SW	5	2004	→ 2011	Fix Point	SI	156.107	●	107	●	107	047	047																
Astra H SW*	5	2004	→ 2007	Rails Int.	SI								156.402	●	●	113	815	915										
Astra H SW**	5	2007	→ 2011	Rails Int.	SI								156.409	●	●	113	815	915	●	107	857	957	715		812			
Astra J	3-5	2009	→ 2015	Fix Point	SI	156.222	●	107	●	107	070	070																
Astra J Berlina	4	2012	→ 2018	Fix Point	SI	156.222	●	107	●	107	070	070																
Astra J SW	5	2010	→ 2015	Rails Int.	SI								156.405	●	●	113	815	915	●	107	857	957	715		812			
Astra K	5	2015	→ 2021	Normal	SI	156.328	●	120	●	120	065	065																
Calibra	3	1990	→ 1997	Fix Point	SI	156.213	●	107	●	107	028	028																
Combo C	3	2001	→ 2012	Fix Point	SI	156.102	●	113	●	113	002	002																
Combo D	5	2012	→ 2018	Railing	SI								●	●	142	830	930	530	935									
Combo E	3-5	2018	→	Railing	SI													530		156.655	●	113	865	965				
Corsa B	3-5	1993	→ 2000	Fix Point	SI	156.213	●	107	●	107	028	028																
Corsa B SW	5	1993	→ 2000	Railing	SI								●	●	120	815	915											
Corsa C	3-5	2000	→ 2006	Fix Point	SI	156.213	●	107	●	107	028	028																
Corsa D	3-5	2006	→ 2015	Fix Point	SI	156.222	●	107	●	113	069	069																
Corsa E	3-5	2015	→ 2019	Fix Point	SI	156.222	●	107	●	113	069	069																
Corsa F	5	2019	→	Normal	NV	156.371	●	113	●	120	075	075																
Crossland X	5	2017	→ 2024	Normal	NO	156.348	●	120	●	120	065	065																
Crossland X	5	2017	→ 2024	Rails Int.	SI														●	107	857	957	715		812			
Frontera	5	1991	→ 2004	Railing	SI								●	●	126	830	930	530	935									
Frontera	5	2025	→	Normal	NV	163.229	●	113	●	120	084	084								●	107	857	957	715	157.401	812		
Frontera	5	2025	→	Rails Int.	SI														●	107	857	957	715	157.401	812			
Grandland	5	2025	→	Normal	NV	163.230	●	120	●	126	080	080																
Grandland X	5	2017	→ 2024	Normal	NV	156.365	●	120	●	126	075	075								●	107	857	957	715		812		
Grandland X	5	2017	→ 2024	Rails Int.	SI														●	107	857	957	715		812			
Insignia A	4	2008	→ 2017	Normal	SI	156.287	●	126	●	126	065	065																
Insignia A SW	5	2009	→ 2017	Rails Int.	SI								156.407	●	●	126	830	930		●	107	857	957	730		812		
Insignia B SW	5	2017	→ 2023	Rails Int.	SI														●	107	857	957	730		812			
Kadett E	3-5	1984	→ 1991	Fix Point	SI	156.213	●	120	●	120	028	028																
Kadett E SW	5	1984	→ 1991	Railing	SI								●	●	107	815	915	515	920									
Karl Rocks	5	2017	→ 2019	Railing	SI								●	●	107	815	915	515	920									
Meriva A	5	2003	→ 2010	Fix Point	SI	156.222	●	107	●	107	069	069																
Meriva B	5	2010	→ 2017	Fix Point	SI	156.222	●	113	●	113	069	069																
Mokka \ Mokka X	5	2013	→ 2021	Rails Int.	SI														●	107	857	957	715		812			
Mokka	5	2021	→	Normal	NV	156.394	●	113	●	113																		
Omega A SW	5	1986	→ 1994	Railing	SI								●	●	120	815	915	515	920									
Omega B SW	5	1994	→ 2006	Railing	SI								●	●	120	815	915	515	920									
Signum	5	2003	→ 2008	Fix Point	SI	156.222	●	120	●	126																		
Signum	5	2003	→ 2008	Rails Int.	SI								156.402	●	●	126	830	930										

* Rail int. con due bugne quadre in rilievo - ** Rail int. con due fori tondi in bassofondo

Vettura	Porte	Anno	Tipo Tetto	Tetto in Vetro	Tetto Normal / Fix Point						Tetto Railing						Tetto Rails Int. - Railing Speciali										
					Componibile				Preassembl.		Componibile			Preassemblata			Componibile			Preassemblata							
					Kit	Original		Rapido		EVO		KIT	PIEDE		Traversa (CM)	E.O. SW		FREELINE (156.xxx)	TRAX (157.xxx)	KIT	Piede 156.601	Traversa (CM)	QUICK 156.xxx		FREELINE (156.xxx)	EDGE KIT	EDGE (157.xxx)
						Piede 156.500	Traversa (Cm)	Piede 164.001	Traversa (Cm)	Acc	Alu		156.600	164.002		Acc	Alu						Acc	Alu			
Sintra	5	1996 → 1999	Railing	SI																							
Tigra A	3	1994 → 2000	Fix Point	SI	156.213	●	107	●	107	028	028																
Vectra B SW	5	1996 → 2003	Railing	SI																							
Vectra C	4	2002 → 2008	Fix Point	SI	156.222	●	113	●	120																		
Vectra C SW	5	2002 → 2008	Rails Int.	SI								156.402	●	●	126	830	930										
Zafira A	5	1999 → 2005	Railing	SI									●	●	113	815	915	515	920								
Zafira B *	5	2005 → 2007	Rails Int.	SI								156.402	●	●	126	830	930										
Zafira B **	5	2007 → 2014	Rails Int.	SI								156.409	●	●	120	830	930										
Zafira B Cosmo	5	2007 → 2011	Fix Point	SI	156.107	●	113	●	113	014	014																
Zafira C (Tourer)	5	2011 → 2018	Fix Point	SI	156.222	●	113	●	113	069	069																
Zafira C (Tourer)	5	2011 → 2018	Rails Int.	SI								156.405	●	●	126	830	930										
Peugeot																											
1007	3	2005 → 2010	Normal		156.269	●	120	●	126																		
1007	3	2005 → 2010	Railing	SI									●	●	126	830	930	530	935								
106	3	1991 → 2003	Normal							052	052																
106	5	1991 → 2003	Normal							025	025																
107	5	2005 → 2014	Normal	SI						049	049																
108	5	2014 → 2021	Normal	NO	156.366	●	107	●	113	059	059																
108	5	2014 → 2021	Normal	SI						059	059																
2008	5	2013 → 2019	Railing	SI									●	●	113	815	915	515	920								
2008	5	2020 →	Normal	NV	156.387	●	113	●	113	092	092																
205	5	1983 → 1998	Normal							025	025																
206	5	1998 → 2012	Normal		156.219	●	107	●	113	030	030																
206 SW	5	2002 → 2013	Railing	SI									●	●	107	815	915	515	920								
207	3-5	2006 → 2015	Fix Point	SI	156.122	●	107	●	107	005	005																
207 SW	5	2007 → 2013	Railing	SI									●	●	120	815	915	515	920								
208	3	2012 → 2019	Normal	NO	156.275	●	113	●	113	066	066																
208	3	2012 → 2019	Normal	SI						066	066																
208	5	2012 → 2019	Normal	NO	156.274	●	113	●	113	065	065																
208	5	2012 → 2019	Normal	SI						065	065																
208	5	2019 →	Normal	NO	156.371	●	113	●	120	075	075																
3008 I	5	2009 → 2016	Fix Point	SI	156.122	●	120	●	126	016	016																
3008 II ***	5	2016 → 2023	Rails Int.	SI																							
3008 II	5	2016 → 2023	Normal	NV	156.363	●	120	●	126	075	075																
3008 III	5	2024 →	Normal	NV	163.228	●	120	●	120	080	080																
306	5	1994 → 2002	Normal							026	026																
306 SW	5	1994 → 2002	Railing	SI									●	●	107	815	915	515	920								
307	3-5	2001 → 2009	Fix Point	SI	156.104	●	107	●	113	004	004																
307 SW	5	2002 → 2008	Railing	SI									●	●	120	815	915	515	920								

* Rail int. con due bugne quadre in rilievo - ** Rail int. con due fori tondi in bassofondo - *** Portata limitata a 50 KG - Capacité de charge limitée à 50 KG

Vettura	Porte	Anno		Tipo Tetto	Tetto in Vetro	Tetto Normal / Fix Point						Tetto Railing						Tetto Rails Int. - Railing Speciali										
						Componibile					Preassembl.		Componibile			Preassemblata			Componibile			Preassemblata						
						Kit	Original		Rapido		EVO		KIT	PIEDE		Traversa (CM)	E.O. SW		FREELINE (156.XXX)	TRAX (157.XXX)	KIT	Piede 156.601	Traversa (CM)	QUICK 156.XXX		FREELINE (156.XXX)	EDGE KIT	EDGE (157.XXX)
							Piede 156.500	Traversa (Cm)	Piede 164.001	Traversa (Cm)	Acc	Alu		156.600	164.002		156.XXX	Acc						Alu	Acc			
308	3-5	2007	→ 2013	Fix Point	SI	156.122	●	113	●	113	016	016																
308	5	2013	→ 2021	Normal	NO	156.347	●	120	●	120	075	075																
308	5	2021	→	Normal	NO	156.388	●	113	●	120	104	104																
308	5	2021	→	Normal	SI						104	104																
308 SW	5	2008	→ 2014	Railing	SI								●	●	120	815	915	515	920									
308 SW	5	2014	→ 2021	Rails Int.	SI													●	107	857	957	730		812				
308 SW	5	2016	→ 2021	Normal	NO	156.347	●	120	●	120	075	075																
308 SW	5	2022	→	Normal	NO	156.388	●	113	●	120	104	104																
308 SW	5	2022	→	Normal	SI						104	104																
4007	5	2007	→ 2012	Railing	SI								●	●	126	830	930	530	935									
4008	5	2012	→ 2017	Fix Point	SI	156.128	●	113	●	120	040	040																
4008	5	2012	→ 2017	Rails Int.	SI													156.651	●	107	857	957	730	157.401 812				
405	4	1987	→ 1996	Normal							027	027																
405 SW	5	1988	→ 1997	Railing	SI								●	●	107	815	915	515	920									
406	4	1995	→ 2005	Normal							026	026																
406 SW	5	1997	→ 2005	Railing	SI								●	●	107	815	915	515	920									
407	3-4	2004	→ 2012	Fix Point	SI	156.122	●	107	●	107	005	005																
407 SW	5	2004	→ 2012	Railing	SI								●	●	120	830	930	515	935									
408	5	2023	→	Normal	NV	163.217	●	113	●	120	104	104																
5008 (No Rails)	5	2009	→ 2016	Fix Point	SI	156.122	●	120	●	126	016	016																
5008 ***	5	2017	→ 2024	Rails Int.	SI													●	107	857	957	715		812				
505 SW	5	1980	→ 1992	Railing	SI								●	●	120	815	915		920									
508	4	2011	→ 2018	Normal	NO	156.286	●	120	●	120	065	065																
508 SW / 508 RXH	5	2011	→ 2018	Rails Int.	SI													●	107	857	957	715		812				
508 SW	5	2018	→	Rails Int.	SI													●	107	857	957	730		812				
806	5	1994	→ 2002	T-Profile	SI								156.406	●	●	126	830	930										
807	5	2002	→ 2010	Normal		156.304	●	142	●	142																		
807	5	2002	→ 2010	T-Profile	SI								156.406	●	●	142	830	930										
Bipper	3-5	2007	→ 2016	Fix Point	SI	156.102	●	126	●	142	007	007																
Bipper	3-5	2007	→ 2016	Railing	SI								●	●	142	830	930	530	935									
Partner - Ranch	3-5	1996	→ 2008	Normal		156.209	●	107	●	113	022	022																
Partner I	5	2001	→ 2007	Railing	SI								●	●	107	815	915	515	920									
Partner II	3-5	2008	→ 2018	Fix Point	SI	156.129	●	120	●	126																		
Partner II	5	2008	→ 2018	Railing	SI								●	●	142			530										
Partner III/Rifter	3-5	2018	→	Railing	SI													530										
Partner III/Rifter	5	2023	→	Rails Int.	SI													156.655	●	113	865	965						
Partner III/Rifter	5	2023	→	Rails Int.	SI													156.651	●	113	865	965	730					
Polestar																												
2	4	2020	→	Normal	SI	163.223	●	113	●	120	079	079																
Porsche																												
Cayenne (9PA)	5	2002	→ 2009	Railing	SI								●	●	120	830	930	515	935									
Cayenne (9PA)	5	2002	→ 2009	T-Profile	SI								156.406	●	●	142												

*** Portata limitata a 50 KG

Vettura	Porte	Anno		Tipo Tetto	Tetto in Vetro	Tetto Normal / Fix Point						Tetto Railing						Tetto Rails Int. - Railing Speciali										
						Componibile				Preassembl.		Componibile			Preassemblata			Componibile			Preassemblata							
						Kit	Original		Rapido		EVO		KIT	PIEDE		Traversa (CM)	E.O. SW 156.xxx		FREELINE (156.xxx)	TRAX (157.xxx)	KIT	Piede 156.601	Traversa (CM)	QUICK 156.xxx		FREELINE (156.xxx)	EDGE KIT	EDGE (157.xxx)
							Piede 156.500	Traversa (Cm)	Piede 164.001	Traversa (Cm)	Acc	Alu		156.600	164.002		Acc	Alu						Acc	Alu			
Cayenne (92A)	5	2010	→ 2017	Railing	SI																							
Cayenne (PO536)	5	2018	→	Rails Int.	SI																							
Macan (95B)	5	2015	→	Rails Int.	SI																							
Renault																												
4	5	2025	→	Railing	SI																							
Alaskan	4	2016	→	Railing	SI																							
Arkana	5	2021	→	Normal	NV	156.389	●	120	●	126	080	080																
Austral	5	2023	→	Normal	NV	163.211	●	126	●	142																		
Austral	5	2023	→	Rails Int.	SI																							
Captur I	5	2013	→ 2019	Normal		156.302	●	113	●	120	065	065																
Captur II	5	2019	→	Normal	NV	156.399	●	120	●	120	075	075																
Captur II	5	2019	→	Rails Int.	SI																							
Clio I	5	1990	→ 1998	Normal							029	029																
Clio II \ Clio Storia	5	1998	→ 2005	Normal							021	021																
Clio III	3	2005	→ 2012	Fix Point	SI	156.352	●	107																				
Clio III	5	2005	→ 2012	Fix Point	NV	156.350	●	107			088	088																
Clio III	5	2005	→ 2012	Fix Point	SI	156.350	●	107																				
Clio III SW	5	2005	→ 2008	Railing	SI						156.412	●	●	126	830	930	515	920										
Clio III SW	5	2008	→ 2013	Railing	SI							●	●	120	815	915	515	920										
Clio IV	5	2012	→ 2019	Normal	NO	156.282	●	113	●	120	065	065																
Clio IV	5	2012	→ 2019	Normal	SI						065	065																
Clio IV SW	5	2013	→ 2020	Railing	SI							●	●	113	815	915	515	920										
Clio V	5	2019	→	Normal	NV	156.374	●	113	●	120	084	084																
Clio VI	5	2026	→	Normal	NV	156.374	●	120	●	120	084	084																
Espace	5	1984	→ 1990	Railing	SI																							
Espace	5	1996	→ 2002	T-Profile	SI						156.406	●	●	142	830	930												
Espace	5	2002	→ 2014	T-Profile	SI						156.406	●	●	142														
Espace	5	2015	→ 2022	Normal	SI	156.327	●	142	●	142																		
Espace	5	2023	→	Rails Int.	SI																							
Express	5	1992	→ 1997	Railing	SI																							
Grand Modus	5	2008	→ 2013	Fix Point	NV	156.301	●	113			053	053																
Grand Scenic	5	2003	→ 2009	Fix Point	SI	156.101	●	107	●	113	001	001																
Grand Scenic	5	2009	→ 2016	Normal	SI	156.227	●	120	●	120																		
Grand Scenic	5	2017	→ 2023	Rails Int.	SI																							
Kadjar	5	2015	→ 2022	Rails Int.	SI																							
Kangoo I	3-5	1998	→ 2007	Fix Point	SI	156.102	●	107	●	107	006	006																
Kangoo II	3-5	2008	→ 2020	Fix Point	SI	156.102	●	113	●	113	002	002																
Kangoo III	3-5	2022	→	Fix Point	NV	156.102	●	107	●	113	006	006																
Koleos I	5	2008	→ 2017	Railing	SI																							
Koleos II	5	2017	→ 2023	Rails Int.	SI																							
Laguna I	5	1993	→ 2001	Normal							044	044																
Laguna I SW	5	1996	→ 2000	Railing	SI																							

Vettura	Porte	Anno		Tipo Tetto	Tetto in Vetro	Tetto Normal / Fix Point						Tetto Railing						Tetto Rails Int. - Railing Speciali										
						Componibile				Preassembl.		Componibile			Preassemblata			Componibile			Preassemblata							
						Kit	Original		Rapido		EVO		KIT	PIEDE		Traversa (CM)	E.O. SW		FREELINE (156.xxx)	TRAX (157.xxx)	KIT	Piede 156.601	Traversa (CM)	QUICK 156.xxx		FREELINE (156.xxx)	EDGE KIT	EDGE (157.xxx)
							Piede 156.500	Traversa (Cm)	Piede 164.001	Traversa (Cm)	Acc	Alu		156.600	164.002		Acc	Alu						Acc	Alu			
Laguna II	5	2001	→ 2007	Normal																								
Laguna II SW	5	2001	→ 2007	Railing	SI								●	●	113	815	915	515	920									
Laguna III SW	5	2007	→ 2015	Railing	SI																							
Megane E-Tech	5	2021	→	Normal	NV	163.208	●	120	●	120																		
Megane I	5	1996	→ 2002	Normal																								
Megane II	3-5	2002	→ 2010	Fix Point	SI	156.101	●	107	●	107	001	001																
Megane II	4	2002	→ 2010	Fix Point	SI	156.101	●	107	●	107	001	001																
Megane II SW	5	2003	→ 2009	Railing	SI								●	●	120	815	915	515	920									
Megane III	5	2008	→ 2015	Normal	NO	156.232	●	113	●	120	065	065																
Megane III SW	5	2009	→ 2016	Normal	NO	156.232	●	113	●	120																		
Megane III SW	5	2009	→ 2016	Railing	SI								●	●	113	815	915	515	920									
Megane IV	5	2016	→	Normal	NO	156.344	●	120	●	120	065	065																
Megane Sporter / Grandtour	5	2016	→	Rails Int.	SI													●	107	857	957	715		812				
Modus	5	2004	→ 2013	Fix Point	NV	156.301	●	113			053	053																
R19	5	1988	→ 1995	Normal							029	029																
R21	5	1989	→ 1994	Normal							021	021																
Rafale	5	2024	→	Normal	SI	163.225	●	126	●	142																		
Scenic I	5	1996	→ 2003	Fix Point	SI	156.213	●	107	●	107	028	028																
Scenic I	5	1996	→ 2003	Normal		156.213	●	107	●	107	028	028																
Scenic II	5	2003	→ 2009	Fix Point	SI	156.101	●	107	●	113	001	001																
Scenic II Conquest	5	2007	→ 2009	Railing	SI								●	●	126	830	930		935									
Scenic III	5	2009	→ 2016	Normal	NO	156.227	●	120	●	120	065	065																
Scenic III	5	2009	→ 2016	Normal	SI						065	065																
Scenic III	5	2009	→ 2016	Railing	SI								●	●	120	815	915	515	920									
Scenic III X-Mod	5	2009	→ 2016	Normal	NO	156.227	●	120	●	120	065	065																
Scenic III X-Mod	5	2009	→ 2016	Railing	SI								●	●	120	815	915	515	920									
Scenic IV	5	2017	→ 2023	Normal	NO	156.338	●	126	●	142																		
Scenic V	5	2024	→	Rails Int.	SI													●	107	857	957	730		812				
Symbioz	5	2025	→	Normal	NV	163.234	●	120	●	120																		
Talisman	4	2016	→ 2022	Normal		156.349	●	120	●	120	065	065																
Talisman SW	5	2016	→ 2022	Rails Int.	SI													●	107	857	957	715		812				
Twingo III	5	2014	→	Normal		156.323	●	113	●	120	065	065																
Rover																												
600 (RH)	4	1993	→ 1999	Normal							023	023																
75 SW (RJ)	5	2001	→ 2005	Railing	SI								●	●	107	815	915	515	920									
Saab																												
9-3 (YS3F)	4	2003	→ 2013	Fix Point	SI	156.130	●	107	●	113																		
9-3 SW (YS3F)	5	2005	→ 2013	Fix Point	SI	156.130	●	107	●	113																		
9-3 SW (YS3F)	5	2005	→ 2013	Railing	SI								●	●	120	815	915	515	920									
9-3 X	5	2009	→ 2013	Railing	SI								●	●	126	830	930	530	935									
9-5 SW (YS3E)	5	1999	→ 2010	Railing	SI								●	●	126	830	930	530	935									
9-7 X	5	2006	→ 2009	Railing	SI								●	●	120	830	930	515	935									

Vettura	Porte	Anno	Tipo Tetto	Tetto in Vetro	Tetto Normal / Fix Point						Tetto Railing						Tetto Rails Int. - Railing Speciali										
					Componibile				Preassembl.		Componibile			Preassemblata			Componibile			Preassemblata							
					Kit	Piede 156.500	Traversa (Cm)	Rapido Piede 164.001	Traversa (Cm)	EVO Acc Alu 159.xxx 162.xxx		KIT	PIEDE 156.600 164.002	Traversa (Cm)	E.O. SW 156.xxx Acc Alu		FREELINE (156.xxx)	TRAX (157.xxx)	KIT	Piede 156.601	Traversa (Cm)	QUICK 156.xxx Acc Alu		FREELINE (156.xxx)	EDGE KIT	EDGE (157.xxx)	
Seat																											
Alhambra (7M)	5	1996 → 2000	Railing	SI									●	●	126	830	930	530	935								
Alhambra (7M)	5	2000 → 2010	Railing	SI									●	●	126	830	930	530	935								
Alhambra (7N)	5	2010 → 2020	Railing	SI									●	●	126	830	930	530	935		●	107	857	957	730		812
Altea (5P)	5	2004 → 2015	Normal						036	036																	
Altea Freetrack (5P)	5	2007 → 2015	Rails Int.	SI							156.404	●	●	120	815	915					●	107	857	957	715		812
Altea XL (5P)	5	2006 → 2015	Rails Int.	SI							156.404	●	●	120	815	915					●	107	857	957	715		812
Arona (KJ7)	5	2017 →	Railing	SI								●	●	113	815	915	515	920			●	107	857	957	715		812
Arosa (6H)	3	1997 → 2005	Normal						057	057																	
Ateca (KH)	5	2016 →	Normal	NV	156.386	●	126	●	126	096	096																
Ateca (KH)	5	2016 →	Railing	SI								●	●	120	830	930	515	935			●	107	857	957	715		812
Exeo SW (3R)	5	2009 → 2013	Railing	SI								●	●	120	815	915	515	920									
Ibiza (021A)	5	1984 → 1993	Normal						025	025																	
Ibiza (6J-6P)	5	2008 → 2017	Normal		156.217	●	113	●	120	064	064																
Ibiza (6L)	3	2002 → 2008	Normal	NO	156.252	●	107	●	113	063	063																
Ibiza (6L)	5	2002 → 2008	Normal	NO	156.252	●	107	●	113	063	063																
Ibiza (KJ1)	5	2017 →	Normal		156.346	●	120	●	120	087	087																
Ibiza SW (6J-6P)	5	2010 → 2017	Rails Int.	SI								156.404	●	●	113	815	915				●	107	857	957	715		812
Leon (1P)	5	2005 → 2012	Normal	NO	156.254	●	120	●	120	036	036																
Leon (1P)	5	2005 → 2012	Normal	SI						036	036																
Leon (5F)	5	2013 → 2020	Normal	NO	156.298	●	120	●	120	066	066																
Leon (KL)	5	2020 →	Normal	NO						077	077																
Leon SW (5F)	5	2014 → 2020	Rails Int.	SI								156.404	●	●	120	830	930				●	107	857	957	715		812
Leon SW (KL)	5	2020 →	Rails Int.	SI																	●	107	857	957	715		812
Marbella (28)	3	1986 → 1998	Normal						060	060																	
Mii (KF1)	5	2012 → 2021	Normal	SI					036	036																	
Tarraco	5	2019 → 2024	Railing	SI								●	●	120	830	930	515	935			●	107	857	957	715		812
Toledo (1L)	5	1991 → 1999	Fix Point	SI					028	028																	
Toledo (5P)	5	2004 → 2009	Normal	NO					036	036																	
Toledo (KG)	4	2013 → 2019	Normal		156.292	●	120	●	120	035	035																
Seres																											
3	5	2020 →	Rails Int.	SI																	●	113	865	965	730		820
Skoda																											
Citigo	5	2012 → 2020	Normal	SI					036	036																	
Elroq	5	2024 →	Rails Int.	SI																	●	107	857	957	715		812
Enyaq	5	2022 →	Rails Int.	SI																	●	107	857	957	730		812
Enyaq Coupé	5	2023 →	Normal	SI	163.216	●	126	●	142																		
Fabia (6Y)	5	1999 → 2007	Fix Point	SI	156.222	●	107	●	107	070	070																
Fabia (5J)	5	2007 → 2014	Normal		156.272	●	113	●	113	041	041																
Fabia (NJ)	5	2015 → 2022	Normal	NO	156.345	●	113	●	120	072	072																
Fabia (PJ3)	5	2022 →	Normal	NV	163.207	●	113	●	113	080	080																
Fabia Scout (5J)	5	2009 → 2014	Railing	SI								●	●	120	830	930	515	935									

Vettura	Porte	Anno		Tipo Tetto	Tetto in Vetro	Tetto Normal / Fix Point						Tetto Railing						Tetto Rails Int. - Railing Speciali										
						Componibile				Preassembl.		Componibile			Preassemblata			Componibile			Preassemblata							
						Kit	Original		Rapido		EVO		KIT	PIEDE		Traversa (CM)	E.O. SW		FREELINE (156.xxx)	TRAX (157.xxx)	KIT	Piede	Traversa (CM)	QUICK 156.xxx		FREELINE (156.xxx)	EDGE KIT	EDGE (157.xxx)
							Piede 156.500	Traversa (Cm)	Piede 164.001	Traversa (Cm)	Acc 159.xxx	Alu 162.xxx		156.600	164.002		Acc	Alu						Acc	Alu			
Fabia SW (6Y)	5	2000	→ 2007	Railing	SI																							
Fabia SW (5J)	5	2007	→ 2014	Railing	SI																							
Fabia SW (NJ)	5	2015	→ 2022	Railing	SI																							
Felicia SW (6U)	5	1995	→ 2001	Railing	SI																							
Kamiq	5	2019	→	Railing	SI																							
Karoq (NU7)	5	2018	→	Railing	SI																							
Kodiaq (NS7)	5	2017	→ 2023	Railing	SI																							
Kodiaq (PS7)	5	2024	→	Rails Int.	SI																							
Octavia (1U)	4	1996	→ 2004	Fix Point	SI	156.222	●	126	●	142																		
Octavia (5E)	4	2013	→ 2019	Normal		156.299	●	120	●	120																		
Octavia SW (1U)	5	1998	→ 2004	Railing	SI																							
Octavia SW (1Z)	5	2004	→ 2012	Railing	SI																							
Octavia SW (5E)	5	2013	→ 2020	Railing	SI																							
Octavia SW (NX)	5	2020	→	Rails Int.	SI																							
Rapid (NH)	4	2013	→ 2019	Normal	NO	156.292	●	120	●	120	035	035																
Roomster (5J)	5	2006	→ 2015	Railing	SI																							
Roomster Praktik (5J)	5	2007	→ 2015	Railing	SI																							
Roomster Scout (5J)	5	2009	→ 2015	Railing	SI																							
Scala	5	2019	→	Normal	NV	156.383	●	120	●	120	084	084																
Superb SW (3T)	5	2010	→ 2015	Railing	SI																							
Superb SW (3V)	5	2015	→ 2023	Railing	SI																							
Superb SW (3Y)	5	2024	→	Rails Int.	SI																							
Yeti (5L)	5	2009	→ 2017	Railing	SI																							
Sportequipe																												
7	5	2023	→	Rails Int.	SI																							
8	5	2023	→	Rails Int.	SI																							
Ssangyong																												
Korando	3	1997	→ 2005	Railing	SI																							
Korando	5	2010	→ 2014	Railing	SI																							
Korando	5	2014	→ 2019	Railing	SI																							
Korando	5	2019	→	Railing	SI																							
Kyron	5	2005	→ 2011	Railing	SI																							
Musso	5	1995	→ 2006	Railing	SI																							
Musso II	2-4	2018	→ 2023	Railing	SI																							
Rexton I	5	2001	→ 2006	Railing	SI																							
Rexton II	5	2007	→ 2013	Railing	SI																							
Rexton III	5	2013	→ 2017	Railing	SI																							
Rexton IV	5	2017	→	Railing	SI																							
Rexton Sport	4	2017	→	Normal	NV	163.224	●	142	●	142																		
Rodius	5	2004	→ 2013	Railing	SI																							
Rodius	5	2013	→ 2019	Railing	SI																							






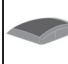





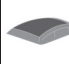






Vettura	Porte	Anno		Tipo Tetto	Tetto in Vetro	Tetto Normal / Fix Point						Tetto Railing						Tetto Rails Int. - Railing Speciali										
						Componibile				Preassembl.		Componibile			Preassemblata			Componibile			Preassemblata							
						Kit	Original		Rapido		EVO		KIT	PIEDE		Traversa (CM)	E.O. SW		FREELINE (156.xxx)	TRAX (157.xxx)	KIT	Piede	Traversa (CM)	QUICK 156.xxx		FREELINE (156.xxx)	EDGE KIT	EDGE (157.xxx)
							Piede 156.500	Traversa (Cm)	Piede 164.001	Traversa (Cm)	Acc	Alu		156.600	164.002		156.xxx	Acc						Alu	Acc			
Tivoli	5	2015	→ 2023	Normal	SI	156.288	●	120	●	120	036	036																
Tivoli	5	2015	→ 2023	Rails Int.	SI														156.656	●	107	857	957	715				
XLV	5	2016	→ 2023	Railing	SI								●	●	113	815	915	515	920									
Subaru																												
Crosstrek	5	2023	→	Railing	SI								●	●	120	815	915	515	920									
Forester (SF)	5	1997	→ 2002	Rails Int.	SI															●	107	857	957	715		812		
Forester (SH)	5	2008	→ 2013	Railing	SI								●	●	120	830	930	515	935									
Forester (SJ)	5	2013	→ 2020	Railing	SI								●	●	120	815	915	515	920									
Forester (SL)	5	2025	→	Railing	SI								●	●	113	815	915	515	920									
Forester (SL)	5	2025	→	Rails Int.	SI															●	107	857	957	715		812		
Impreza SW	5	1993	→ 2010	Railing	SI								●	●	107	815	915	515	920									
Impreza XV	5	2010	→ 2012	Railing	SI								●	●	120	815	915		920									
Justy (G3)	5	2003	→ 2007	Railing	SI								●	●	120	815	915	515	920									
Legacy SW (BC-BD-BE)	5	1989	→ 2002	Railing	SI								●	●	107	815	915	515	920									
Outback (BE)	5	1998	→ 2003	Railing	SI								●	●	107	815	915	515	920									
Trezia	5	2011	→ 2016	Normal	NO	156.257	●	113	●	120	035	035																
Tribeca (B9)	5	2008	→ 2014	Railing	SI								●	●	142	830	930	530	935									
XV	5	2012	→ 2017	Railing	SI								●	●	120	830	930	515	935									
XV	5	2018	→	Railing	SI								●	●	120	815	915	515	920									
XV E-Boxer	5	2019	→	Rails Int.	SI															●	107	857	957	715		812		
Suzuki																												
Alto (SS)	3-5	1982	→ 1985	Normal							025	025																
Alto (CA-CL-HA)	5	1986	→ 2002	Normal							025	025																
Alto (HA24)	5	2002	→ 2009	Normal							023	023																
Alto (HA25)	5	2008	→ 2014	Normal							033	033																
Baleno (EG)	5	1996	→ 2002	Railing	SI								●	●	107	815	915	515	920									
Grand Vitara (GT)	3-5	1998	→ 2004	Railing	SI								●	●	120	815	915	515	920									
Grand Vitara (JT)	3-5	2005	→ 2015	Rails Int.	SI															156.653	●	107	857	957				
Ignis (FH-MH)	5	2000	→ 2008	Railing	SI								●	●	120	815	915	515	920									
Ignis (MF)	5	2016	→	Railing	SI								●	●	113	815	915	515	920									
Jimny (FJ)	5	1998	→ 2018	Railing	SI								●	●	113	815	915	515	920									
Samurai (SJ)	3	1982	→ 1992	Railing	SI								●	●	120	830	930		935									
S-Cross	5	2022	→	Rails Int.	SI															●	107	857	957	715		812		
Splash (EX)	5	2008	→ 2015	Normal		156.237	●	107	●	113																		
Swace	5	2021	→	Rails Int.	SI															●	107	857	957	715		812		
SX4 (EY-GY)	5	2006	→ 2014	Railing	SI								●	●	120	830	930	530	935									
SX4 S-Cross (JY)	5	2014	→ 2022	Rails Int.	SI															●	107	857	957	715		812		
Vitara (ET)	5	1998	→ 2005	Railing	SI								●	●	120	830	930	530	935									
Vitara (LY)	5	2015	→	Rails Int.	SI															●	107	857	957	715		812		
Wagon R+ (MM)	5	2000	→ 2008	Railing	SI								●	●	120	830	930	515	935									

Vettura	Porte	Anno		Tipo Tetto	Tetto in Vetro	Tetto Normal / Fix Point						Tetto Railing						Tetto Rails Int. - Railing Speciali										
						Componibile				Preassembl.		Componibile			Preassemblata			Componibile			Preassemblata							
						Kit	Original		Rapido		EVO		KIT	PIEDE		Traversa (CM)	E.O. SW		FREELINE (156.xxx)	TRAX (157.xxx)	KIT	Piede 156.601	Traversa (CM)	QUICK 156.xxx		FREELINE (156.xxx)	EDGE KIT	EDGE (157.xxx)
							Piede 156.600	Traversa (Cm)	Piede 164.001	Traversa (Cm)	Acc	Alu		156.600	164.002		Acc	Alu						Acc	Alu			
Land Cruiser 120	5	2002	→ 2009	Fix Point	SI	156.295	●	113	●	113																		
Land Cruiser 120	5	2003	→ 2009	Railing	SI							●	●	120	830	930	530	935										
Land Cruiser 125	3	2003	→ 2009	Railing	SI							●	●	120	830	930	530	935										
Land Cruiser 150	5	2009	→ 2024	Fix Point	SI	156.295	●	113	●	113																		
Land Cruiser 150	5	2009	→ 2024	Railing	SI							●	●	126	830	930	530	935										
Land Cruiser 155	3	2009	→ 2024	Fix Point	SI	156.295	●	113	●	120																		
Land Cruiser 155	3	2009	→ 2024	Railing	SI							●	●	126	830	930	530	935										
Land Cruiser 200	5	2005	→ 2021	Railing	SI							●	●	142			530											
Land Cruiser 250	5	2025	→	Railing	SI							●	●	126	830	930	530	935										
Previa (XR30)	5	2000	→ 2006	Railing	SI							●	●	120	815	915	515	920										
Prius (XW20)	5	2003	→ 2009	Normal	NV	163.209	●	120	●	120	100	100																
Prius (XW50)	5	2015	→ 2022	Normal	NV	163.221	●	120	●	120	084	084																
Prius (XW60)	5	2022	→	Normal	NV	163.218	●	120	●	126	103	103																
Prius+ (XV40)	5	2012	→ 2021	Normal	SI	156.285	●	120	●	126	024	024																
Proace City Verso	3-5	2020	→	Railing	SI												530		156.655	●	113	865	965					
Proace City Verso	5	2023	→	Rails Int.	SI														156.651	●	113	865	965	730				
Rav4 (XA20)	3-5	2000	→ 2006	Railing	SI								●	●	113	815	915	515	920									
Rav4 (XA30)	5	2006	→ 2013	Normal		156.266	●	120	●	120																		
Rav4 (XA30)	5	2006	→ 2013	Railing	SI								●	●	120	815	915	515	920									
Rav4 (XA40)	5	2013	→ 2018	Normal		156.266	●	120	●	120	100	100																
Rav4 (XA40)	5	2013	→ 2018	Railing	SI								●	●	120	830	930	515	935									
Sequoia	5	2001	→ 2007	Railing	SI								●	●	142			530										
Sienna (XL30)	5	2011	→ 2020	Railing	SI								●	●	120	815	915		920									
Urban Cruiser	5	2009	→ 2014	Normal		156.256	●	113	●	113	057	057																
Verso	5	2009	→ 2017	Normal	SI	156.253	●	142	●	142																		
Verso	5	2009	→ 2017	Railing	SI								●	●	126	830	930	530	935									
Verso S	5	2011	→ 2017	Normal		156.257	●	113	●	120	035	035																
Yaris (XP10)	5	1999	→ 2005	Normal		156.237	●	113	●	113	033	033																
Yaris (XP90)	5	2005	→ 2011	Normal		156.237	●	113	●	113	033	033																
Yaris (XP130)	5	2011	→ 2020	Normal	NO	156.237	●	107	●	113	033	033																
Yaris (XP210)	5	2020	→	Normal	NV	156.397	●	107	●	107																		
Yaris Cross	5	2020	→	Normal	NV	156.390	●	113	●	120	101	101																
Yaris Cross	5	2020	→	Rails Int.	SI														●	107	857	957	715	812				
Yaris Verso (XP20)	5	1999	→ 2005	Railing	SI								●	●	107	815	915	515	920									
Volkswagen																												
Amarok	3-5	2011	→ 2022	Fix Point	SI	156.102	●	120	●	120	007	007																
Amarok	4	2022	→	Railing	SI								●	●	126	830	930	530	935									
Bora (1J)	4	1998	→ 2005	Normal							037	037																
Bora SW (1J)	5	1999	→ 2005	Railing	SI								●	●	120	815	915	515	920									
Caddy	3-5	2003	→ 2015	Fix Point	SI	156.102	●	107	●	107	006	006																
Caddy	3-5	2003	→ 2015	Railing	SI								●	●	113	815	915	515	920									







Vettura	Porte	Anno		Tipo Tetto	Tetto in Vetro	Tetto Normal / Fix Point						Tetto Railing						Tetto Rails Int. - Railing Speciali										
						Componibile					Preassembl.	Componibile			Preassemblata			Componibile			Preassemblata							
						Kit	Original		Rapido		EVO		KIT	PIEDE		Traversa (CM)	E.O. SW		FREELINE (156.xxx)	TRAX (157.xxx)	KIT	Piede		QUICK		FREELINE (156.xxx)	EDGE KIT	EDGE (157.xxx)
							Piede 156.500	Traversa (Cm)	Piede 164.001	Traversa (Cm)	Acc 159.xxx	Alu 162.xxx		156.600	164.002		156.xxx	Acc				Alu	156.601	Traversa (CM)	Acc			
Caddy	3-5	2015	→ 2020	Fix Point	SI	156.102	●	107	●	107	006	006																
Caddy	3-5	2015	→ 2020	Railing	SI								●	●	113	815	915	515	920									
Caddy	3-5	2021	→	Fix Point	SI	156.102	●	120	●	120																		
Caddy	5	2021	→	Railing	SI								●	●	142	830	930											
Caddy Alltrack	5	2016	→ 2021	Railing	SI								●	●	113	815	915	515		156.651	●	107	857	957	715	157.401	812	
Caddy Maxi	3-5	2021	→	Fix Point	SI	156.102	●	120	●	120																		
Golf III SW (1H)	5	1993	→ 1999	Railing	SI								●	●	107	815	915	515	920									
Golf IV (1J)	3	1997	→ 2004	Normal							038	038																
Golf IV (1J)	5	1997	→ 2004	Normal		156.264	●	107	●	113	037	037																
Golf IV SW (1J)	5	1999	→ 2007	Railing	SI								●	●	107	815	915	515	920									
Golf V (1K)	3	2003	→ 2008	Normal		156.244	●	120	●	126																		
Golf V (1K)	5	2003	→ 2008	Normal		156.244	●	120	●	126	036	036																
Golf V Cross (1K)	5	2006	→ 2014	Railing	SI								●	●	120	815	915	515	920									
Golf V Plus (1K)	5	2005	→ 2014	Normal		156.270	●	113	●	120	036	036																
Golf V Plus (1K)	5	2005	→ 2014	Railing	SI								●	●	120	815	915	515	920									
Golf V SW (1K)	5	2007	→ 2010	Railing	SI								●	●	120	815	915	515	920									
Golf VI (5K)	3	2008	→ 2012	Normal		156.244	●	120	●	126																		
Golf VI (5K)	5	2008	→ 2012	Normal		156.244	●	120	●	126	036	036																
Golf VI SW (5K)	5	2010	→ 2013	Railing	SI								●	●	120	830	930	515	935									
Golf VII (5G)	5	2012	→ 2020	Normal	SI	156.290	●	120	●	120	066	066																
Golf VII Alltrack (5G)	5	2015	→ 2021	Railing	SI								●	●	113	815	915	515	920		●	107	857	957	715		812	
Golf VII Sportsvan (AM1)	5	2014	→ 2020	Normal	SI	156.331	●	120	●	120																		
Golf VII Sportsvan (AM1)	5	2014	→ 2020	Railing	SI								●	●	120	815	915	515	920		●	107	857	957	715		812	
Golf VII SW (5G)	5	2013	→ 2020	Railing	SI								●	●	113	815	915	515	920									
Golf VIII	5	2020	→	Normal	NV	156.375	●	120	●	120	077	077																
Golf VIII Variant	5	2021	→	Railing	SI																●	107	857	957	730		812	
ID4	5	2020	→	Rails Int.	SI																●	107	857	957	730		812	
ID7 Tourer	5	2024	→	Rails Int.	SI																●	107	857	957	715		812	
Jetta (1B)	4	2010	→ 2018	Normal							065	065																
Lupo (6X)	3	1998	→ 2005	Normal							057	057																
Passat (B5)	4	1996	→ 2005	Normal		156.262	●	113	●	113	057	057																
Passat (B6)	4	2005	→ 2013	Normal		156.261	●	120	●	126	036	036																
Passat (B8)	4	2015	→ 2023	Normal	NV	163.219	●	126	●	126	084	084																
Passat Alltrack (B8)	5	2015	→ 2021	Rails Int.	SI																●	107	857	957	715		812	
Passat SW (B2-B3-B4)	5	1980	→ 1996	Railing	SI								●	●	107	815	915	515	920									
Passat SW (B5)	5	1997	→ 2000	Railing	SI								●	●	120	815	915	515	920									
Passat SW (B5)	5	2000	→ 2005	Railing	SI								●	●	120	830	930	515	935									
Passat SW (B6-B7)	5	2005	→ 2014	Railing	SI								●	●	113	815	915	515	920									
Passat SW (B8)	5	2015	→ 2023	Rails Int.	SI																●	107	857	957	715		812	
Passat SW (B9)	5	2023	→	Rails Int.	SI																●	107	857	957	715		812	
Polo II Classic (86C)	5	1981	→ 1994	Railing	SI								●	●	120	815	915		920									
Polo II SW (86C)	5	1981	→ 1990	Railing	SI								●	●	120	815	915		920									

Vettura	Porte	Anno		Tipo Tetto	Tetto in Vetro	Tetto Normal / Fix Point						Tetto Railing						Tetto Rails Int. - Railing Speciali										
						Componibile					Preassembl.		Componibile			Preassemblata			Componibile			Preassemblata						
						Kit	Original		Rapido		EVO		KIT	PIEDE		Traversa (Cm)	E.O. SW 156.xxx		FREELINE (156.xxx)	TRAX (157.xxx)	KIT	Piede 156.601	Traversa (Cm)	QUICK 156.xxx		FREELINE (156.xxx)	EDGE KIT	EDGE (157.xxx)
							Piede 156.500	Traversa (Cm)	Piede 164.001	Traversa (Cm)	Acc 159.xxx	Alu 162.xxx		156.600	164.002		Acc	Alu						Acc	Alu			
Polo III (6N)	3-5	1995	→	2001	Fix Point	SI	156.222	●	107	●	107																	
Polo III SW (6N)	5	1996	→	2001	Railing	SI																						
Polo IV (9N)	3	2001	→	2009	Normal																							
Polo IV (9N)	5	2001	→	2009	Normal		156.236	●	113	●	113																	
Polo IV Cross (9N)	5	2006	→	2009	Railing	SI																						
Polo IV Fun (9N)	5	2003	→	2005	Railing	SI																						
Polo V (6R)	5	2009	→	2017	Normal		156.231	●	113	●	120																	
Polo V Cross (6R)	5	2010	→	2017	Railing	SI																						
Polo VI (AW)	5	2018	→		Normal	NV	156.355	●	113	●	120																	
Sharan (7M)	5	1995	→	2010	Railing	SI																						
Sharan (7N)	5	2010	→	2020	Railing	SI																						
Taigo	5	2022	→		Normal	NO	156.384	●	113	●	120																	
Taigo	5	2022	→		Railing	SI																						
Tayron	5	2024	→		Rails Int.	SI																						
T-Cross (No Rails)	5	2019	→		Normal	NV	163.202	●	126	●	126																	
T-Cross	5	2019	→		Railing	SI																						
Tiguan (5N)	5	2007	→	2016	Normal	NO																						
Tiguan (5N)	5	2007	→	2016	Railing	SI																						
Tiguan (AD1)	5	2016	→	2023	Railing	SI																						
Tiguan (CT1)	5	2024	→		Railing	SI																						
Tiguan Allspace (BW2)	5	2016	→	2023	Railing	SI																						
Touareg (7L)	5	2002	→	2010	Railing	SI																						
Touareg (7L)	5	2002	→	2010	T-Profile	SI																						
Touareg (7P)	5	2010	→	2018	Railing	SI																						
Touareg (CR7)	5	2018	→		Rails Int.	SI																						
Touran (1T)	5	2003	→	2014	Railing	SI																						
Touran (5T)	5	2015	→		Railing	SI																						
Transporter (T5)	3-5	2003	→	2014	Fix Point	SI	156.102	●	142	●	142																	
Transporter (T5)	3-5	2003	→	2015	T-Profile	SI																						
Transporter (T6)	3-5	2015	→	2024	Fix Point	SI	156.102	●	142	●	142																	
Transporter (T6)	3-5	2015	→	2024	T-Profile	SI																						
T-Roc (A11)	5	2017	→	2025	Normal	NV	156.354	●	120	●	126																	
T-Roc (A11)	5	2017	→	2025	Railing	SI																						
T-Roc II	5	2026	→		Rails Int.	SI																						
Up	5	2012	→		Normal	SI																						
Up Cross	5	2013	→		Railing	SI																						
Volvo																												
940	5	1990	→	1999	Railing	SI																						
960	5	1991	→	1998	Railing	SI																						
C40	5	2022	→		Normal	SI																						
EX40	5	2018	→		Rails Int.	SI																						
EX90	5	2024	→		Rails Int.	SI																						

Applicazioni KIT ORIGINAL - per Codice

 KIT	 Marca	 Vettura	 P.	 Anno	 Tetto	 KIT	 Marca	 Vettura	 P.	 Anno	 Tetto	 KIT	 Marca	 Vettura	 P.	 Anno	 Tetto
156.101	Renault	Grand Scenic	5	2003 → 2009	Fix Point	156.103	Bmw	Serie 3 GT (F34)	5	2013 → 2020	Fix Point	156.115	Mercedes	Classe B (W247)	5	2019 →	Fix Point
156.101	Renault	Megane II	4	2002 → 2010	Fix Point	156.103	Bmw	Serie 3 Touring (E46)	5	1999 → 2002	Fix Point	156.115	Mercedes	GLE Coupè (C292)	5	2015 → 2019	Fix Point
156.101	Renault	Megane II	3-5	2002 → 2010	Fix Point	156.103	Bmw	Serie 3 Touring (E46)	5	2003 → 2005	Fix Point	156.116	Fiat	Croma II	5	2005 → 2010	Fix Point
156.101	Renault	Scenic II	5	2003 → 2009	Fix Point	156.103	Bmw	Serie 3 Touring (E91)	5	2005 → 2012	Fix Point	156.117	Fiat	Idea	5	2004 → 2012	Fix Point
156.102	Citroen	Nemo	3-5	2008 → 2017	Fix Point	156.103	Bmw	Serie 4 Coupè (F32)	3	2013 → 2020	Fix Point	156.117	Lancia	Musa	5	2004 → 2012	Fix Point
156.102	Dacia	Dokker	3-5	2012 → 2021	Fix Point	156.103	Bmw	Serie 4 Gran Coupè (F36)	4	2014 → 2021	Fix Point	156.118	Ford	S-Max	5	2006 → 2015	Fix Point
156.102	Fiat	Doblò I	3-5	2000 → 2010	Fix Point	156.103	Bmw	Serie 5 GT (F07)	5	2009 → 2017	Fix Point	156.119	Fiat	Multipla	5	1999 → 2010	Fix Point
156.102	Fiat	Fiorino	3-5	1987 → 2001	Fix Point	156.104	Peugeot	307	3-5	2001 → 2009	Fix Point	156.120	Citroen	C4 Gran Picasso	5	2006 → 2013	Fix Point
156.102	Fiat	Fiorino	3-5	2008 → 2024	Fix Point	156.106	Mercedes	Classe C (W204)	4	2007 → 2013	Fix Point	156.120	Citroen	C4 Picasso	5	2007 → 2013	Fix Point
156.102	Fiat	Qubo	3-5	2008 → 2024	Fix Point	156.106	Mercedes	Classe C (W205)	4	2014 → 2021	Fix Point	156.122	Citroen	C5 II	4	2008 → 2017	Fix Point
156.102	Ford	Connect	3-5	2002 → 2012	Fix Point	156.106	Mercedes	Classe C Coupè (C204)	2	2011 → 2015	Fix Point	156.122	Citroen	C6	4	2005 → 2012	Fix Point
156.102	Ford	Connect (Tourneo)	3-5	2022 →	Fix Point	156.106	Mercedes	Classe C Coupè (C205)	2	2016 → 2021	Fix Point	156.122	DS	3	3	2010 → 2019	Fix Point
156.102	Ford	Connect (Transit)	3-5	2022 →	Fix Point	156.106	Mercedes	Classe E (W212)	4	2009 → 2016	Fix Point	156.122	Peugeot	207	3-5	2006 → 2015	Fix Point
156.102	Ford	Courier (Tourneo)	3-5	2024 →	Fix Point	156.106	Mercedes	Classe E Coupè (C207)	2	2009 → 2016	Fix Point	156.122	Peugeot	308	3-5	2007 → 2013	Fix Point
156.102	Ford	Courier (Transit)	3-5	2024 →	Fix Point	156.106	Mercedes	Classe R (W251)	5	2005 → 2013	Fix Point	156.122	Peugeot	407	3-4	2004 → 2012	Fix Point
156.102	Mercedes	Citan (W415)	3-5	2012 → 2021	Fix Point	156.106	Mercedes	Classe S (W221)	4	2005 → 2013	Fix Point	156.122	Peugeot	3008 I	5	2009 → 2016	Fix Point
156.102	Mercedes	Citan (W420)	3-5	2022 →	Fix Point	156.106	Mercedes	CLS (C218)	4	2010 → 2018	Fix Point	156.122	Peugeot	5008 (No Rails)	5	2009 → 2016	Fix Point
156.102	Nissan	Kubistar (X76)	3-5	2003 → 2009	Fix Point	156.106	Mercedes	CLS (C219)	4	2004 → 2010	Fix Point	156.123	Citroen	C3 II	5	2009 → 2016	Fix Point
156.102	Nissan	NV250	3-5	2009 → 2021	Fix Point	156.106	Mercedes	CLS Shooting Brake (X218)	5	2011 → 2018	Fix Point	156.124	Fiat	Panda III	5	2012 →	Fix Point
156.102	Nissan	Townstar	3-5	2022 →	Fix Point	156.106	Mercedes	GLC Coupè (C253)	5	2015 → 2023	Fix Point	156.125	Fiat	Fullback Double Cab	4	2016 → 2018	Fix Point
156.102	Opel	Combo C	3	2001 → 2012	Fix Point	156.107	Opel	Astra H	3	2004 → 2011	Fix Point	156.125	Fiat	Fullback Single Cab	2	2016 → 2018	Fix Point
156.102	Peugeot	Bipper	3-5	2007 → 2016	Fix Point	156.107	Opel	Astra H	5	2004 → 2011	Fix Point	156.125	Mitsubishi	L200 Double Cab (KJ)	4	2016 →	Fix Point
156.102	Renault	Kangoo I	3-5	1998 → 2007	Fix Point	156.107	Opel	Astra H SW	5	2004 → 2011	Fix Point	156.125	Mitsubishi	L200 Single Cab (KJ)	2	2016 →	Fix Point
156.102	Renault	Kangoo II	3-5	2008 → 2020	Fix Point	156.107	Opel	Zafira B Cosmo	5	2007 → 2011	Fix Point	156.125	Mitsubishi	Triton Double Cab (KK-KL)	4	2016 → 2023	Fix Point
156.102	Renault	Kangoo III	3-5	2022 →	Fix Point	156.108	Citroen	C4 I	3	2004 → 2010	Fix Point	156.125	Mitsubishi	Triton Single Cab (KK-KL)	2	2016 → 2023	Fix Point
156.102	Volkswagen	Amarok	3-5	2011 → 2022	Fix Point	156.108	Citroen	C4 I	5	2004 → 2010	Fix Point	156.126	BMW	Serie 1 (F40)	5	2019 → 2025	Fix Point
156.102	Volkswagen	Caddy	3-5	2003 → 2015	Fix Point	156.110	Alfa Romeo	Mito	3	2008 → 2018	Fix Point	156.126	BMW	Serie 1 (F70)	5	2025 →	Fix Point
156.102	Volkswagen	Caddy	3-5	2015 → 2020	Fix Point	156.111	Fiat	Stilo	3-5	2001 → 2007	Fix Point	156.126	BMW	Serie 3 (G20)	4	2019 →	Fix Point
156.102	Volkswagen	Caddy	3-5	2021 →	Fix Point	156.112	Mercedes	Classe E (W211)	4	2002 → 2009	Fix Point	156.127	Mazda	3 (BP sedan)	4	2019 →	Fix Point
156.102	Volkswagen	Caddy Maxi	3-5	2021 →	Fix Point	156.113	Mercedes	Classe A (W169)	3-5	2004 → 2012	Fix Point	156.127	Mazda	3 (BP)	5	2019 →	Fix Point
156.102	Volkswagen	Transporter (T5)	3-5	2003 → 2014	Fix Point	156.113	Mercedes	Classe B (W245)	5	2005 → 2011	Fix Point	156.128	Citroen	C4 Aircross	5	2012 → 2017	Fix Point
156.102	Volkswagen	Transporter (T6)	3-5	2015 → 2024	Fix Point	156.114	Ford	C-Max I	3-5	2003 → 2010	Fix Point	156.128	Hyundai	i20 (GB)	5	2015 → 2020	Fix Point
156.103	Bmw	Serie 1 (E87)	3-5	2004 → 2011	Fix Point	156.114	Ford	Focus II	3-5	2004 → 2011	Fix Point	156.128	Hyundai	i30 (FD)	3-5	2007 → 2012	Fix Point
156.103	Bmw	Serie 1 (F20)	3-5	2011 → 2019	Fix Point	156.114	Ford	Focus II SW	5	2004 → 2011	Fix Point	156.128	Hyundai	i30 (GD)	3-5	2012 → 2017	Fix Point
156.103	Bmw	Serie 1 coupè (E82)	3	2007 → 2013	Fix Point	156.115	Mercedes	CLA (C117)	4	2013 → 2019	Fix Point	156.128	Hyundai	i30 (PD)	5	2017 →	Fix Point
156.103	Bmw	Serie 2 Coupè (F22)	3	2014 → 2021	Fix Point	156.115	Mercedes	CLA Shooting Brake (X117)	5	2015 → 2019	Fix Point	156.128	Kia	Cee'd (ED)	3-5	2006 → 2012	Fix Point
156.103	Bmw	Serie 3 (E46)	4	1998 → 2005	Fix Point	156.115	Mercedes	CLA Shooting Brake (X118)	5	2019 →	Fix Point	156.128	Kia	Cee'd (JD)	3-5	2012 → 2018	Fix Point
156.103	Bmw	Serie 3 (E90)	4	2005 → 2012	Fix Point	156.115	Mercedes	Classe A (W176)	5	2012 → 2018	Fix Point	156.128	Kia	Cee'd (CD)	5	2018 →	Fix Point
156.103	Bmw	Serie 3 (F30)	4	2012 → 2019	Fix Point	156.115	Mercedes	Classe A (W177)	5	2018 →	Fix Point	156.128	Kia	Soul	5	2014 → 2018	Fix Point
156.103	Bmw	Serie 3 Coupè (E92)	3	2006 → 2014	Fix Point	156.115	Mercedes	Classe B (W246)	5	2011 → 2018	Fix Point	156.128	Mazda	2 (DE)	3-5	2007 → 2015	Fix Point

Kit Original per codice - *** Portata limitata a 50Kg

 KIT	 Marca	 Vettura	 P.	 Anno	 Tetto
156.128	Mazda	3 (BK)	4-5	2004 → 2009	Fix Point
156.128	Mazda	3 (BL)	4-5	2009 → 2013	Fix Point
156.128	Mazda	5 (CR-CW)	5	2005 → 2015	Fix Point
156.128	Mazda	6 (GH)	4	2007 → 2012	Fix Point
156.128	Mazda	CX-5 (KE)	5	2012 → 2017	Fix Point
156.128	Mazda	CX-7 (ER)	5	2006 → 2012	Fix Point
156.128	Mitsubishi	ASX I	5	2010 → 2022	Fix Point
156.128	Mitsubishi	Lancer (CY0-CX)	4-5	2008 → 2015	Fix Point
156.128	Mitsubishi	Lancer Evo 10	4	2008 → 2016	Fix Point
156.128	Peugeot	4008	5	2012 → 2017	Fix Point
156.129	Citroen	Berlingo II	3-5	2008 → 2018	Fix Point
156.129	Peugeot	Partner II	3-5	2008 → 2018	Fix Point
156.130	Saab	9-3 (YS3F)	4	2003 → 2013	Fix Point
156.130	Saab	9-3 SW (YS3F)	5	2005 → 2013	Fix Point
156.131	Mercedes	Classe A Sedan (V177)	4	2019 →	Fix Point
156.132	Nissan	X-Trail (T33)	5	2022 →	Fix Point
156.203	Fiat	Punto II	3	1999 → 2010	Normal
156.204	Fiat	Punto II	5	1999 → 2010	Normal
156.209	Citroen	Berlingo I	3-5	1996 → 2008	Normal
156.209	Citroen	Xsara Picasso	5	1999 → 2010	Normal
156.209	Peugeot	Partner - Ranch	3-5	1996 → 2008	Normal
156.213	Land Rover	Range II	5	1994 → 2002	Fix Point
156.213	Opel	Astra F	3-5	1991 → 1998	Fix Point
156.213	Opel	Astra G	3-5	1998 → 2004	Fix Point
156.213	Opel	Astra G SW	5	1998 → 2004	Fix Point
156.213	Opel	Calibra	3	1990 → 1997	Fix Point
156.213	Opel	Corsa B	3-5	1993 → 2000	Fix Point
156.213	Opel	Corsa C	3-5	2000 → 2006	Fix Point
156.213	Opel	Kadett E	3-5	1984 → 1991	Fix Point
156.213	Opel	Tigra A	3	1994 → 2000	Fix Point
156.213	Renault	Scenic I	5	1996 → 2003	Fix Point
156.213	Renault	Scenic I	5	1996 → 2003	Normal
156.215	Fiat	Grande Punto \ P. Evo	5	2005 → 2018	Normal
156.215	Fiat	Punto III	5	2012 → 2018	Normal
156.217	Seat	Ibiza (6J-6P)	5	2008 → 2017	Normal
156.218	Lancia	Ypsilon I	3	2003 → 2011	Normal
156.219	Peugeot	206	5	1998 → 2012	Normal
156.221	Fiat	Bravo II	5	2007 → 2014	Normal
156.222	Opel	Adam	3	2013 → 2019	Fix Point
156.222	Opel	Astra J	3-5	2009 → 2015	Fix Point
156.222	Opel	Astra J Berlina	4	2012 → 2018	Fix Point
156.222	Opel	Corsa D	3-5	2006 → 2015	Fix Point
156.222	Opel	Corsa E	3-5	2015 → 2019	Fix Point
156.222	Opel	Meriva A	5	2003 → 2010	Fix Point
156.222	Opel	Meriva B	5	2010 → 2017	Fix Point
156.222	Opel	Signum	5	2003 → 2008	Fix Point
156.222	Opel	Vectra C	4	2002 → 2008	Fix Point
156.222	Opel	Zafira C (Tourer)	5	2011 → 2017	Fix Point
156.222	Skoda	Fabia (6Y)	5	1999 → 2007	Fix Point
156.222	Skoda	Octavia (1U)	4	1996 → 2004	Fix Point
156.222	Volkswagen	Polo III (6N)	3-5	1995 → 2001	Fix Point
156.223	Ford	Mondeo	4	2007 → 2014	Normal
156.227	Renault	Grand Scenic	5	2009 → 2016	Normal
156.227	Renault	Scenic III	5	2009 → 2016	Normal
156.227	Renault	Scenic III X-Mod	5	2009 → 2016	Normal
156.228	Mercedes	Classe A (W168)	5	1997 → 2004	Normal
156.231	Volkswagen	Polo V (6R)	5	2009 → 2017	Normal
156.232	Renault	Megane III	5	2008 → 2015	Normal
156.232	Renault	Megane III SW	5	2009 → 2016	Normal
156.233	Lancia	Delta	5	2008 → 2014	Normal
156.234	Ford	Fiesta VI	5	2008 → 2017	Normal
156.235	Nissan	Qashqai (J10)	5	2007 → 2014	Normal
156.236	Volkswagen	Polo IV (9N)	5	2001 → 2009	Normal
156.237	Hyundai	i20 (PB)	5	2008 → 2014	Normal
156.237	Opel	Agila B	5	2008 → 2015	Normal
156.237	Suzuki	Splash (EX)	5	2008 → 2015	Normal
156.237	Toyota	Yaris (XP10)	5	1999 → 2005	Normal
156.237	Toyota	Yaris (XP90)	5	2005 → 2011	Normal
156.237	Toyota	Yaris (XP130)	5	2011 → 2020	Normal
156.238	Alfa Romeo	159	4	2005 → 2013	Normal
156.238	Alfa Romeo	159 SW	5	2005 → 2013	Normal
156.239	Alfa Romeo	Giulietta	5	2010 → 2020	Normal
156.244	Volkswagen	Golf V (1K)	3	2003 → 2008	Normal
156.244	Volkswagen	Golf V (1K)	5	2003 → 2008	Normal
156.244	Volkswagen	Golf VI (5K)	3	2008 → 2012	Normal
156.244	Volkswagen	Golf VI (5K)	5	2008 → 2012	Normal
156.245	Alfa Romeo	147	5	2000 → 2010	Normal
156.246	Citroen	C4 II	5	2010 → 2018	Normal
156.247	Ford	C-Max II	5	2010 → 2019	Normal
156.249	Lancia	Ypsilon II	5	2011 → 2024	Normal
156.250	DS	4	5	2011 → 2018	Normal
156.251	Abarth	Punto	3	2005 → 2014	Normal
156.251	Fiat	Grande Punto \ P. Evo	3	2005 → 2018	Normal
156.252	Seat	Ibiza (6L)	3	2002 → 2008	Normal
156.252	Seat	Ibiza (6L)	5	2002 → 2008	Normal
156.253	Toyota	Corolla Verso (AR10)	5	2004 → 2009	Normal
156.253	Toyota	Verso	5	2009 → 2017	Normal
156.254	Seat	Leon (1P)	5	2005 → 2012	Normal
156.255	Land Rover	Freelander II	5	2006 → 2016	Normal
156.255	Mitsubishi	L200 Double Cab (K6)	4	1996 → 2005	Normal
156.255	Mitsubishi	Pajero Sport (K90)	5	1998 → 2006	Normal
156.256	Toyota	Aygo (AB40)	5	2014 → 2021	Normal
156.256	Toyota	Urban Cruiser	5	2009 → 2014	Normal
156.257	Subaru	Trezia	5	2011 → 2016	Normal
156.257	Toyota	Verso S	5	2011 → 2017	Normal
156.259	Hyundai	ix20 (JC)	5	2010 → 2019	Normal
156.259	Kia	Venga (YN)	5	2010 → 2019	Normal
156.260	Kia	Rio (UB)	5	2011 → 2017	Normal
156.261	Volkswagen	Passat (B6)	4	2005 → 2013	Normal
156.262	Volkswagen	Passat (B5)	4	1996 → 2005	Normal
156.263	Ford	Focus III	5	2011 → 2018	Normal
156.263	Ford	Focus III SW	5	2011 → 2018	Normal
156.264	Volkswagen	Golf IV (1J)	5	1997 → 2005	Normal
156.265	Nissan	Juke (F15)	5	2010 → 2019	Normal
156.266	Hyundai	ix35 (LM)	5	2010 → 2015	Normal
156.266	Toyota	Rav4 (XA30)	5	2006 → 2013	Normal
156.266	Toyota	Rav4 (XA40)	5	2013 → 2018	Normal
156.267	Ford	Fiesta V	5	2002 → 2008	Normal
156.268	Citroen	C3 I	5	2002 → 2009	Normal
156.269	Peugeot	1007	3	2005 → 2010	Normal
156.270	Volkswagen	Golf V Plus (1K)	5	2005 → 2014	Normal
156.271	Mitsubishi	L200 Double Cab (KA0T)	4	2006 → 2015	Normal
156.272	Skoda	Fabia (5J)	5	2007 → 2014	Normal
156.273	Volvo	S80 II	4	2006 → 2016	Normal
156.273	Volvo	V50	5	2004 → 2012	Normal
156.274	Peugeot	208	5	2012 → 2019	Normal
156.275	Peugeot	208	3	2012 → 2019	Normal
156.276	Fiat	500 L	5	2012 → 2023	Normal
156.276	Fiat	500 L Living	5	2013 → 2020	Normal
156.277	Audi	A3 (8P)	3	2003 → 2012	Normal

KIT	Marca	Vettura	P.	Anno	Tetto	KIT	Marca	Vettura	P.	Anno	Tetto	KIT	Marca	Vettura	P.	Anno	Tetto
156.278	Audi	A3 (8V)	3	2012 → 2017	Normal	156.308	Audi	A3 Sportback (8V)	5	2012 → 2020	Normal	156.349	Renault	Talisman	4	2016 → 2022	Normal
156.279	Audi	A1 Sportback (8X)	5	2011 → 2018	Normal	156.309	Citroen	C4 Picasso	5	2013 → 2018	Normal	156.350	Renault	Clio III	5	2005 → 2012	Fix Point
156.280	Volvo	V60	5	2010 → 2018	Normal	156.310	Audi	A6 (C6)	4	2004 → 2011	Normal	156.350	Renault	Clio III	5	2005 → 2012	Fix Point
156.281	Abarth	500	3	2007 → 2015	Normal	156.311	Alfa Romeo	147	3	2000 → 2010	Normal	156.351	Ford	Fiesta VII	5	2018 → 2024	Normal
156.281	Fiat	500	3	2007 → 2024	Normal	156.312	Nissan	Qashqai (J11)	5	2014 → 2021	Normal	156.351	Hyundai	i10 (AC3)	5	2020 →	Normal
156.282	Renault	Clio IV	5	2012 → 2019	Normal	156.314	Citroen	C4 Gran Picasso / Space Tourer	5	2013 → 2022	Normal	156.352	Renault	Clio III	3	2005 → 2012	Fix Point
156.283	DS	5	5	2012 → 2018	Normal	156.316	Hyundai	i10 (IA-BA)	5	2014 → 2020	Normal	156.353	Dacia	Logan	4	2004 → 2012	Fix Point
156.284	Honda	Civic (FN)	5	2006 → 2012	Normal	156.317	Citroen	C2	5	2003 → 2010	Fix Point	156.353	Dacia	Sandero I	5	2008 → 2012	Fix Point
156.285	Toyota	Prius+ (XV40)	5	2012 → 2021	Normal	156.318	Fiat	Panda II	5	2003 → 2012	Fix Point	156.353	Dacia	Sandero II	5	2012 → 2020	Fix Point
156.286	Peugeot	508	4	2011 → 2018	Normal	156.320	Mazda	CX-3 (DK)	5	2015 →	Normal	156.354	Volkswagen	T-Roc (A11)	5	2017 → 2025	Normal
156.287	Opel	Insignia A	4	2008 → 2017	Normal	156.321	Volvo	V40 II	5	2012 → 2019	Normal	156.355	Volkswagen	Polo VI (AW)	5	2018 →	Normal
156.288	Bmw	Serie 5 (E60)	4	2003 → 2010	Normal	156.323	Renault	Twingo III	5	2014 →	Normal	156.356	Audi	A4 (B9)	4	2016 → 2024	Normal
156.288	Bmw	Serie 5 Touring (E61)	5	2004 → 2011	Normal	156.324	Kia	Carens (RP)	5	2013 → 2018	Normal	156.357	Toyota	C-HR	5	2017 → 2024	Normal
156.288	Ssangyong	Tivoli	5	2015 → 2023	Normal	156.324	Nissan	Micra (K14)	5	2017 → 2024	Normal	156.359	Audi	A4 (B6)	4	2000 → 2004	Normal
156.289	Audi	A1 (8X)	3	2010 → 2018	Normal	156.324	Nissan	Pulsar (C13)	5	2014 → 2018	Normal	156.359	Audi	A4 (B7)	4	2004 → 2007	Normal
156.290	Volkswagen	Golf VII (5G)	5	2012 → 2020	Normal	156.325	Bmw	Serie 2 Active Tourer (F45)	5	2014 → 2021	Normal	156.359	Audi	A4 (B8)	4	2008 → 2015	Normal
156.291	Mitsubishi	Pajero (V80)	5	2006 → 2018	Normal	156.326	Ford	Courier (Tourneo)	3-5	2014 → 2023	Fix Point	156.363	Peugeot	3008 II	5	2016 → 2023	Normal
156.292	Seat	Toledo (KG)	4	2013 → 2019	Normal	156.326	Ford	Courier (Transit)	3-5	2014 → 2023	Fix Point	156.365	Opel	Grandland X	5	2017 → 2024	Normal
156.292	Skoda	Rapid (NH)	4	2013 → 2019	Normal	156.327	Renault	Espace	5	2015 → 2022	Normal	156.366	Citroen	C1 II	5	2014 → 2021	Normal
156.293	Kia	Picanto (TA)	5	2011 → 2017	Normal	156.328	Opel	Astra K	5	2015 → 2021	Normal	156.366	Peugeot	108	5	2014 → 2021	Normal
156.294	Toyota	Auris (E18)	5	2013 → 2018	Normal	156.329	Jeep	Renegade (BU)	5	2014 →	Normal	156.367	Land Rover	Discovery Sport (L550)	5	2015 →	Normal
156.295	Toyota	Land Cruiser 120	5	2002 → 2009	Fix Point	156.330	Fiat	500 X ***	5	2015 → 2024	Normal	156.368	Fiat	Tipo Berlina	4	2015 →	Normal
156.295	Toyota	Land Cruiser 150	5	2009 → 2024	Fix Point	156.331	Volkswagen	Golf VII Sportsvan (AM1)	5	2014 → 2020	Normal	156.369	Fiat	Tipo	5	2016 →	Normal
156.295	Toyota	Land Cruiser 155	3	2009 → 2024	Fix Point	156.332	Ford	Kuga	5	2013 → 2020	Normal	156.370	Volvo	S60	4	2010 → 2018	Normal
156.296	Kia	Cee'd (JD) (Panoramic)	5	2012 → 2018	Normal	156.333	Mazda	2 (DL-DJ)	5	2015 → 2021	Normal	156.371	Lancia	Ypsilon III	5	2024 →	Normal
156.297	Toyota	Hilux	4	2005 → 2015	Normal	156.335	Ford	S-Max	5	2015 → 2023	Normal	156.371	Opel	Corsa F	5	2019 →	Normal
156.298	Seat	Leon (5F)	5	2013 → 2020	Normal	156.337	Alfa Romeo	Giulia	4	2016 →	Normal	156.371	Peugeot	208	5	2019 →	Normal
156.299	Skoda	Octavia (5E)	4	2013 → 2019	Normal	156.338	Citroen	C4 III	5	2021 →	Normal	156.372	Audi	A3 Sportback (8P)	5	2004 → 2012	Normal
156.301	Renault	Grand Modus	5	2008 → 2013	Fix Point	156.338	Renault	Scenic IV	5	2017 → 2023	Normal	156.373	Toyota	Corolla (E210)	5	2019 →	Normal
156.301	Renault	Modus	5	2004 → 2013	Fix Point	156.339	Citroen	C3 III	5	2017 → 2024	Normal	156.374	Mitsubishi	Colt	5	2023 →	Normal
156.302	Renault	Captur I	5	2013 → 2019	Normal	156.340	Audi	Q2 (GA)	5	2017 →	Normal	156.374	Renault	Clio V	5	2019 →	Normal
156.303	Land Rover	Evoque (L538)	5	2011 → 2018	Normal	156.341	Kia	Rio (YB)	5	2017 → 2023	Normal	156.374	Renault	Clio VI	5	2026 →	Normal
156.304	Citroen	C8	5	2002 → 2010	Normal	156.342	Mini	Clubman (F54) ***	5	2015 → 2024	Normal	156.375	Volkswagen	Golf VIII	5	2020 →	Normal
156.304	Fiat	Ulysse II	5	2002 → 2010	Normal	156.342	Mini	Cooper (F55-F56) ***	5	2014 → 2024	Normal	156.376	DS	3	5	2018 →	Normal
156.304	Lancia	Phedra	5	2002 → 2010	Normal	156.343	Audi	A3 Berlina (8V)	4	2013 → 2020	Normal	156.376	DS	3 Crossback	5	2018 →	Normal
156.304	Peugeot	807	5	2002 → 2010	Normal	156.344	Renault	Megane IV	5	2016 →	Normal	156.377	Dacia	Sandero III	5	2021 →	Normal
156.305	Ford	Fusion	5	2002 → 2012	Normal	156.345	Skoda	Fabia (NJ)	5	2015 → 2022	Normal	156.378	Ford	Puma	5	2020 →	Normal
156.306	Daihatsu	Terios	5	2006 → 2016	Normal	156.346	Seat	Ibiza (KJ1)	5	2017 →	Normal	156.379	Hyundai	i20 (BC3)	5	2021 →	Normal
156.306	Honda	Jazz (GE)	5	2009 → 2013	Normal	156.347	Peugeot	308	5	2013 → 2021	Normal	156.380	Kia	Picanto (JA)	5	2017 →	Normal
156.306	Nissan	Note (E12)	5	2012 → 2020	Normal	156.347	Peugeot	308 SW	5	2016 → 2021	Normal	156.381	Mazda	CX-30 (DM)	5	2020 →	Normal
156.307	Mazda	3 (BM)	5	2013 → 2019	Normal	156.348	Opel	Crossland X	5	2017 → 2024	Normal	156.382	Mazda	MX-30 (DR)	5	2021 →	Normal

Kit Original per codice - *** Portata limitata a 50Kg

KIT	Marca	Vettura	P.	Anno	Tetto
156.383	Skoda	Scala	5	2019 →	Normal
156.384	Volkswagen	Taigo	5	2022 →	Normal
156.385	Audi	Q5 Sportback (FYT)	5	2021 → 2025	Normal
156.386	Seat	Ateca (KH)	5	2016 →	Normal
156.387	Peugeot	2008	5	2020 →	Normal
156.388	Peugeot	308	5	2021 →	Normal
156.388	Peugeot	308 SW	5	2022 →	Normal
156.389	Renault	Arkana	5	2021 →	Normal
156.390	Toyota	Yaris Cross	5	2020 →	Normal
156.391	Fiat	500	3	2025 →	Normal
156.391	Fiat	500 e	3	2020 →	Normal
156.392	Toyota	Hilux	4	2016 →	Normal
156.393	DS	4	5	2021 →	Normal
156.394	Opel	Mokka	5	2021 →	Normal
156.395	Honda	Jazz (GK)	5	2013 → 2019	Normal
156.396	Audi	Q3 Sportback	5	2019 → 2025	Normal
156.397	Mazda	2 (KB)	5	2022 →	Normal
156.397	Toyota	Yaris (XP210)	5	2020 →	Normal
156.398	Audi	A3 Sportback (8Y)	5	2020 →	Normal
156.399	Mitsubishi	ASX II	5	2023 →	Normal
156.399	Renault	Captur II	5	2019 →	Normal

KIT	Marca	Vettura	P.	Anno	Tetto
163.200	Kia	EV6	5	2022 →	Normal
163.201	Hyundai	Ioniq	4	2016 → 2022	Normal
163.201	Kia	Niro (SG2)	5	2021 →	Normal
163.202	Volkswagen	T-Cross (No Rails)	5	2019 →	Normal
163.203	Citroen	C5X	5	2022 →	Normal
163.204	Lexus	ES (XZ10)	4	2018 →	Normal
163.205	MG	MG4	5	2022 →	Normal
163.206	Ford	Ecosport (no rails)	5	2012 → 2023	Normal
163.207	Skoda	Fabia (PJ3)	5	2022 →	Normal
163.208	Renault	Megane E-Tech	5	2021 →	Normal
163.209	Toyota	Prius (XW20)	5	2003 → 2009	Normal
163.210	Jeep	Avenger	5	2023 →	Normal
163.211	Renault	Austral	5	2023 →	Normal
163.212	Nissan	Qashqai (J12)	5	2021 →	Normal
163.213	Nissan	Juke (F16)	5	2019 →	Normal
163.214	Mazda	CX-60	5	2022 →	Normal
163.215	Honda	ZR-V	5	2022 →	Normal
163.216	Skoda	Enyaq Coupé	5	2023 →	Normal
163.217	Peugeot	408	5	2023 →	Normal
163.218	Toyota	Prius (XW60)	5	2022 →	Normal
163.219	Volkswagen	Passat (B8)	4	2015 → 2023	Normal

KIT	Marca	Vettura	P.	Anno	Tetto
163.220	Jaguar	E-Pace (X540)	5	2017 →	Normal
163.221	Toyota	Prius (XW50)	5	2015 → 2022	Normal
163.222	Toyota	C-HR	5	2024 →	Normal
163.223	Polestar	2	4	2020 →	Normal
163.224	Ssangyong	Rexton Sport	4	2017 →	Normal
163.225	Renault	Rafale	5	2024 →	Normal
163.227	Cupra	Tavascan	5	2024 →	Normal
163.228	Peugeot	3008 III	5	2024 →	Normal
163.229	Citroen	C3 IV	5	2024 →	Normal
163.229	Citroen	C3 IV	5	2024 →	Rails int.
163.229	Citroen	C3 IV Aircross	5	2025 →	Normal
163.229	Citroen	C3 IV Aircross	5	2025 →	Rails int.
163.229	Opel	Frontera	5	2025 →	Normal
163.230	Opel	Grandland	5	2025 →	Normal
163.231	Abarth	600	5	2025 →	Normal
163.231	Alfa Romeo	Junior	5	2025 →	Normal
163.231	Fiat	600	5	2025 →	Normal
163.232	Ford	Capri	5	2025 →	Normal
163.233	Fiat	Grande Panda	5	2025 →	Normal
163.234	Renault	Symbioz	5	2025 →	Normal

Note:

Applicazioni KIT TREK - per codice

KIT	Marca	Vettura	P.	Anno	Tetto	KIT	Marca	Vettura	P.	Anno	Tetto
401	Audi	A3 Sportback (8P)	5	2004 → 2013	Rails Int.	406	Nissan	X-Trail (T30-T31)	5	2001 → 2014	T-Profile
402	Opel	Astra H SW*	5	2004 → 2007	Rails Int.	406	Peugeot	806	5	1994 → 2002	T-Profile
402	Opel	Signum	5	2003 → 2008	Rails Int.	406	Peugeot	807	5	2002 → 2010	T-Profile
402	Opel	Vectra C	5	2002 → 2008	Rails Int.	406	Porsche	Cayenne (9PA)	5	2002 → 2009	T-Profile
402	Opel	Zafira B *	5	2005 → 2007	Rails Int.	406	Renault	Espace	5	1996 → 2002	T-Profile
403	Audi	A6 SW (C6)	5	2005 → 2011	Rails Int.	406	Renault	Espace	5	2002 → 2014	T-Profile
404	Seat	Altea Freetrack (5P)	5	2007 → 2015	Rails Int.	406	Volkswagen	Touareg (7L)	5	2002 → 2010	T-Profile
404	Seat	Altea XL (5P)	5	2006 → 2015	Rails Int.	406	Volkswagen	Transporter (T5)	3-5	2003 → 2015	T-Profile
404	Seat	Ibiza SW (6J-6P)	5	2010 → 2017	Rails Int.	406	Volkswagen	Transporter (T6)	3-5	2015 →	T-Profile
404	Seat	Leon SW (5F)	5	2014 → 2020	Rails Int.	407	Opel	Insignia A SW	5	2009 → 2017	Rails Int.
405	Opel	Astra J SW	5	2010 → 2015	Rails Int.	408	Bmw	Serie 3 Touring (E91)	5	2010 → 2012	Rails Int.
405	Opel	Zafira C (Tourer)	5	2011 → 2018	Rails Int.	408	Bmw	X5 (E70)	5	2007 → 2013	Rails Int.
406	Chrysler	PT Cruiser	5	2000 → 2010	T-Profile	409	Opel	Astra H SW**	5	2007 → 2011	Rails Int.
406	Chrysler	Voyager	5	2001 → 2008	T-Profile	409	Opel	Zafira B **	5	2007 → 2014	Rails Int.
406	Citroen	C8	5	2002 → 2010	T-Profile	410	Audi	A4 SW (B8)	5	2008 → 2015	Rails Int.
406	Citroen	Evasion	5	1994 → 2002	T-Profile	411	Fiat	Qubo	5	2008 → 2020	Railing
406	Citroen	Xantia SW	5	1995 → 2001	T-Profile	411	Mitsubishi	Outlander (CU)	5	2003 → 2007	Railing
406	Citroen	Xsara SW	5	1997 → 2004	T-Profile	412	Dacia	Duster	5	2010 → 2013	Railing
406	Fiat	Ulysse I	5	1994 → 2002	T-Profile	412	Renault	Clio III SW	5	2005 → 2008	Railing
406	Fiat	Ulysse II	5	2002 → 2010	T-Profile	412	Renault	Laguna III SW	5	2007 → 2015	Railing
406	Ford	Focus II SW	5	2004 → 2011	T-Profile	414	Ford	Focus III SW	5	2011 → 2018	Rails Int.
406	Ford	Galaxy	5	2006 → 2010	T-Profile	414	Ford	Mondeo SW	5	2012 → 2014	Rails Int.
406	Jeep	Cherokee (XJ)	5	1984 → 2001	T-Profile	415	Bmw	Serie 5 Touring (F11)	5	2010 → 2017	Rails Int.
406	Lancia	Phedra	5	2002 → 2010	T-Profile	416	Hyundai	ix35 (LM)***	5	2010 → 2015	Rails Int.
406	Lancia	Zeta	5	1995 → 2002	T-Profile	416	Kia	Sportage (SL)***	5	2010 → 2016	Rails Int.
406	Land Rover	Discovery	5	2010 → 2017	T-Profile	418	Bmw	X3 (F25)	5	2011 → 2017	Rails Int.
406	Mazda	MPV (LW)	5	1999 → 2005	T-Profile	419	Fiat	Panda III	5	2012 →	Rails Int.
406	Mercedes	Vito (W638)	3-5	1996 → 2003	T-Profile	420	Hyundai	Kona	5	2017 → 2023	Rails Int.

I Kit Trek riportati in grassetto (**402 - 406 - 408 - 411 - 412- 420**) ricoprono delle applicazioni che la barra Quick non è in grado di ricoprire. Pertanto le loro applicazioni non possono essere sostituite dalla nuova barra Quick.

* il Rails Int. presenta due bugne quadrate in rilievo

** il Rails Int. presenta 2 fori tondi in bassofondo

*** 50Kg Max

Applicazioni KIT QUICK / EDGE - per Codice KIT

KIT	Marca	Vettura	Porte	Anno		Tetto	Componibile		Preassemblata			
				Calendario	→		Piede 156.601	Traversa (Cm)	EasyOne Quick (156.xxx)	Edge (157.xxx)	Freeline (156.xxx)	
156.650	Citroen	C4 Cactus	5	2015	→	2020	Railing	●	107	857-957	/	730
156.651	Citroen	Berlingo III	5	2024	→		Rails Int.	●	113	857-957	/	730
156.651	Citroen	C4 Aircross	5	2012	→	2017	Rails Int.	●	107	857-957	/	730
156.651	Dacia	Lodgy	5	2012	→	2022	Rails Int.	●	107	865-965	/	715
156.651	Fiat	500 X	5	2015	→	2024	Rails Int.	●	107	865-965	/	715
156.651	Fiat	Doblò III	5	2024	→		Rails Int.	●	113	857-957	/	730
156.651	Fiat	Tipo SW	5	2016	→		Rails Int.	●	107	857-957	/	715
156.651	Mitsubishi	ASX I	5	2010	→	2022	Rails Int.	●	107	857-957	/	730
156.651	Mitsubishi	Eclipse Cross (GK)	5	2018	→		Rails Int.	●	107	857-957	/	730
156.651	Mitsubishi	Outlander (GG-GF)	5	2013	→	2022	Rails Int.	●	113	857-957	/	730
156.651	Peugeot	4008	5	2012	→	2017	Rails Int.	●	107	857-957	/	730
156.651	Peugeot	Partner III/Rifter	5	2023	→		Rails Int.	●	113	865-965	/	730
156.651	Toyota	Proace City Verso	5	2023	→		Rails Int.	●	113	857-957	/	730
156.651	Volkswagen	Caddy Alltrack	5	2016	→	2021	Railing	●	107	857-957	/	715
156.652	Dacia	Duster	5	2014	→	2017	Railing	●	107	857-957	812	715
156.653	Daihatsu	Terios	5	1998	→	2005	Rails Int.	●	107	865-965	/	/
156.653	Ford	Connect (Tourneo)	5	2014	→	2021	Rails Int.	●	113	857-957	/	/
156.653	Ford	Connect (Grand Tourneo)	5	2014	→	2021	Rails Int.	●	113	857-957	/	/
156.653	Ford	Connect (Transit)	5	2014	→	2021	Rails Int.	●	113	857-957	/	/
156.653	Ford	Galaxy	5	2010	→	2015	Rails Int.	●	120	865-965	/	/
156.653	Suzuki	Grand Vitara (JT)	3-5	2005	→	2015	Rails Int.	●	107	857-957	/	/
156.654	Jeep	Compass (MP)	5	2017	→	2025	Rails Int.	●	107	857-957	/	715
156.655	Aion	V	5	2025	→		Railing	●	107	857-957	/	/
156.655	Citroen	Berlingo III	3-5	2018	→		Railing	●	113	865-965	/	/
156.655	Citroen	C3 Aircross	5	2017	→	2024	Railing	●	107	865-965	/	/
156.655	Dacia	Duster	5	2018	→	2024	Railing	●	107	865-965	/	/
156.655	Fiat	Doblò III	3-5	2022	→		Railing	●	113	857-957	/	/
156.655	Foton	Tunland V9	4	2025	→		Railing	●	126	857-957	/	/
156.655	ICH-X	K3	5	2025	→		Railing	●	107	857-957	/	/
156.655	Isuzu	D-Max	4	2012	→	2019	Railing	●	107	857-957	/	/
156.655	Kia	Stonic (YB)	5	2017	→		Railing	●	107	857-957	/	/

KIT	Marca	Vettura	Porte	Anno		Tetto	Componibile		Preassemblata			
				Calendario	→		Piede 156.601	Traversa (Cm)	EasyOne Quick (156.xxx)	Edge (157.xxx)	Freeline (156.xxx)	
156.655	Opel	Combo E	3-5	2018	→		Railing	●	113	857-957	/	/
156.655	Peugeot	Partner III/Rifter	3-5	2018	→		Railing	●	113	865-965	/	/
156.655	Ssangyong	Musso II	2-4	2018	→	2023	Railing	●	107	857-957	/	/
156.655	Ssangyong	Rexton IV	5	2017	→		Railing	●	107	857-957	/	/
156.655	Toyota	Proace City Verso	3-5	2020	→		Railing	●	113	857-957	/	/
156.656	DR	6***	5	2017	→	2021	Rails Int.	●	107	865-965	/	730
156.656	Hyundai	i30 SW (PD)***	5	2017	→		Rails Int.	●	107	857-957	/	715
156.656	Hyundai	ix35 (LM)***	5	2010	→	2015	Rails Int.	●	107	857-957	/	730
156.656	Hyundai	Tucson (TL)***	5	2015	→	2017	Rails Int.	●	107	857-957	/	730
156.656	Kia	Cee'd SW (JD)	5	2012	→	2017	Rails Int.	●	107	857-957	/	715
156.656	Kia	Cee'd SW (CD)***	5	2018	→		Rails Int.	●	107	857-957	/	715
156.656	Kia	Niro ***	5	2016	→	2022	Rails Int.	●	107	857-957	/	730
156.656	Kia	Optima SW (JF)***	5	2017	→	2020	Rails Int.	●	107	857-957	/	715
156.656	Kia	Soul (PS)***	5	2014	→	2018	Rails Int.	●	107	857-957	/	730
156.656	Kia	Sportage (SL)***	5	2010	→	2016	Rails Int.	●	107	857-957	/	730
156.656	Kia	Sportage (QL)***	5	2016	→	2021	Rails Int.	●	107	857-957	/	730
156.656	Ssangyong	Tivoli	5	2015	→	2023	Rails Int.	●	107	857-957	/	715
156.657	Fiat	Tipo Cross	5	2021	→		Rails Int.	●	107	857-957	/	715
157.401	Citroen	C4 Aircross	5	2012	→	2017	Rails Int.	/	/	/	812	/
157.401	Dacia	Lodgy	5	2012	→	2022	Rails Int.	/	/	/	812	/
157.401	Fiat	500 X	5	2015	→	2024	Rails Int.	/	/	/	812	/
157.401	Ford	Fiesta VII Active	5	2018	→	2024	Rails Int.	/	/	/	812	/
157.401	Ford	Focus IV Active	5	2019	→		Rails Int.	/	/	/	812	/
157.401	Ford	Focus IV SW	5	2018	→		Rails Int.	/	/	/	812	/
157.401	Mitsubishi	ASX I	5	2010	→	2022	Rails Int.	/	/	/	812	/
157.401	Mitsubishi	Eclipse Cross (GK)	5	2018	→		Rails Int.	/	/	/	812	/
157.401	Mitsubishi	Outlander (GG-GF)	5	2013	→	2022	Rails Int.	/	/	/	820	/
157.401	Opel	Frontera	5	2025	→		Rails Int.	/	/	/	812	/
157.401	Peugeot	4008	5	2012	→	2017	Rails Int.	/	/	/	812	/
157.401	Volkswagen	T-Cross	5	2019	→		Railing	/	/	/	812	/

*** Portata limitata a 50 KG

Note:

Applicazioni EASY ONE EVO per Codice Barra

KIT	Marca	Vettura	P	Anno	Tetto	KIT	Marca	Vettura	P	Anno	Tetto	KIT	Marca	Vettura	P	Anno	Tetto
1	Renault	Grand Scenic	5	2003 → 2009	Fix Point	7	Citroen	Nemo	3-5	2008 → 2017	Fix Point	16	Peugeot	5008 (No Rails)	5	2009 → 2016	Fix Point
1	Renault	Megane II	4	2002 → 2010	Fix Point	7	Fiat	Doblò I	3-5	2000 → 2010	Fix Point	17	Fiat	Idea	5	2004 → 2012	Fix Point
1	Renault	Megane II	3-5	2002 → 2010	Fix Point	7	Fiat	Fiorino	3-5	2008 → 2024	Fix Point	17	Fiat	Stilo	3-5	2001 → 2007	Fix Point
1	Renault	Scenic II	5	2003 → 2009	Fix Point	7	Fiat	Qubo	3-5	2008 → 2024	Fix Point	17	Lancia	Musa	5	2004 → 2012	Fix Point
2	Fiat	Fiorino	3-5	1987 → 2001	Fix Point	7	Peugeot	Bipper	3-5	2007 → 2016	Fix Point	18	Ford	Focus I	5	1998 → 2004	Normal
2	Ford	Connect	3-5	2002 → 2012	Fix Point	7	Volkswagen	Amarok	3-5	2011 → 2022	Fix Point	19	Fiat	Grande Punto \ P. Evo	5	2005 → 2018	Normal
2	Mercedes	Citan (W415)	3-5	2012 → 2021	Fix Point	8	Citroen	C4 Gran Picasso	5	2006 → 2013	Fix Point	19	Fiat	Punto III	5	2012 → 2018	Normal
2	Nissan	NV250	3-5	2009 → 2021	Fix Point	8	Citroen	C4 I	3	2004 → 2010	Fix Point	20	Fiat	Punto I	5	1993 → 1999	Normal
2	Opel	Combo C	3	2001 → 2012	Fix Point	8	Citroen	C4 I	5	2004 → 2010	Fix Point	20	Fiat	Tempra	4	1990 → 1996	Normal
2	Renault	Kangoo II	3-5	2008 → 2020	Fix Point	8	Citroen	C4 Picasso	5	2007 → 2013	Fix Point	20	Fiat	Tipo	3-5	1988 → 1995	Normal
3	Bmw	Serie 1 (E87)	3-5	2004 → 2011	Fix Point	9	Hyundai	i30 (FD)	3-5	2007 → 2012	Fix Point	21	Chevrolet	Matiz	5	1998 → 2005	Normal
3	Bmw	Serie 1 (F20)	3-5	2011 → 2019	Fix Point	9	Hyundai	i30 (GD)	3-5	2012 → 2017	Fix Point	21	Citroen	Xsara	5	1997 → 2004	Normal
3	Bmw	Serie 1 coupè (E82)	3	2007 → 2013	Fix Point	9	Kia	Cee'd (ED)	3-5	2006 → 2012	Fix Point	21	Daewoo	Matiz	5	1998 → 2007	Normal
3	Bmw	Serie 2 Coupè (F22)	3	2014 → 2021	Fix Point	9	Kia	Cee'd (JD)	3-5	2012 → 2018	Fix Point	21	Nissan	Almera (N15)	4	1995 → 2000	Normal
3	Bmw	Serie 3 (E46)	4	1998 → 2005	Fix Point	9	Mazda	2 (DE)	3-5	2007 → 2015	Fix Point	21	Nissan	Primera (P10)	5	1990 → 1996	Normal
3	Bmw	Serie 3 (E90)	4	2005 → 2012	Fix Point	9	Mazda	5 (CR-CW)	5	2005 → 2015	Fix Point	21	Renault	Clio II \ Clio Storia	5	1998 → 2005	Normal
3	Bmw	Serie 3 (F30)	4	2012 → 2019	Fix Point	9	Mazda	6 (GH)	4	2007 → 2012	Fix Point	21	Renault	R21	5	1989 → 1994	Normal
3	Bmw	Serie 3 Coupè (E92)	3	2006 → 2014	Fix Point	10	Alfa Romeo	Mito	3	2008 → 2018	Fix Point	22	Citroen	Berlingo I	3-5	1996 → 2008	Normal
3	Bmw	Serie 3 Touring (E46)	5	1999 → 2002	Fix Point	11	Fiat	Panda III	5	2012 →	Fix Point	22	Citroen	Xsara Picasso	5	1999 → 2010	Normal
3	Bmw	Serie 3 Touring (E46)	5	2003 → 2005	Fix Point	12	Mercedes	CLA (C117)	4	2013 → 2019	Fix Point	22	Peugeot	Partner - Ranch	3-5	1996 → 2008	Normal
3	Bmw	Serie 3 Touring (E91)	5	2005 → 2012	Fix Point	12	Mercedes	CLA Shooting Brake (X117)	5	2015 → 2019	Fix Point	23	Audi	A3 (8L)	3	1996 → 2003	Normal
3	Bmw	Serie 4 Coupè (F32)	3	2013 → 2020	Fix Point	12	Mercedes	CLA Shooting Brake (X118)	5	2019 →	Fix Point	23	Daewoo	Lanos	5	1997 → 2005	Normal
3	Bmw	Serie 4 Gran Coupè (F36)	4	2014 → 2021	Fix Point	12	Mercedes	Classe A (W176)	5	2012 → 2018	Fix Point	23	Nissan	Micra (K13)	5	2010 → 2017	Normal
4	Peugeot	307	3-5	2001 → 2009	Fix Point	12	Mercedes	Classe A (W177)	5	2018 →	Fix Point	23	Renault	Megane I	5	1996 → 2002	Normal
5	Citroen	C3 II	5	2009 → 2016	Fix Point	12	Mercedes	Classe C Coupè (C204)	2	2011 → 2015	Fix Point	23	Rover	600 (RH)	4	1993 → 1999	Normal
5	Citroen	C5 II	4	2008 → 2017	Fix Point	12	Mercedes	Classe C Coupè (C205)	2	2016 → 2021	Fix Point	23	Suzuki	Alto (HA24)	5	2002 → 2009	Normal
5	DS	3	3	2010 → 2019	Fix Point	12	Mercedes	Classe E Coupè (C207)	2	2009 → 2016	Fix Point	24	Alfa Romeo	75	4	1985 → 1992	Normal
5	Peugeot	207	3-5	2006 → 2015	Fix Point	13	Mercedes	Classe A (W169)	3-5	2004 → 2012	Fix Point	24	Mercedes	190 (W201)	4	1982 → 1993	Normal
5	Peugeot	407	3-4	2004 → 2012	Fix Point	13	Mercedes	Classe B (W245)	5	2005 → 2011	Fix Point	24	Mercedes	Classe C (W202)	4	1993 → 2000	Normal
6	Dacia	Dokker	3-5	2012 → 2021	Fix Point	14	Ford	C-Max I	3-5	2003 → 2010	Fix Point	24	Mercedes	Classe C (W203)	4	2000 → 2007	Normal
6	Mercedes	Citan (W420)	3-5	2022 →	Fix Point	14	Ford	Focus II	3-5	2004 → 2011	Fix Point	24	Mercedes	Classe E (W210)	4	1995 → 2002	Normal
6	Nissan	Kubistar (X76)	3-5	2003 → 2009	Fix Point	14	Ford	Focus II SW	5	2004 → 2011	Fix Point	24	Toyota	Avensis (T25)	4-5	2003 → 2009	Normal
6	Nissan	Townstar	3-5	2022 →	Fix Point	14	Opel	Zafira B Cosmo	5	2007 → 2011	Fix Point	24	Toyota	Prius+ (XV40)	5	2012 → 2021	Normal
6	Renault	Kangoo I	3-5	1998 → 2007	Fix Point	15	Fiat	Punto I	3	1993 → 1999	Normal	25	Citroen	Saxo	5	1996 → 2005	Normal
6	Renault	Kangoo III	3-5	2022 →	Fix Point	16	Citroen	C6	4	2005 → 2012	Fix Point	25	Daihatsu	Terios	5	1997 → 2005	Normal
6	Volkswagen	Caddy	3-5	2003 → 2015	Fix Point	16	Peugeot	308	3-5	2007 → 2013	Fix Point	25	Ford	Fiesta IV	5	1995 → 2002	Normal
6	Volkswagen	Caddy	3-5	2015 → 2020	Fix Point	16	Peugeot	3008 I	5	2009 → 2016	Fix Point	25	Mazda	121 (JASM-JBSM)	5	1996 → 2001	Normal

KIT	Marca	Vettura	P	Anno	Tetto	KIT	Marca	Vettura	P	Anno	Tetto	KIT	Marca	Vettura	P	Anno	Tetto
25	Nissan	Micra (K11)	5	1992 → 2003	Normal	33	Toyota	Yaris (XP10)	5	1999 → 2005	Normal	36	Volkswagen	T-Cross (No Rails)	5	2019 →	Normal
25	Peugeot	106	5	1991 → 2003	Normal	33	Toyota	Yaris (XP90)	5	2005 → 2011	Normal	36	Volkswagen	Tiguan (5N)	5	2007 → 2016	Normal
25	Peugeot	205	5	1983 → 1998	Normal	33	Toyota	Yaris (XP130)	5	2011 → 2020	Normal	36	Volkswagen	Up	5	2012 →	Normal
25	Seat	Ibiza (021A)	5	1984 → 1993	Normal	35	Honda	Civic (FN)	5	2006 → 2012	Normal	37	Volkswagen	Bora (1J)	4	1998 → 2005	Normal
25	Suzuki	Alto (SS)	3-5	1982 → 1985	Normal	35	Honda	Jazz (GD)	5	2002 → 2008	Normal	37	Volkswagen	Golf IV (1J)	5	1997 → 2003	Normal
25	Suzuki	Alto (CA-CL-HA)	5	1986 → 2002	Normal	35	Hyundai	ix20 (JC)	5	2010 → 2019	Normal	38	Volkswagen	Golf IV (1J)	3	1997 → 2004	Normal
26	Ford	Escort	4	1990 → 1999	Normal	35	Kia	Venga (YN)	5	2010 → 2019	Normal	39	Fiat	Punto II	3	1999 → 2010	Normal
26	Peugeot	306	5	1994 → 2002	Normal	35	Mitsubishi	Pajero Sport (K90)	5	1998 → 2006	Normal	40	Citroen	C4 Aircross	5	2012 → 2017	Fix Point
26	Peugeot	406	4	1995 → 2005	Normal	35	Nissan	Note (E11)	5	2004 → 2014	Normal	40	Hyundai	i20 (GB)	5	2015 → 2020	Fix Point
27	Citroen	Xantia	5	1993 → 1998	Normal	35	Seat	Toledo (KG)	4	2013 → 2019	Normal	40	Hyundai	i30 (PD)	5	2017 →	Fix Point
27	Lancia	Kappa	4	1994 → 2001	Normal	35	Skoda	Rapid (NH)	4	2013 → 2019	Normal	40	Kia	Cee'd (CD)	5	2018 →	Fix Point
27	Peugeot	405	4	1987 → 1996	Normal	35	Subaru	Trezia	5	2011 → 2016	Normal	40	Kia	Soul	5	2014 → 2018	Fix Point
28	Ford	Fiesta III	3	1989 → 1995	Fix Point	35	Toyota	Verso S	5	2011 → 2017	Normal	40	Mazda	3 (BK)	4-5	2004 → 2009	Fix Point
28	Ford	Fiesta IV	3	1995 → 2002	Fix Point	35	Volvo	V50	5	2004 → 2012	Normal	40	Mazda	3 (BL)	4-5	2009 → 2013	Fix Point
28	Ford	Sierra II	5	1987 → 1993	Fix Point	36	Audi	A3 Sportback (8P)	5	2004 → 2012	Normal	40	Mazda	CX-5 (KE)	5	2012 → 2017	Fix Point
28	Mazda	121 (JASM-JBSM)	3	1996 → 2001	Fix Point	36	Audi	Q5 Sportback (FYT)	5	2021 → 2025	Normal	40	Mitsubishi	ASX I	5	2010 → 2022	Fix Point
28	Opel	Astra F	3-5	1991 → 1998	Fix Point	36	Ford	Ecosport (no rails)	5	2012 → 2023	Normal	40	Mitsubishi	Lancer (CY0-CX)	4-5	2008 → 2015	Fix Point
28	Opel	Astra G	3-5	1998 → 2004	Fix Point	36	Ford	Fiesta VII	5	2018 → 2024	Normal	40	Mitsubishi	Lancer Evo 10	4	2008 → 2016	Fix Point
28	Opel	Astra G SW	5	1998 → 2004	Fix Point	36	Hyundai	i10 (AC3)	5	2020 →	Normal	40	Peugeot	4008	5	2012 → 2017	Fix Point
28	Opel	Calibra	3	1990 → 1997	Fix Point	36	Hyundai	Ioniq	4	2016 → 2022	Normal	41	Citroen	C5 I	4	2000 → 2008	Normal
28	Opel	Corsa B	3-5	1993 → 2000	Fix Point	36	Kia	Rio (UB)	5	2011 → 2017	Normal	41	Skoda	Fabia (5J)	5	2007 → 2014	Normal
28	Opel	Corsa C	3-5	2000 → 2006	Fix Point	36	Leapmotor	T03	5	2020 →	Normal	42	Mercedes	Classe B (W246)	5	2011 → 2018	Fix Point
28	Opel	Kadett E	3-5	1984 → 1991	Fix Point	36	Mini	Clubman (F54) ***	5	2015 → 2024	Normal	42	Mercedes	Classe B (W247)	5	2019 →	Fix Point
28	Opel	Tigra A	3	1994 → 2000	Fix Point	36	Seat	Altea (5P)	5	2004 → 2015	Normal	42	Mercedes	Classe C (W204)	4	2007 → 2013	Fix Point
28	Renault	Scenic I	5	1996 → 2003	Fix Point	36	Seat	Leon (1P)	5	2005 → 2012	Normal	42	Mercedes	Classe C (W205)	4	2014 → 2021	Fix Point
28	Renault	Scenic I	5	1996 → 2003	Normal	36	Seat	Mii (KF1)	5	2012 → 2021	Normal	42	Mercedes	Classe E (W212)	4	2009 → 2016	Fix Point
28	Seat	Toledo (1L)	5	1991 → 1999	Fix Point	36	Seat	Toledo (5P)	5	2004 → 2009	Normal	43	Ford	Fiesta V	3	2002 → 2008	Normal
29	Renault	Clio I	5	1990 → 1998	Normal	36	Skoda	Citigo	5	2012 → 2020	Normal	43	Lancia	Ypsilon I	3	2003 → 2011	Normal
29	Renault	R19	5	1988 → 1995	Normal	36	Ssangyong	Tivoli	5	2015 → 2023	Normal	44	Ford	KA+	5	2016 → 2019	Normal
30	Peugeot	206	5	1998 → 2012	Normal	36	Tata	Indica	5	2010 → 2017	Normal	44	Hyundai	Atos Prime (MX)	5	1997 → 2008	Normal
31	Fiat	Punto II	5	1999 → 2010	Normal	36	Toyota	Auris (E18)	5	2013 → 2018	Normal	44	Kia	Picanto (BA)	5	2004 → 2011	Normal
32	Audi	A3 (8P)	3	2003 → 2012	Normal	36	Volkswagen	Golf V (1K)	5	2003 → 2008	Normal	44	Renault	Laguna I	5	1993 → 2001	Normal
32	Bmw	Serie 5 (E60)	4	2003 → 2010	Normal	36	Volkswagen	Golf V Plus (1K)	5	2005 → 2014	Normal	44	Toyota	Avensis (T22)	4-5	1997 → 2003	Normal
32	Tata	Xenon (Pick Up)	4	2007 → 2012	Normal	36	Volkswagen	Golf VI (5K)	5	2008 → 2012	Normal	44	Toyota	Carina (T17)	5	1987 → 1993	Normal
32	Toyota	Hilux	4	2005 → 2015	Normal	36	Volkswagen	Passat (B6)	4	2005 → 2013	Normal	46	Fiat	Cinquecento	3	1991 → 1998	Normal
33	Citroen	C3 I	5	2002 → 2009	Normal	36	Volkswagen	Polo IV (9N)	3	2001 → 2009	Normal	46	Fiat	Seicento	3	1998 → 2010	Normal
33	Daihatsu	Sirion II	5	2005 → 2016	Normal	36	Volkswagen	Polo IV (9N)	5	2001 → 2009	Normal	47	Opel	Astra H	3	2004 → 2011	Fix Point
33	Nissan	Pixo (UA0)	5	2009 → 2014	Normal	36	Volkswagen	Polo V (6R)	5	2009 → 2017	Normal	47	Opel	Astra H	5	2004 → 2011	Fix Point
33	Suzuki	Alto (HA25)	5	2008 → 2014	Normal	36	Volkswagen	Taigo	5	2022 →	Normal	47	Opel	Astra H SW	5	2004 → 2011	Fix Point

Easy One EVO per codice - *** Portata limitata a 50Kg

KIT	Marca	Vettura	P	Anno	Tetto	KIT	Marca	Vettura	P	Anno	Tetto	KIT	Marca	Vettura	P	Anno	Tetto
48	Alfa Romeo	147	5	2000 → 2010	Normal	59	Mercedes	Classe A (W168)	5	1997 → 2004	Normal	66	Volkswagen	Golf VII (5G)	5	2012 → 2020	Normal
49	Citroen	C1 I	5	2005 → 2014	Normal	59	Peugeot	108	5	2014 → 2021	Normal	67	Abarth	500	3	2007 → 2015	Normal
49	Peugeot	107	5	2005 → 2014	Normal	59	Toyota	Aygo (AB40)	5	2014 → 2021	Normal	67	Fiat	500	3	2007 → 2024	Normal
49	Renault	Laguna II	5	2001 → 2007	Normal	59	Toyota	Aygo X	5	2022 →	Normal	68	Ford	Focus III	5	2011 → 2018	Normal
49	Toyota	Aygo (AB10)	5	2005 → 2014	Normal	60	Fiat	Panda I	3	1979 → 2003	Normal	69	Opel	Adam	3	2013 → 2019	Fix Point
50	Ford	B-Max	5	2012 → 2018	Normal	60	Seat	Marbella (28)	3	1986 → 1998	Normal	69	Opel	Corsa D	3-5	2006 → 2015	Fix Point
52	Citroen	Saxo	3	1996 → 2004	Normal	63	Seat	Ibiza (6L)	3	2002 → 2008	Normal	69	Opel	Corsa E	3-5	2015 → 2019	Fix Point
52	Nissan	Micra (K11)	3	1992 → 2003	Normal	63	Seat	Ibiza (6L)	5	2002 → 2008	Normal	69	Opel	Meriva A	5	2003 → 2010	Fix Point
52	Peugeot	106	3	1991 → 2003	Normal	64	DR	PK8	4	2022 →	Normal	69	Opel	Meriva B	5	2010 → 2017	Fix Point
53	Dacia	Sandero I	5	2008 → 2012	Fix Point	64	EVO	Cross 4	4	2022 →	Normal	69	Opel	Zafira C (Tourer)	5	2011 → 2018	Fix Point
53	Dacia	Sandero II	5	2012 → 2020	Fix Point	64	MG	MG4	5	2022 →	Normal	70	Opel	Astra J	3-5	2009 → 2015	Fix Point
53	Renault	Grand Modus	5	2008 → 2013	Fix Point	64	Seat	Ibiza (6J-6P)	5	2008 → 2017	Normal	70	Opel	Astra J Berlina	4	2012 → 2018	Fix Point
53	Renault	Modus	5	2004 → 2013	Fix Point	65	Audi	A1 Sportback (8X)	5	2011 → 2018	Normal	70	Skoda	Fabia (6Y)	5	1999 → 2007	Fix Point
55	Ford	Fiesta V	5	2002 → 2008	Normal	65	Citroen	C4 II	5	2010 → 2018	Normal	70	Volkswagen	Polo III (6N)	3-5	1995 → 2001	Fix Point
55	Ford	Fiesta VI	5	2008 → 2017	Normal	65	DS	4	5	2011 → 2018	Normal	71	Mazda	3 (BM)	5	2013 → 2019	Normal
55	Ford	Fusion	5	2002 → 2012	Normal	65	DS	5	5	2012 → 2018	Normal	72	Bmw	Serie 2 Active Tourer (F45)	5	2014 → 2021	Normal
55	Hyundai	i10 (IA-BA)	5	2014 → 2020	Normal	65	Fiat	500 L	5	2012 → 2023	Normal	72	Skoda	Fabia (NJ)	5	2015 → 2022	Normal
56	Abarth	Punto	3	2005 → 2014	Normal	65	Fiat	500 L Living	5	2013 → 2020	Normal	75	Jeep	Avenger	5	2023 →	Normal
56	Fiat	Grande Punto \ P. Evo	3	2005 → 2018	Normal	65	Fiat	Bravo II	5	2007 → 2014	Normal	75	Lancia	Ypsilon III	5	2024 →	Normal
57	Alfa Romeo	159	4	2005 → 2013	Normal	65	Lancia	Delta	5	2008 → 2014	Normal	75	Mitsubishi	ASX II	5	2023 →	Normal
57	Alfa Romeo	159 SW	5	2005 → 2013	Normal	65	Lancia	Ypsilon II	5	2011 → 2024	Normal	75	Opel	Corsa F	5	2019 →	Normal
57	Chevrolet	Aveo II	5	2011 → 2016	Normal	65	Opel	Astra K	5	2015 → 2021	Normal	75	Opel	Grandland X	5	2017 → 2024	Normal
57	Chevrolet	Kalos	5	2005 → 2008	Normal	65	Opel	Crossland X	5	2017 → 2024	Normal	75	Peugeot	208	5	2019 →	Normal
57	Chevrolet	Spark	5	2010 → 2016	Normal	65	Opel	Insignia A	4	2008 → 2017	Normal	75	Peugeot	308	5	2013 → 2021	Normal
57	Daewoo	Kalos	5	2002 → 2005	Normal	65	Peugeot	208	5	2012 → 2019	Normal	75	Peugeot	308 II	5	2016 → 2023	Normal
57	Daihatsu	Sirion	5	1998 → 2005	Normal	65	Peugeot	508	4	2011 → 2018	Normal	75	Peugeot	308 SW	5	2016 → 2021	Normal
57	Hyundai	i10 (PA)	5	2007 → 2013	Normal	65	Renault	Captur I	5	2013 → 2019	Normal	75	Renault	Captur II	5	2019 →	Normal
57	Nissan	Juke (F15)	5	2010 → 2019	Normal	65	Renault	Clio IV	5	2012 → 2019	Normal	76	Fiat	Tipo	5	2016 →	Normal
57	Seat	Arosa (6H)	3	1997 → 2005	Normal	65	Renault	Megane III	5	2008 → 2015	Normal	76	Fiat	Tipo Berlina	4	2015 →	Normal
57	Toyota	Urban Cruiser	5	2009 → 2014	Normal	65	Renault	Megane IV	5	2016 →	Normal	77	Cupra	Leon (KL)	5	2020 →	Normal
57	Volkswagen	Lupo (6X)	3	1998 → 2005	Normal	65	Renault	Scenic III	5	2009 → 2016	Normal	77	Seat	Leon (KL)	5	2020 →	Normal
57	Volkswagen	Passat (B5)	4	1996 → 2005	Normal	65	Renault	Scenic III X-Mod	5	2009 → 2016	Normal	77	Volkswagen	Golf VIII	5	2020 →	Normal
58	Fiat	Panda II	5	2003 → 2012	Fix Point	65	Renault	Talisman	4	2016 → 2022	Normal	78	Audi	Q2 (GA)	5	2017 →	Normal
59	Audi	A4 (B6)	4	2000 → 2004	Normal	65	Renault	Twingo III	5	2014 →	Normal	79	Citroen	C3 III	5	2017 → 2024	Normal
59	Citroen	AX	5	1986 → 1998	Normal	65	Volkswagen	Jetta (1B)	4	2010 → 2018	Normal	79	Polestar	2	4	2020 →	Normal
59	Citroen	C1 II	5	2014 → 2021	Normal	65	Volvo	V40 II	5	2012 → 2019	Normal	79	Volvo	V60	5	2010 → 2018	Normal
59	Hyundai	i20 (PB)	5	2008 → 2014	Normal	66	Peugeot	208	3	2012 → 2019	Normal	80	Dacia	Sandero III	5	2021 →	Normal
59	Kia	Picanto (TA)	5	2011 → 2017	Normal	66	Seat	Leon (5F)	5	2013 → 2020	Normal	80	Ford	Focus IV	5	2018 →	Normal

Easy One EVO per codice - *** Portata limitata a 50Kg

KIT	Marca	Vettura	P	Anno	Tetto	KIT	Marca	Vettura	P	Anno	Tetto	KIT	Marca	Vettura	P	Anno	Tetto
80	Opel	Grandland	5	2025 →	Normal	86	Mitsubishi	L200 Double Cab (KJ)	4	2016 →	Fix Point	98	Toyota	Corolla (E210)	5	2019 →	Normal
80	Peugeot	3008 III	5	2024 →	Normal	86	Mitsubishi	L200 Single Cab (KJ)	2	2016 →	Fix Point	99	Mercedes	Classe A Sedan (V177)	4	2019 →	Fix Point
80	Renault	Arkana	5	2021 →	Normal	86	Mitsubishi	Triton Double Cab (KK-KL)	4	2016 → 2023	Fix Point	100	Toyota	Prius (XW20)	5	2003 → 2009	Normal
80	Skoda	Fabia (PJ3)	5	2022 →	Normal	86	Mitsubishi	Triton Single Cab (KK-KL)	2	2016 → 2023	Fix Point	100	Toyota	Rav4 (XA40)	5	2013 → 2018	Normal
81	Volkswagen	T-Roc (A11)	5	2017 → 2025	Normal	87	Seat	Ibiza (KJ1)	5	2017 →	Normal	101	Toyota	Yaris Cross	5	2020 →	Normal
82	Alfa Romeo	Giulia	4	2016 →	Normal	88	Renault	Clio III	5	2005 → 2012	Fix Point	102	Toyota	Hilux	4	2016 →	Normal
82	Citroen	C4 III	5	2021 →	Normal	89	Audi	A1 Sportback (GB)	5	2018 →	Normal	103	BYD	Dolphin	5	2023 →	Normal
82	Volvo	S40	4	2004 → 2012	Normal	89	Audi	A3 Sportback (8Y)	5	2020 →	Normal	103	BYD	Han	4	2020 →	Normal
83	Fiat	500 X ***	5	2015 → 2024	Normal	89	Volvo	C40	5	2022 →	Normal	103	DR	3	5	2018 →	Normal
84	Audi	A3 Sportback (8V)	5	2012 → 2020	Normal	90	Ford	Puma	5	2020 →	Normal	103	Lexus	ES (XZ10)	4	2018 →	Normal
84	Citroen	C3 IV	5	2024 →	Rails Int.	90	Kia	EV6	5	2022 →	Normal	103	Toyota	Prius (XW60)	5	2022 →	Normal
84	Citroen	C3 IV	5	2024 →	Normal	90	Kia	Niro (SG2)	5	2021 →	Normal	104	Citroen	C4 X	5	2023 →	Normal
84	Citroen	C3 IV Aircross	5	2025 →	Normal	90	Mazda	CX-30 (DM)	5	2020 →	Normal	104	Peugeot	308	5	2021 →	Normal
84	Cupra	Tavascan	5	2024 →	Normal	91	BMW	Serie 1 (F40)	5	2019 → 2025	Fix Point	104	Peugeot	408	5	2023 →	Normal
84	Ford	C-Max II	5	2010 → 2019	Normal	91	BMW	Serie 1 (F70)	5	2025 →	Fix Point	104	Peugeot	308 SW	5	2022 →	Normal
84	Mitsubishi	Colt	5	2023 →	Normal	91	BMW	Serie 3 (G20)	4	2019 →	Fix Point	105	Fiat	500	3	2025 →	Normal
84	Nissan	Qashqai (J11)	5	2014 → 2021	Normal	92	DS	3	5	2018 →	Normal	105	Fiat	500 e	3	2020 →	Normal
84	Opel	Frontera	5	2025 →	Normal	92	DS	3 Crossback	5	2018 →	Normal	107	Citroen	C5X	5	2022 →	Normal
84	Renault	Clio V	5	2019 →	Normal	92	Peugeot	2008	5	2020 →	Normal	108	Alfa Romeo	Giulietta	5	2010 → 2020	Normal
84	Renault	Clio VI	5	2026 →	Normal	93	Hyundai	i20 (BC3)	5	2021 →	Normal	110	DS	4	5	2021 →	Normal
84	Skoda	Scala	5	2019 →	Normal	94	Nissan	Micra (K14)	5	2017 → 2024	Normal	111	Nissan	X-Trail (T33)	5	2022 →	Fix Point
84	Toyota	Prius (XW50)	5	2015 → 2022	Normal	95	Volkswagen	Polo VI (AW)	5	2018 →	Normal	112	EVO	3	5	2022 →	Normal
84	Volkswagen	Passat (B8)	4	2015 → 2023	Normal	96	Mazda	CX-3 (DK)	5	2015 →	Normal	112	EVO	Electric	5	2022 →	Normal
85	Volvo	S60	4	2010 → 2018	Normal	96	Mazda	MX-30 (DR)	5	2021 →	Normal	113	Kia	Rio (YB)	5	2017 → 2023	Normal
86	Fiat	Fullback Double Cab	4	2016 → 2018	Fix Point	96	Seat	Ateca (KH)	5	2016 →	Normal	114	Fiat	Grande Panda	5	2025 →	Normal
86	Fiat	Fullback Single Cab	2	2016 → 2018	Fix Point	97	Mazda	2 (DL-DJ)	5	2015 → 2021	Normal						

Note:

TABELLA APPLICATIVA VEICOLI COMMERCIALI



ALTEZZA TETTO

H1: Altezza Standard (Tetto Basso)
H2: Altezza Media (Tetto Medio)
H3: Altezza Massima (Tetto Alto)



LUNGHEZZA VEICOLO

L1: Lunghezza Minore
L2: Lunghezza Media
L3: Lunghezza Massima

ACCESSORI FERMA CARICO 156.700

Fermacarico con chiusura a a morsetto, **Compatibile solo con barre in acciaio Pro 156.535, 156.550 e 156.570**

ACCESSORI FERMA CARICO PRO PLUS 164.071

Fermacarico con chiusura rapida a camma. **Compatibile solo con barre in alluminio Pro Plus 164.035, 156.550 e 156.570**

SPONDA LATERALE 164.077 (120Cm) - 164.078 (150Cm) - 164.080 (200Cm)

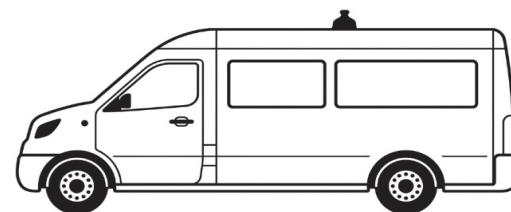
Sponda in alluminio applicabile su tutte le famiglie di barra, disponibile in 3 lunghezze. Necessario l'acquisto del kit di fissaggio per alle barre per l'installazione.

RULLO CARICA SCALE SCORREVOLE REGOLABILE - 164.072 (60Cm) - 164.073 (90Cm)

Rullo con sistema regolabile, compatibile su ogni famiglia di barra. Disponibile in due lunghezze

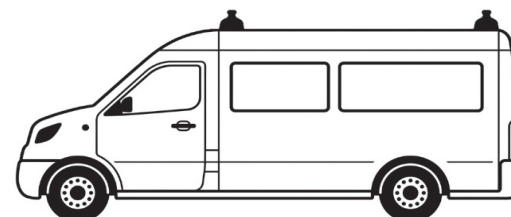
DEFLETTORE ARIA - 164.082 (60Cm) - 164.083 (90Cm)

Deflettore aria da installare sulla prima traversa, applicabile su ogni famiglia di barra. Disponibile in due lunghezze



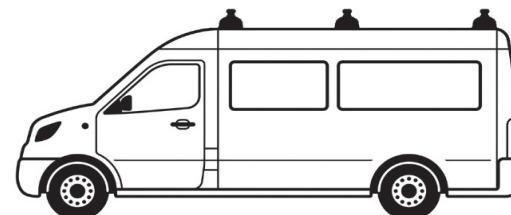
1 BARRA

Inutile acquistata singolarmente (equipaggia il punto centrale).
Occorre sempre acquistare un kit 2



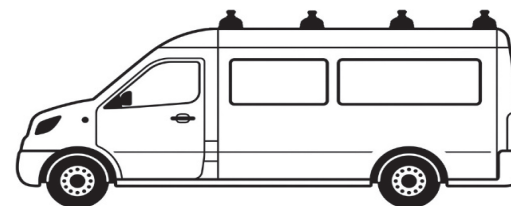
2 BARRE

Equipaggiano il primo e l'ultimo punto fisso del veicolo.



3 BARRE

Combinazione kit 1 barra + kit 2 barre.
Permettono l'equipaggiamento di 3 punti fissi del veicolo.



4 BARRE

Combinazione di N°2 kit 2 barre
Permettono l'equipaggiamento di 4 punti fissi del veicolo

PORTATA MASSIMA

La portata massima trasportabile dal sistema PRO PRO PLUS Greenvalley equivale a 50Kg per ogni barra installata.

Attenzione: controllare sempre il libretto del proprio veicolo e verificare la portata massima ammissibile dichiarata dal costruttore.

In caso di differenze tra portata massima dichiarata dal costruttore e dal sistema Greenvalley, tenere in considerazione la portata minore tra le due

NOTE IMPORTANTI

La lunghezza delle sponde consigliate e il rullo sono in base al layout previsto dall'ufficio tecnico per ogni kit, in caso di posizione differente, o non vincolante (nella casualità di più punti fissi sul tetto) verificare l'interasse delle barre montate prima di effettuare l'acquisto: 170Cm MAX di distanza tra interasse ultime due barre + sbalzo per il rullo.

Applicazioni Barre PRO / PRO PLUS				KIT			TRAVERSE						ACCESSORI								
							Cm 135		Cm 150		Cm 170		SPONDA LATERALE			KIT FISSAGGIO		RULLO		DEFLETTORE	
VEICOLO	H TETTO	L VEICOLO	ANNO	2 BARRE (4 Piedi)	3 BARRE (6 Piedi)	1 BARRA (2 Piedi)	Acc 156.535	All 164.035	Acc 156.550	All 164.050	Acc 156.570	All 164.070	120 Cm (164.077)	150 Cm (164.078)	200 Cm (164.080)	2 Fix (164.084)	3 Fix (164.085)	60 Cm (164.072)	90 Cm (164.073)	60 Cm (164.082)	90 Cm (164.083)
CITROEN																					
Berlingo	H1	L1+L2	2008 → 2018	1023	1023 + 1024	1024	•	•						•		•	•	▲		▲	▲
Berlingo	H1	4403 mm	2018 →	1031	1031 + 1032	1032	•	•							•	•	•	▲		▲	▲
Berlingo XL	H1	4753 mm	2018 →	1033	1033 + 1032	1032	•	•							•	•	•	•		•	•
Jumper	H1+H2	L1+L2+L3	1994 → 2006	156.757*	156.757 + 1010	1010					•	•			•	•	•	•	•	•	•
Jumper	H1+H2	L1+L2+L3	2006 →	156.753*	156.753 + 1004	1004					•	•			•	•	•	•	•	•	•
Jumpy	H1	L1	1994 → 2007	1011	1011 + 1012	1012	•	•							•	•	•	•		•	•
Jumpy	H1	L1+L2	2007 → 2016	156.752	156.752 + 1003	1003			•	•					•	•	•	•	•	•	•
Jumpy	H1	L1+L2+L3	2016 →	1029	1029 + 1030	1030			•	•					•	•	•	•	•	•	•
Nemo	H1	L1	2008 → 2017	1001	1001 + 1002	1002	•	•							•	•	•	▲		▲	▲
SpaceTourer	H1	L1+L2+L3	2016 →	1029	1029 + 1030	1030			•	•					•	•	•	•	•	•	•
DACIA																					
Dokker	H1	L1	2012 → 2021	156.766			•	•					•			•				•	
Logan Van	H1	L1	2007 → 2012	156.762			•	•					•			•				•	•
FIAT																					
Doblò I	H1	L1+L2	2001 → 2009	1013	1013 + 1014	1014	•	•							•	•	•	▲		▲	▲
Doblò II	H1	L1+L2	2010 → 2022	1017	1017 + 1018	1018	•	•							•	•	•	•		•	•
Doblò III	H1	4403 mm	2022 →	1031	1031 + 1032	1032	•	•							•	•	•	▲		▲	▲
Doblò III Maxi	H1	4753 mm	2022 →	1033	1033 + 1032	1032	•	•							•	•	•	•		•	•
Ducato	H1+H2	L1+L2+L3	1994 → 2006	156.757*	156.757 + 1010	1010					•	•			•	•	•	•	•	•	•
Ducato	H1+H2	L1+L2+L3	2006 →	156.753*	156.753 + 1004	1004					•	•			•	•	•	•	•	•	•
Fiorino - Qubo	H1	L1	2008 → 2024	1001	1001 + 1002	1002	•	•							•	•	•	▲		▲	▲
Scudo	H1	L1	1996 → 2007	1011	1011 + 1012	1012	•	•							•	•	•	•		•	•
Scudo	H1	L1+L2	2007 → 2016	156.752	156.752 + 1003	1003			•	•					•	•	•	•	•	•	•
Scudo	H1	L1+L2+L3	2022 →	1029	1029 + 1030	1030			•	•					•	•	•	•	•	•	•
Talento	H1	L1+L2	2016 → 2022	156.774	156.774 + 1028	1028					•	•			•	•	•	•	•	•	•
Ulysse	H1	L1+L2+L3	2022 →	1029	1029 + 1030	1030			•	•					•	•	•	•	•	•	•
FORD																					
Connect Tourneo	H1	L1	2002 → 2012	1043			•	•					•			•				•	•
Connect Tourneo	H1	L1+L2	2021 →	1015	1015 + 1034	1034	•	•							•	•	•	▲		▲	▲
Connect Transit	H1	L1	2002 → 2012	1043			•	•					•			•				•	•
Connect Transit	H1	L1+L2	2014 → 2021	1021	1021 + 1022	1022	•	•							•	•	•	•		•	•
Connect Transit	H1	L1+L2	2021 →	1015	1015 + 1034	1034	•	•							•	•	•	▲		▲	▲
Courier Tourneo	H1	L1+L2	2024 →	1038			•	•							•	•				•	•
Courier Transit	H1	L1+L2	2024 →	1038			•	•							•	•				•	•

I codici "2 barre" evidenziati con * in grassetto indicano la possibilità di equipaggiare 4 barre con l'acquisto di 2 unità del codice

Gli accessori indicati con ▲ indicano che **non è possibile montare Rullo e Deflettore contemporaneamente** (contattare l'ufficio tecnico per maggiori informazioni in caso di necessità)

Applicazioni Barre PRO / PRO PLUS					KIT			TRAVERSE						ACCESSORI								
								Cm 135		Cm 150		Cm 170		SPONDA LATERALE			KIT FISSAGGIO		RULLO		DEFLETTORE	
VEICOLO	H TETTO	L VEICOLO	ANNO		2 BARRE (4 Piedi)	3 BARRE (6 Piedi)	1 BARRA (2 Piedi)	Acc 156.535	All 164.035	Acc 156.550	All 164.050	Acc 156.570	All 164.070	120 Cm (164.077)	150 Cm (164.078)	200 Cm (164.080)	2 Fix (164.084)	3 Fix (164.085)	60 Cm (164.072)	90 Cm (164.073)	60 Cm (164.082)	90 Cm (164.083)
Custom Tourneo	H1	L1+L2	2012	→ 2024	1039	1039 + 1040	1040			•	•					•	•		•	•	•	•
Custom Tourneo	H1	L1+L2	2024	→	1039	1039 + 1040	1040			•	•					•	•		•	•	•	•
Custom Transit	H1	L1+L2	2012	→ 2024	1039	1039 + 1040	1040			•	•					•	•		•	•	•	•
Custom Transit	H1	L1+L2	2024	→	1039	1039 + 1040	1040			•	•					•	•		•	•	•	•
MERCEDES																						
Citan (W415)	H1	L1+L2	2012	→ 2021	1041			•	•							•	•				•	•
Citan (W415)	H1	L3	2014	→ 2021	1041	1041 + 1020	1020	•	•							•	•	•	•		•	•
Citan (W420)	H1	L1	2022	→	1037	1037 + 1036	1036	•	•							•	•	•	•		•	•
Viano (W639)	H1	L1+L2	2003	→ 2014	1008	1008 + 1009	1009			•	•					•	•	•	•	•	•	•
Vito (W639)	H1	L1+L2	2003	→ 2014	1008	1008 + 1009	1009			•	•					•	•	•	•	•	•	•
Vito (W477)	H1	L1+L2	2015	→	1008	1008 + 1009	1009			•	•					•	•	•	•	•	•	•
NISSAN																						
Interstar (X62B)	H1	L1	2021	→	156.763*	156.763 + 1019	1019			•	•					•	•		•	•	•	•
Interstar (X70)	H1+H2	L1+L2	2002	→ 2011	156.755*	156.755 + 1007	1007					•	•			•	•		•	•	•	•
Kubistar	H1	L1	2003	→ 2009	156.765			•	•						•				▲		▲	
NV 200 (M20)	H1	L1	2009	→ 2021	1025	1025 + 1026	1026	•	•							•	•	•	▲		▲	▲
NV 300	H1	L1+L2	2014	→ 2020	156.774	156.774 + 1028	1028					•	•			•	•	•	•	•	•	•
NV 400	H1	L1	2011	→ 2021	156.763*	156.763 + 1019	1019			•	•					•	•		•	•	•	•
NV 250 (L1)	H1	L1	2010	→ 2021	1041			•	•							•	•				•	•
NV 250 (L2)	H1	L2	2010	→ 2021	1041	1041 + 1020	1020	•	•							•	•	•	•		•	•
Primastar	H1	L1+L2	2002	→ 2014	1005	1005 + 1006	1006					•	•			•	•		•	•	•	•
Primastar	H1	L1+L2	2021	→	156.774	156.774 + 1028	1028					•	•			•	•	•	•	•	•	•
Townstar	H1	L1	2022	→	1037	1037 + 1036	1036	•	•							•	•	•	•		•	•
OPEL																						
Combo D	H1	L1+L2	2012	→ 2018	1017	1017 + 1018	1018	•	•							•	•	•	•		•	•
Combo E	H1	4403 mm	2018	→	1031	1031 + 1032	1032	•	•							•	•	•	▲		▲	▲
Combo E XL	H1	4753 mm	2018	→	1033	1033 + 1032	1032	•	•							•	•	•	•		•	•
Movano A	H1+H2	L1+L2+L3	1998	→ 2010	156.755*	156.755 + 1007	1007					•	•			•	•		•	•	•	•
Movano B	H1+H2	L1+L2+L3	2010	→ 2021	156.763*	156.763 + 1019	1019			•	•					•	•		•	•	•	•
Movano C	H1+H2	L1+L2+L3	2021	→	156.753*	156.753 + 1004	1004					•	•			•	•		•	•	•	•
Vivaro A	H1	L1+L2	2001	→ 2014	1005	1005 + 1006	1006					•	•			•	•		•	•	•	•
Vivaro B	H1	L1+L2	2014	→ 2019	156.774	156.774 + 1028	1028					•	•			•	•	•	•	•	•	•
Vivaro C	H1	L1+L2	2019	→	1029	1029 + 1030	1030			•	•					•	•	•	•	•	•	•

I codici "2 barre" evidenziati con * **in grassetto** indicano la possibilità di equipaggiare 4 barre con l'acquisto di 2 unità del codice

Gli accessori indicati con ▲ indicano che **non è possibile montare Rullo e Deflettore contemporaneamente** (contattare l'ufficio tecnico per maggiori informazioni in caso di necessità)

Applicazioni Barre PRO / PRO PLUS				KIT			TRAVERSE						ACCESSORI								
							Cm 135		Cm 150		Cm 170		SPONDA LATERALE			KIT FISSAGGIO		RULLO		DEFLETTORE	
VEICOLO	H TETTO	L VEICOLO	ANNO	2 BARRE (4 Piedi)	3 BARRE (6 Piedi)	1 BARRA (2 Piedi)	Acc 156.535	All 164.035	Acc 156.550	All 164.050	Acc 156.570	All 164.070	120 Cm (164.077)	150 Cm (164.078)	200 Cm (164.080)	2 Fix (164.084)	3 Fix (164.085)	60 Cm (164.072)	90 Cm (164.073)	60 Cm (164.082)	90 Cm (164.083)
PEUGEOT																					
Bipper	H1	L1	2008 → 2016	1001	1001 + 1002	1002	•	•							•	•	•	▲		▲	▲
Boxer	H1+H2	L1+L2+L3	1994 → 2006	156.757*	156.757 + 1010	1010					•	•			•	•		•	•	•	•
Boxer	H1+H2	L1+L2+L3	2006 →	156.753*	156.753 + 1004	1004					•	•			•	•		•	•	•	•
Expert	H1	L1	1995 → 2006	1011	1011 + 1012	1012	•	•							•	•	•	•		•	•
Expert	H1	L1+L2	2007 → 2016	156.752	156.752 + 1003	1003			•	•					•	•	•	•	•	•	•
Expert	H1	L1+L2+L3	2016 →	1029	1029 + 1030	1030			•	•					•	•	•	•	•	•	•
Partner	H1	L1+L2	2008 → 2018	1023	1023 + 1024	1024	•	•						•		•	•	▲		▲	▲
Partner	H1	4403 mm	2018 →	1031	1031 + 1032	1032	•	•							•	•	•	▲		▲	▲
Partner (L2)	H1	4753 mm	2018 →	1033	1033 + 1032	1032	•	•							•	•	•	•		•	•
Traveller	H1	L1+L2+L3	2016 →	1029	1029 + 1030	1030			•	•					•	•	•	•	•	•	•
RENAULT																					
Express	H1	L1	2020 →	1035	1035 + 1036	1036	•	•							•	•	•	•		•	•
Kangoo I	H1	L1	1998 → 2007	156.765			•	•						•		•		▲		▲	
Kangoo II	H1	L1+L2+L3	2008 → 2021	1041			•	•							•	•				•	•
Kangoo II Maxi	H1	L3	2010 → 2020	1041	1041 + 1020	1020	•	•							•	•	•	•		•	•
Kangoo III	H1	L1	2022 →	1037	1037 + 1036	1036	•	•							•	•	•	•		•	•
Master	H1+H2	L1+L2+L3	1998 → 2010	156.755*	156.755 + 1007	1007					•	•			•	•		•	•	•	•
Master II	H1+H2	L1+L2+L3	2010 →	156.763*	156.763 + 1019	1019			•	•					•	•		•	•	•	•
Trafic	H1	L1+L2	2001 → 2014	1005	1005 + 1006	1006					•	•			•	•		•	•	•	•
Trafic	H1	L1+L2	2014 →	156.774	156.774 + 1028	1028					•	•			•	•	•	•	•	•	•
TOYOTA																					
Proace / Proace Verso	H1	L1+L2+L3	2016 →	1029	1029 + 1030	1030			•	•					•	•	•	•	•	•	•
Proace City / City Verso	H1	4403 mm	2020 →	1031	1031 + 1032	1032	•	•							•	•	•	▲		▲	▲
Proace City / City Verso (L2)	H1	4753 mm	2020 →	1033	1033 + 1032	1032	•	•							•	•	•	•		•	•
Proace Max	H1+H2	L1+L2+L3	2024 →	156.753*	156.753 + 1004	1004					•	•			•	•		•	•	•	•
VOLKSWAGEN																					
Caddy	H1	L1+L2	2003 → 2020	1013			•	•					•			•				•	
Caddy	H1	L1	2021 →	1015	1015 + 1034	1034	•	•							•	•	•	▲		▲	▲
Caddy Maxi	H1	L2	2003 → 2020	1013	1013 + 1016	1016	•	•					•			•	•	▲		▲	
Caddy Maxi	H1	L1	2021 →	1015	1015 + 1034	1034	•	•							•	•	•	•		•	•
Transporter T5	H1	L1+L2	2003 → 2015	1042	1042 + 1027	1027			•	•					•	•		•	•	•	•
Transporter T6	H1	L1+L2	2015 → 2024	1042	1042 + 1027	1027			•	•					•	•		•	•	•	•
Transporter T7	H1	L1+L2	2024 →	1039	1039 + 1040	1040			•	•					•	•		•	•	•	•

I codici "2 barre" evidenziati con * in grassetto indicano la possibilità di equipaggiare 4 barre con l'acquisto di 2 unità del codice

Gli accessori indicati con ▲ indicano che **non è possibile montare Rullo e Deflettore contemporaneamente** (contattare l'ufficio tecnico per maggiori informazioni in caso di necessità)

Tabella Applicazione Kit PRO per codice

KIT	N°Barre	MARCA	VEICOLO	ALTEZZA TETTO	LUNGHEZZA VEICOLO	ANNO		Cm 135		Cm 150		Cm 170		
								Acc	Alu	Acc	Alu	Acc	Alu	
								156.535	164.035	156.550	164.050	156.570	164.070	
1001	x2	Citroen	Nemo	H1	L1	2008	→	2017	•	•				
1001	x2	Fiat	Fiorino - Qubo	H1	L1	2008	→	2024	•	•				
1001	x2	Peugeot	Bipper	H1	L1	2008	→	2016	•	•				
1002	x1	Citroen	Nemo	H1	L1	2008	→	2017	•	•				
1002	x1	Fiat	Fiorino - Qubo	H1	L1	2008	→	2024	•	•				
1002	x1	Peugeot	Bipper	H1	L1	2008	→	2016	•	•				
1003	x1	Citroen	Jumpy	H1	L1+L2	2007	→	2016			•	•		
1003	x1	Fiat	Scudo	H1	L1+L2	2007	→	2016			•	•		
1003	x1	Peugeot	Expert	H1	L1+L2	2007	→	2016			•	•		
1004	x1	Citroen	Jumper	H1+H2	L1+L2+L3	2006	→						•	•
1004	x1	Fiat	Ducato	H1+H2	L1+L2+L3	2006	→						•	•
1004	x1	Opel	Movano C	H1+H2	L1+L2+L3	2021	→						•	•
1004	x1	Peugeot	Boxer	H1+H2	L1+L2+L3	2006	→						•	•
1004	x1	Toyota	Proace Max	H1+H2	L1+L2+L3	2024	→						•	•
1005	x2	Nissan	Primastar	H1	L1+L2	2002	→	2014					•	•
1005	x2	Opel	Vivaro A	H1	L1+L2	2001	→	2014					•	•
1005	x2	Renault	Trafic	H1	L1+L2	2001	→	2014					•	•
1006	x1	Nissan	Primastar	H1	L1+L2	2002	→	2014					•	•
1006	x1	Opel	Vivaro A	H1	L1+L2	2001	→	2014					•	•
1006	x1	Renault	Trafic	H1	L1+L2	2001	→	2014					•	•
1007	x1	Nissan	Interstar (X70)	H1+H2	L1+L2	2002	→	2011					•	•
1007	x1	Opel	Movano A	H1+H2	L1+L2+L3	1998	→	2010					•	•
1007	x1	Renault	Master	H1+H2	L1+L2+L3	1998	→	2010					•	•
1009	x1	Mercedes	Viano (W639)	H1	L1+L2	2003	→	2014			•	•		
1009	x1	Mercedes	Vito (W639)	H1	L1+L2	2003	→	2014			•	•		
1009	x1	Mercedes	Vito (W477)	H1	L1+L2	2015	→				•	•		
1010	x1	Citroen	Jumper	H1+H2	L1+L2+L3	1994	→	2006					•	•
1010	x1	Fiat	Ducato	H1+H2	L1+L2+L3	1994	→	2006					•	•
1010	x1	Peugeot	Boxer	H1+H2	L1+L2+L3	1994	→	2006					•	•
1011	x2	Citroen	Jumpy	H1	L1	1994	→	2007	•	•				
1011	x2	Fiat	Scudo	H1	L1	1996	→	2007	•	•				
1011	x2	Peugeot	Expert	H1	L1	1995	→	2006	•	•				
1012	x1	Citroen	Jumpy	H1	L1	1994	→	2007	•	•				
1012	x1	Fiat	Scudo	H1	L1	1996	→	2007	•	•				
1012	x1	Peugeot	Expert	H1	L1	1995	→	2006	•	•				

KIT	N°Barre	MARCA	VEICOLO	ALTEZZA TETTO	LUNGHEZZA VEICOLO	ANNO		Cm 135		Cm 150		Cm 170		
								Acc	Alu	Acc	Alu	Acc	Alu	
								156.535	164.035	156.550	164.050	156.570	164.070	
1013	x2	Fiat	Doblò I	H1	L1+L2	2001	→	2009	•	•				
1013	x2	Volkswagen	Caddy	H1	L1+L2	2003	→	2020	•	•				
1013	x2	Volkswagen	Caddy Maxi	H1	L2	2003	→	2020	•	•				
1014	x1	Fiat	Doblò I	H1	L1+L2	2001	→	2009	•	•				
1015	x2	Ford	Connect Tourneo	H1	L1+L2	2021	→		•	•				
1015	x2	Ford	Connect Transit	H1	L1+L2	2021	→		•	•				
1015	x2	Volkswagen	Caddy	H1	L1	2021	→		•	•				
1015	x2	Volkswagen	Caddy Maxi	H1	L1	2021	→		•	•				
1016	x1	Volkswagen	Caddy Maxi	H1	L2	2003	→	2020	•	•				
1017	x2	Fiat	Doblò II	H1	L1+L2	2010	→	2022	•	•				
1017	x2	Opel	Combo D	H1	L1+L2	2012	→	2018	•	•				
1018	x1	Fiat	Doblò II	H1	L1+L2	2010	→	2022	•	•				
1018	x1	Opel	Combo D	H1	L1+L2	2012	→	2018	•	•				
1019	x1	Nissan	Interstar (X62B)	H1	L1	2021	→				•	•		
1019	x1	Nissan	NV 400	H1	L1	2011	→	2021			•	•		
1019	x1	Opel	Movano B	H1+H2	L1+L2+L3	2010	→	2021			•	•		
1019	x1	Renault	Master II	H1+H2	L1+L2+L3	2010	→				•	•		
1020	x1	Mercedes	Citan (W415)	H1	L3	2014	→	2021	•	•				
1020	x1	Nissan	NV 250 (L2)	H1	L2	2010	→	2021	•	•				
1020	x1	Renault	Kangoo II Maxi	H1	L3	2010	→	2020	•	•				
1021	x2	Ford	Connect Transit	H1	L1+L2	2014	→	2021	•	•				
1022	x1	Ford	Connect Transit	H1	L1+L2	2014	→	2021	•	•				
1023	x2	Peugeot	Partner	H1	L1+L2	2008	→	2018	•	•				
1024	x1	Citroen	Berlingo	H1	L1+L2	2008	→	2018	•	•				
1024	x1	Peugeot	Partner	H1	L1+L2	2008	→	2018	•	•				
1025	x2	Nissan	NV 200 (M20)	H1	L1	2009	→	2021	•	•				
1026	x1	Nissan	NV 200 (M20)	H1	L1	2009	→	2021	•	•				
1027	x1	Volkswagen	Transporter T5	H1	L1+L2	2003	→	2015			•	•		
1027	x1	Volkswagen	Transporter T6	H1	L1+L2	2015	→	2024			•	•		
1028	x1	Fiat	Talento	H1	L1+L2	2016	→	2022					•	•
1028	x1	Nissan	NV 300	H1	L1+L2	2014	→	2020					•	•
1028	x1	Nissan	Primastar	H1	L1+L2	2021	→						•	•
1028	x1	Opel	Vivaro B	H1	L1+L2	2014	→	2019					•	•
1028	x1	Renault	Trafic	H1	L1+L2	2014	→						•	•
1029	x2	Citroen	Jumpy	H1	L1+L2+L3	2016	→				•	•		
1029	x2	Citroen	SpaceTourer	H1	L1+L2+L3	2016	→				•	•		
1029	x2	Fiat	Scudo	H1	L1+L2+L3	2022	→				•	•		

Kit PRO per codice

KIT	N°Barre	MARCA	VEICOLO	ALTEZZA TETTO	LUNGHEZZA VEICOLO	ANNO		Cm 135		Cm 150		Cm 170	
								Acc	Alu	Acc	Alu	Acc	Alu
								156.535	164.035	156.550	164.050	156.570	164.070
1029	x2	Fiat	Ulysse	H1	L1+L2+L3	2022	→			•	•		
1029	x2	Opel	Vivaro C	H1	L1+L2	2019	→			•	•		
1029	x2	Peugeot	Expert	H1	L1+L2+L3	2016	→			•	•		
1029	x2	Peugeot	Traveller	H1	L1+L2+L3	2016	→			•	•		
1029	x2	Toyota	Proace / Proace Verso	H1	L1+L2+L3	2016	→			•	•		
1030	x1	Citroen	Jumpy	H1	L1+L2+L3	2016	→			•	•		
1030	x1	Citroen	SpaceTourer	H1	L1+L2+L3	2016	→			•	•		
1030	x1	Fiat	Scudo	H1	L1+L2+L3	2022	→			•	•		
1030	x1	Fiat	Ulysse	H1	L1+L2+L3	2022	→			•	•		
1030	x1	Opel	Vivaro C	H1	L1+L2	2019	→			•	•		
1030	x1	Peugeot	Expert	H1	L1+L2+L3	2016	→			•	•		
1030	x1	Peugeot	Traveller	H1	L1+L2+L3	2016	→			•	•		
1030	x1	Toyota	Proace / Proace Verso	H1	L1+L2+L3	2016	→			•	•		
1031	x2	Fiat	Doblò III	H1	4403 mm	2022	→	•	•				
1031	x2	Opel	Combo E	H1	4403 mm	2018	→	•	•				
1031	x2	Peugeot	Partner	H1	4403 mm	2018	→	•	•				
1031	x2	Toyota	Proace City / City Verso	H1	4403 mm	2020	→	•	•				
1032	x1	Citroen	Berlingo	H1	4403 mm	2018	→	•	•				
1032	x1	Citroen	Berlingo XL	H1	4753 mm	2018	→	•	•				
1032	x1	Fiat	Doblò III	H1	4403 mm	2022	→	•	•				
1032	x1	Fiat	Doblò III Maxi	H1	4753 mm	2022	→	•	•				
1032	x1	Opel	Combo E	H1	4403 mm	2018	→	•	•				
1032	x1	Opel	Combo E XL	H1	4753 mm	2018	→	•	•				
1032	x1	Peugeot	Partner	H1	4403 mm	2018	→	•	•				
1032	x1	Peugeot	Partner (L2)	H1	4753 mm	2018	→	•	•				
1032	x1	Toyota	Proace City / City Verso	H1	4403 mm	2020	→	•	•				
1032	x1	Toyota	Proace City / City Verso (L2)	H1	4753 mm	2020	→	•	•				
1033	x2	Fiat	Doblò III Maxi	H1	4753 mm	2022	→	•	•				
1033	x2	Opel	Combo E XL	H1	4753 mm	2018	→	•	•				
1033	x2	Peugeot	Partner (L2)	H1	4753 mm	2018	→	•	•				
1033	x2	Toyota	Proace City / City Verso (L2)	H1	4753 mm	2020	→	•	•				
1034	x1	Ford	Connect Tourneo	H1	L1+L2	2021	→	•	•				
1034	x1	Ford	Connect Transit	H1	L1+L2	2021	→	•	•				
1034	x1	Volkswagen	Caddy	H1	L1	2021	→	•	•				
1034	x1	Volkswagen	Caddy Maxi	H1	L1	2021	→	•	•				
1035	x2	Renault	Express	H1	L1	2020	→	•	•				

KIT	N°Barre	MARCA	VEICOLO	ALTEZZA TETTO	LUNGHEZZA VEICOLO	ANNO		Cm 135		Cm 150		Cm 170	
								Acc	Alu	Acc	Alu	Acc	Alu
								156.535	164.035	156.550	164.050	156.570	164.070
1036	x1	Mercedes	Citan (W420)	H1	L1	2022	→	•	•				
1036	x1	Nissan	Townstar	H1	L1	2022	→	•	•				
1036	x1	Renault	Express	H1	L1	2020	→	•	•				
1036	x1	Renault	Kangoo III	H1	L1	2022	→	•	•				
1037	x2	Nissan	Townstar	H1	L1	2022	→	•	•				
1037	x2	Renault	Kangoo III	H1	L1	2022	→	•	•				
1038	x2	Ford	Courier Tourneo	H1	L1+L2	2024	→	•	•				
1038	x2	Ford	Courier Transit	H1	L1+L2	2024	→	•	•				
1039	x2	Ford	Custom Tourneo	H1	L1+L2	2012	→ 2024			•	•		
1039	x2	Ford	Custom Tourneo	H1	L1+L2	2024	→			•	•		
1039	x2	Ford	Custom Transit	H1	L1+L2	2012	→ 2024			•	•		
1039	x2	Ford	Custom Transit	H1	L1+L2	2024	→			•	•		
1039	x2	Volkswagen	Transporter T7	H1	L1+L2	2024	→			•	•		
1040	x1	Ford	Custom Tourneo	H1	L1+L2	2012	→ 2024			•	•		
1040	x1	Ford	Custom Tourneo	H1	L1+L2	2024	→			•	•		
1040	x1	Ford	Custom Transit	H1	L1+L2	2012	→ 2024			•	•		
1040	x1	Ford	Custom Transit	H1	L1+L2	2024	→			•	•		
1040	x1	Volkswagen	Transporter T7	H1	L1+L2	2024	→			•	•		
1041	x2	Mercedes	Citan (W415)	H1	L1+L2	2012	→ 2021	•	•				
1041	x2	Nissan	NV 250 (L1)	H1	L1	2010	→ 2021	•	•				
1041	x2	Nissan	NV 250 (L2)	H1	L2	2010	→ 2021	•	•				
1041	x2	Renault	Kangoo II	H1	L1+L2+L3	2008	→ 2021	•	•				
1041	x2	Renault	Kangoo II Maxi	H1	L3	2010	→ 2020	•	•				
1042	x2	Volkswagen	Transporter T5	H1	L1+L2	2003	→ 2015			•	•		
1042	x2	Volkswagen	Transporter T6	H1	L1+L2	2015	→ 2024			•	•		
1043	x2	Ford	Connect Tourneo	H1	L1	2002	→ 2012	•	•				
1043	x2	Ford	Connect Transit	H1	L1	2002	→ 2012	•	•				
1008	x2	Mercedes	Viano (W639)	H1	L1+L2	2003	→ 2014			•	•		
1008	x2	Mercedes	Vito (W639)	H1	L1+L2	2003	→ 2014			•	•		
1008	x2	Mercedes	Vito (W477)	H1	L1+L2	2015	→			•	•		
1023	x2	Citroen	Berlingo	H1	L1+L2	2008	→ 2018	•	•				
1031	x2	Citroen	Berlingo	H1	4403 mm	2018	→	•	•				
1033	x2	Citroen	Berlingo XL	H1	4753 mm	2018	→	•	•				
1037	x2	Mercedes	Citan (W420)	H1	L1	2022	→	•	•				
1041	x2	Mercedes	Citan (W415)	H1	L3	2014	→ 2021	•	•				

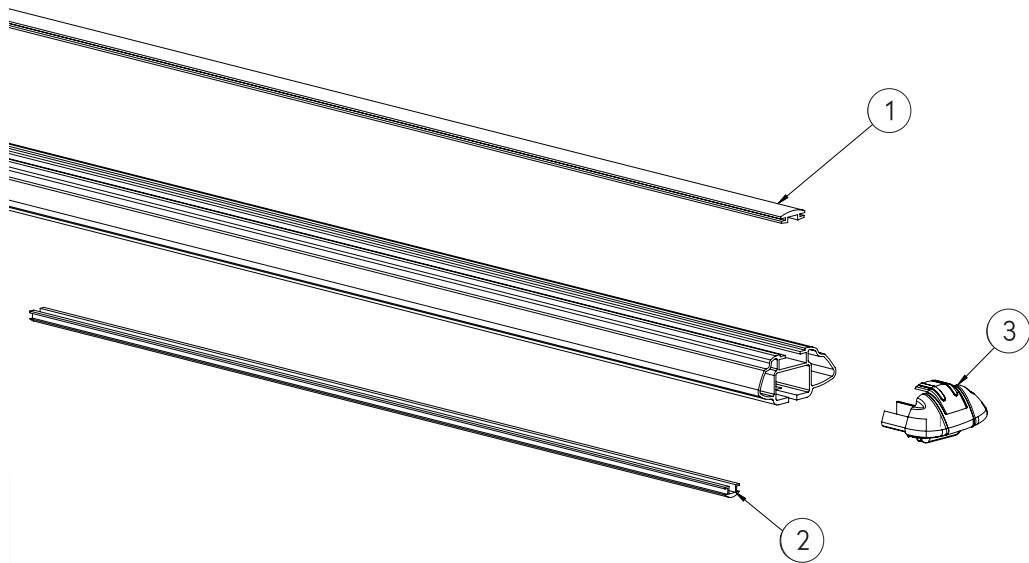
KIT	N°Barre	MARCA	VEICOLO	ALTEZZA TETTO	LUNGHEZZA VEICOLO	ANNO		Cm 135		Cm 150		Cm 170		
								Acc	Alu	Acc	Alu	Acc	Alu	
								156.535	164.035	156.550	164.050	156.570	164.070	
156.752	x2	Citroen	Jumpy	H1	L1+L2	2007	→	2016			•	•		
156.752	x2	Fiat	Scudo	H1	L1+L2	2007	→	2016			•	•		
156.752	x2	Peugeot	Expert	H1	L1+L2	2007	→	2016			•	•		
156.753	x2	Citroen	Jumper	H1+H2	L1+L2+L3	2006	→						•	•
156.753	x2	Fiat	Ducato	H1+H2	L1+L2+L3	2006	→						•	•
156.753	x2	Opel	Movano C	H1+H2	L1+L2+L3	2021	→						•	•
156.753	x2	Peugeot	Boxer	H1+H2	L1+L2+L3	2006	→						•	•
156.753	x2	Toyota	Proace Max	H1+H2	L1+L2+L3	2024	→						•	•
156.755	x2	Nissan	Interstar (X70)	H1+H2	L1+L2	2002	→	2011					•	•
156.755	x2	Opel	Movano A	H1+H2	L1+L2+L3	1998	→	2010					•	•
156.755	x2	Renault	Master	H1+H2	L1+L2+L3	1998	→	2010					•	•
156.757	x2	Citroen	Jumper	H1+H2	L1+L2+L3	1994	→	2006					•	•
156.757	x2	Fiat	Ducato	H1+H2	L1+L2+L3	1994	→	2006					•	•
156.757	x2	Peugeot	Boxer	H1+H2	L1+L2+L3	1994	→	2006					•	•
156.762	x2	Dacia	Logan Van	H1	L1	2007	→	2012	•	•				
156.763	x2	Nissan	Interstar (X62B)	H1	L1	2021	→				•	•		
156.763	x2	Nissan	NV 400	H1	L1	2011	→	2021			•	•		
156.763	x2	Opel	Movano B	H1+H2	L1+L2+L3	2010	→	2021			•	•		
156.763	x2	Renault	Master II	H1+H2	L1+L2+L3	2010	→				•	•		
156.765	x2	Nissan	Kubistar	H1	L1	2003	→	2009	•	•				
156.765	x2	Renault	Kangoo I	H1	L1	1998	→	2007	•	•				
156.766	x2	Dacia	Dokker	H1	L1	2012	→	2021	•	•				
156.774	x2	Fiat	Talento	H1	L1+L2	2016	→	2022					•	•
156.774	x2	Nissan	NV 300	H1	L1+L2	2014	→	2020					•	•
156.774	x2	Nissan	Primastar	H1	L1+L2	2021	→						•	•
156.774	x2	Opel	Vivaro B	H1	L1+L2	2014	→	2019					•	•
156.774	x2	Renault	Trafic	H1	L1+L2	2014	→						•	•

TABELLA COMPARATIVA KIT PRO VECCHIO - NUOVO

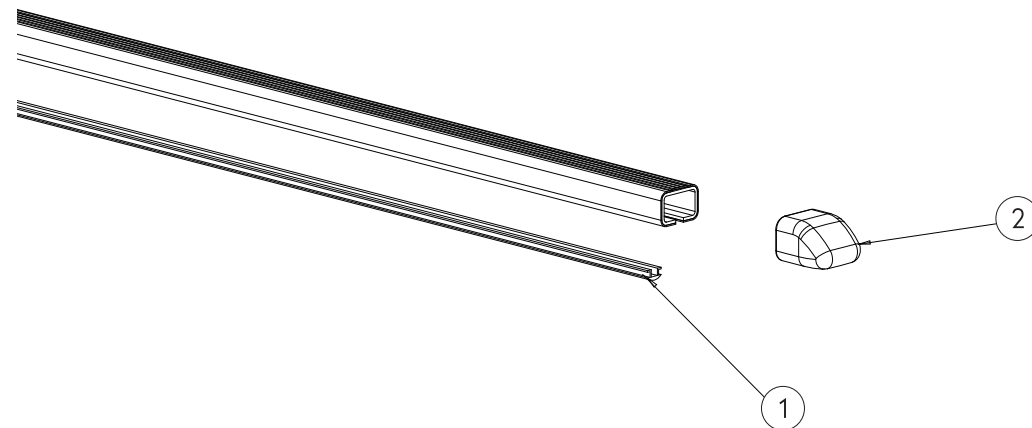
VECCHIO KIT	NUOVO KIT
<i>KIT PRO 4 piedi</i>	<i>4 piedi (2 barre)</i>
156.751	1001
156.752	156.752
156.753	156.753
156.754	1005
156.755	156.755
156.756	1008
156.757	156.757
156.758	1011
156.759	1013
156.760	1013
156.761	1017
156.762	156.762
156.763	156.763
156.764	1041
156.765	156.765
156.766	156.766
156.767	1021
156.768	1023
156.769	1043
156.770	1025
156.771	1042
156.774	156.774
156.775	1029
156.776	1031
156.781	1035
156.782	1037
156.784	1039

VECCHIO KIT	NUOVO KIT		
<i>KIT PRO 6 piedi</i>	<i>4 piedi (2 barre)</i>	<i>+</i>	<i>2 piedi (1 barra)</i>
156.701	1001	+	1002
156.702	156.752	+	1003
156.703	156.753	+	1004
156.704	1005	+	1006
156.705	156.755	+	1007
156.706	1008	+	1009
156.707	156.757	+	1010
156.708	1011	+	1012
156.709	1013	+	1014
156.710	1013	+	1016
156.711	1017	+	1018
156.713	156.763	+	1019
156.714	1041	+	1020
156.717	1021	+	1022
156.718	1023	+	1024
156.720	1025	+	1026
156.721	1042	+	1027
156.724	156.774	+	1028
156.725	1029	+	1030
156.726	1031	+	1032
156.727	1033	+	1032
156.731	1035	+	1036
156.732	1037	+	1036
156.734	1039	+	1040

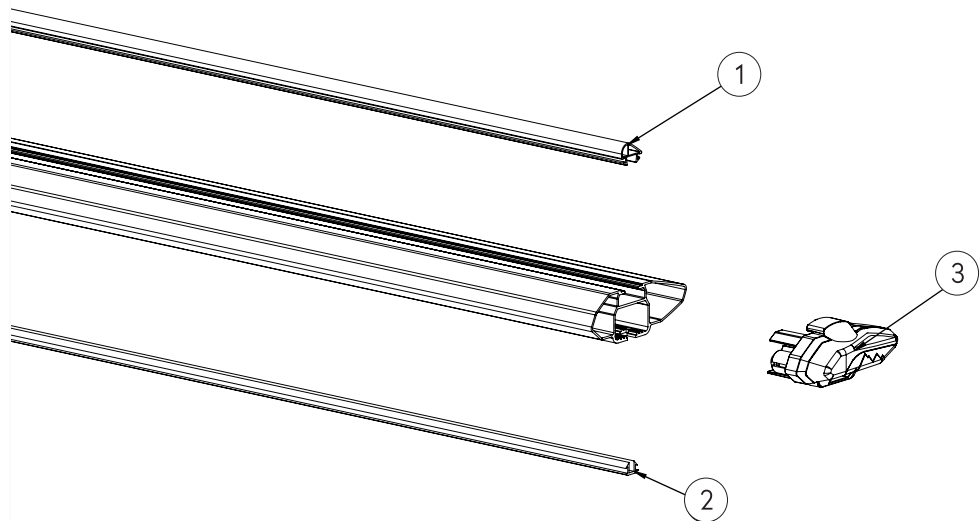
01 ■ TRAVERSA ALLUMINIO ASIMMETRICA



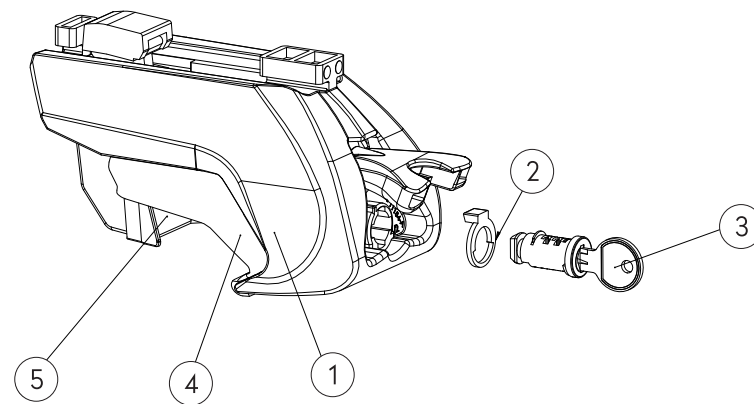
02 ■ TRAVERSA ACCIAIO



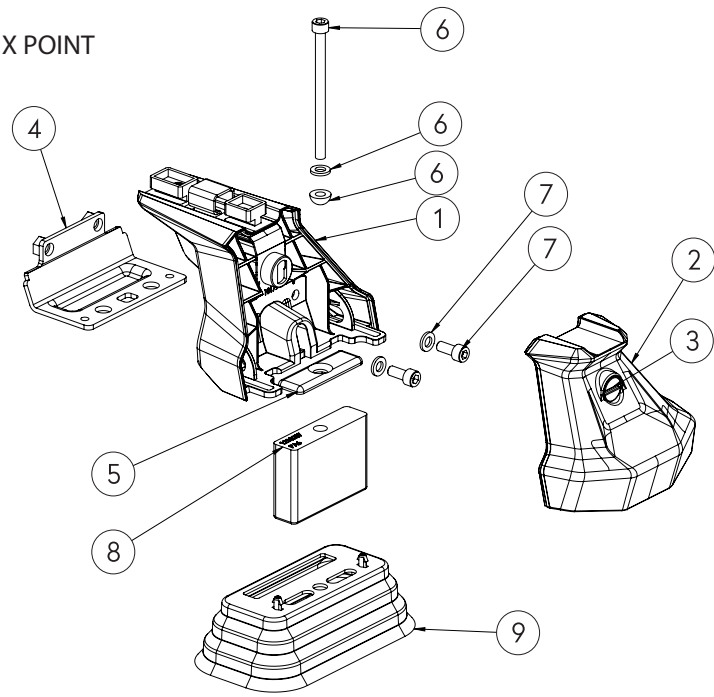
03 ■ TRAVERSA VENTO - VENTO BLACK



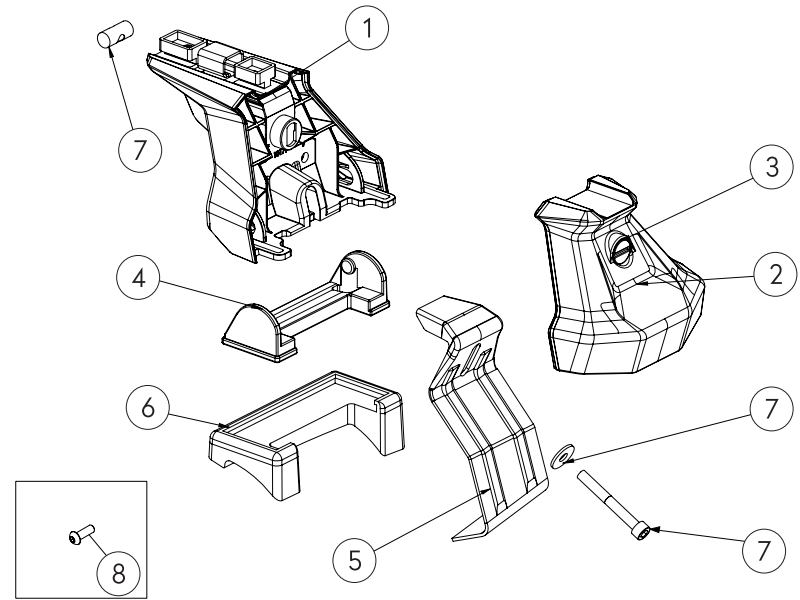
04 ■ TREK



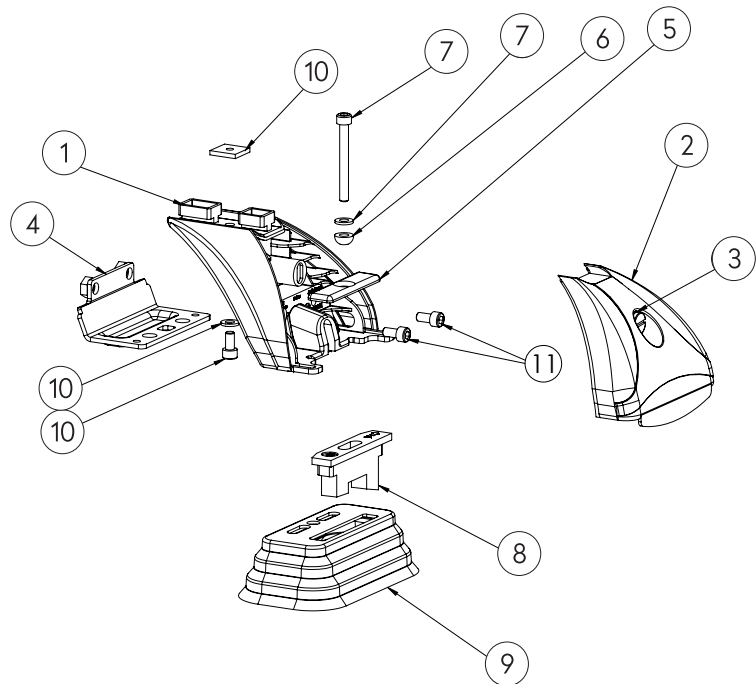
05 ■ RAPIDO FIX POINT



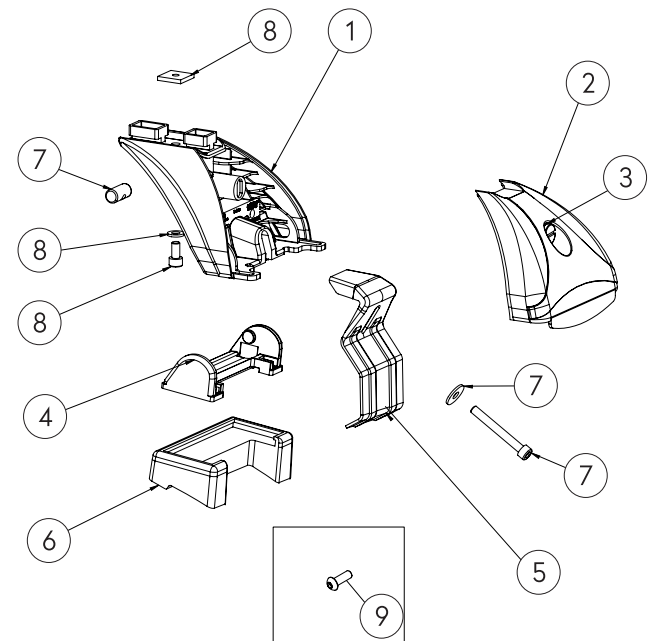
06 ■ RAPIDO APPOGGIO



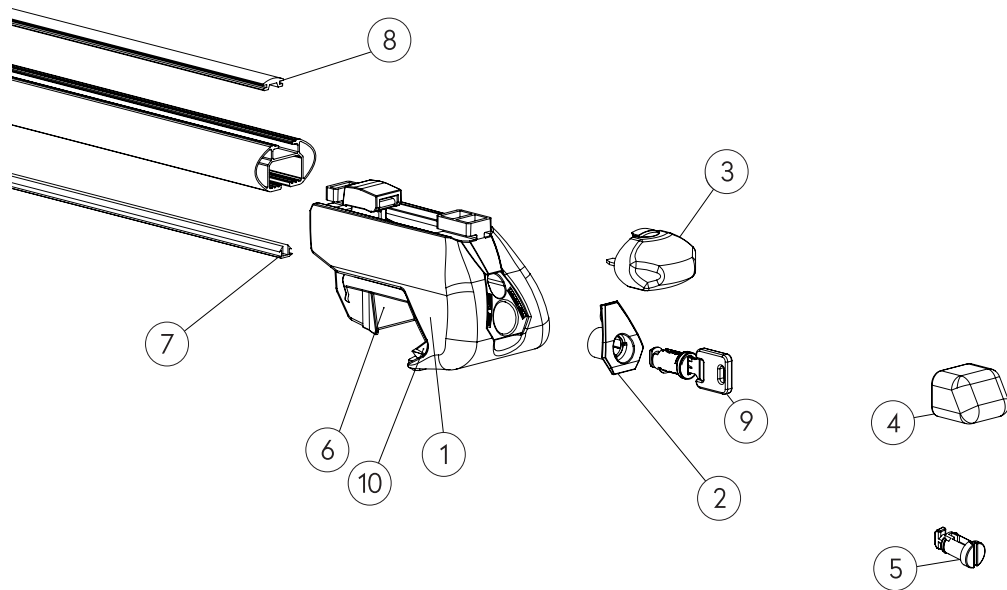
07 ■ ORIGINAL FIX POINT



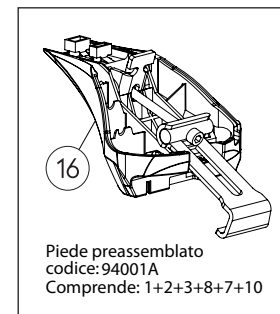
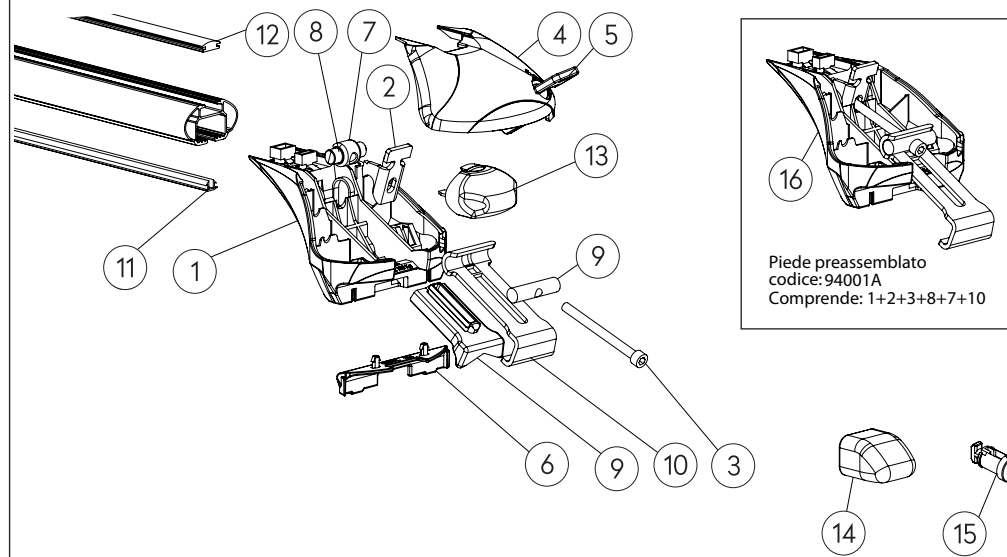
08 ■ ORIGINAL APPOGGIO



09 ■ EASYONE SW - PIEDE UNO

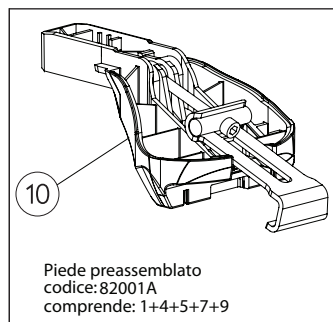
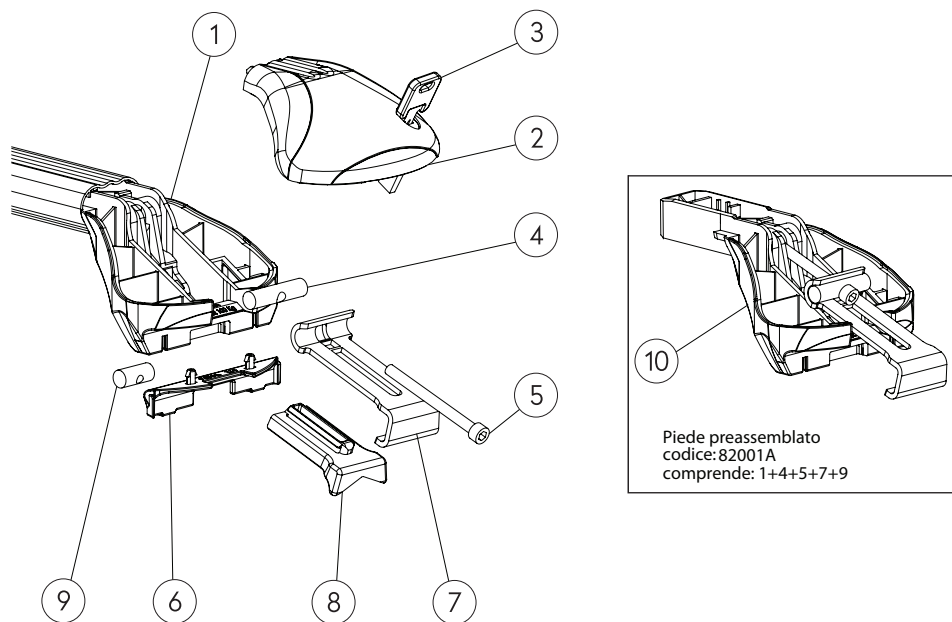


10 ■ EASY ONE QUICK - PIEDE QUICK



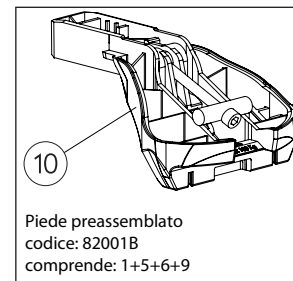
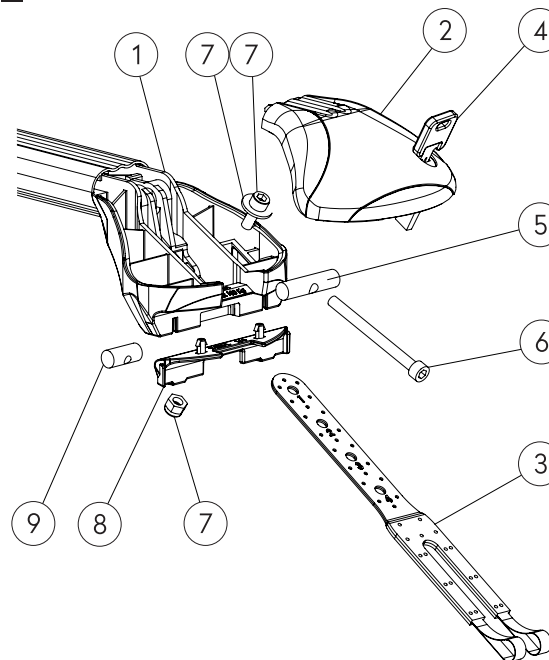
Piede preassemblato
codice: 94001A
Comprende: 1+2+3+8+7+10

11 ■ FREELINE



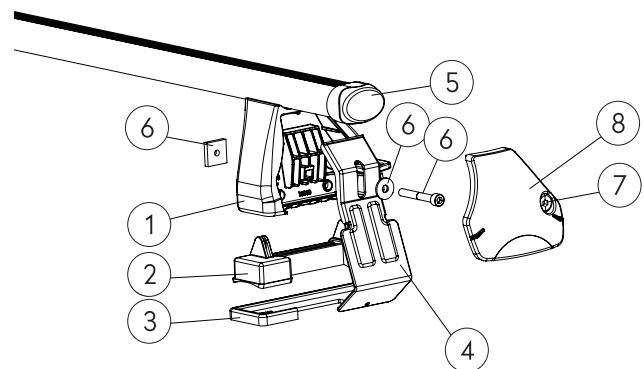
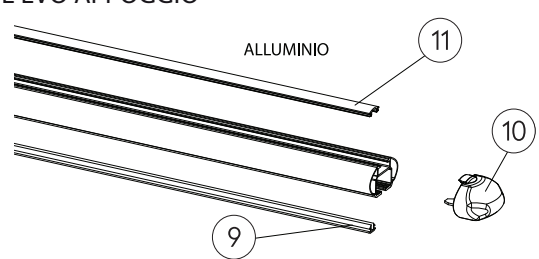
Piede preassemblato
codice: 82001A
comprende: 1+4+5+7+9

12 ■ FREELINE

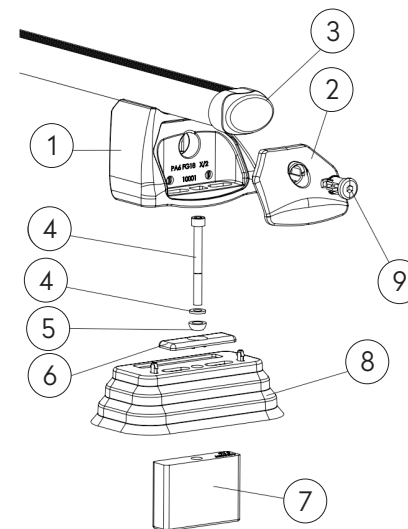
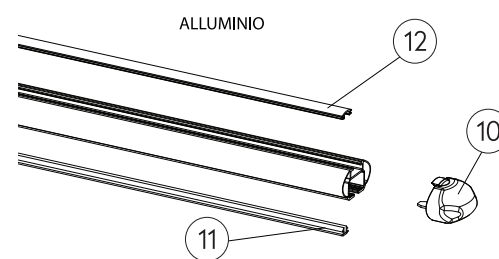


Piede preassemblato
codice: 82001B
comprende: 1+5+6+9

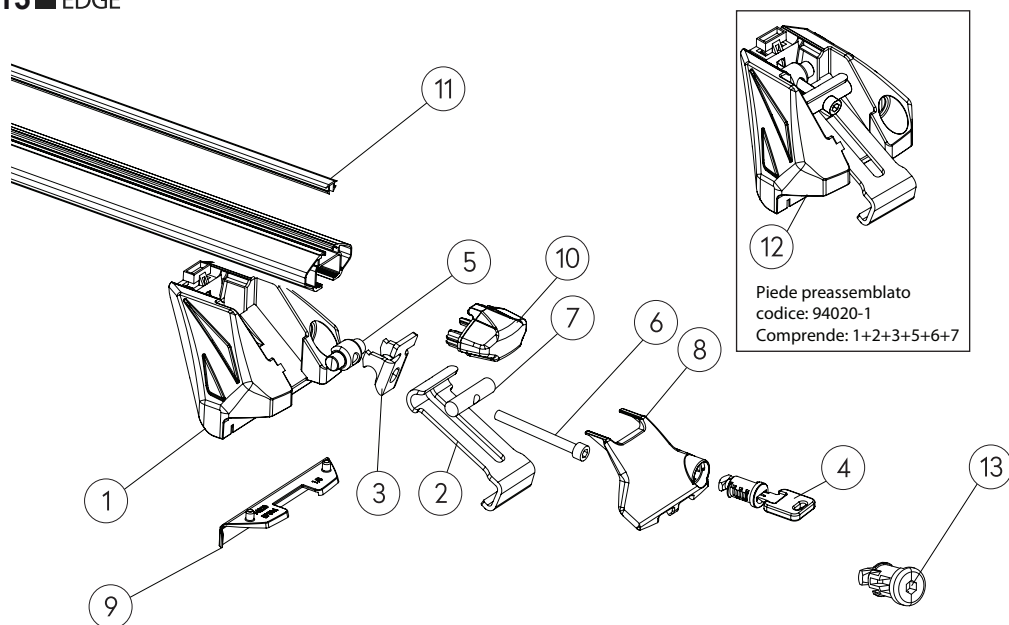
13 ■ EASYONE EVO APPOGGIO



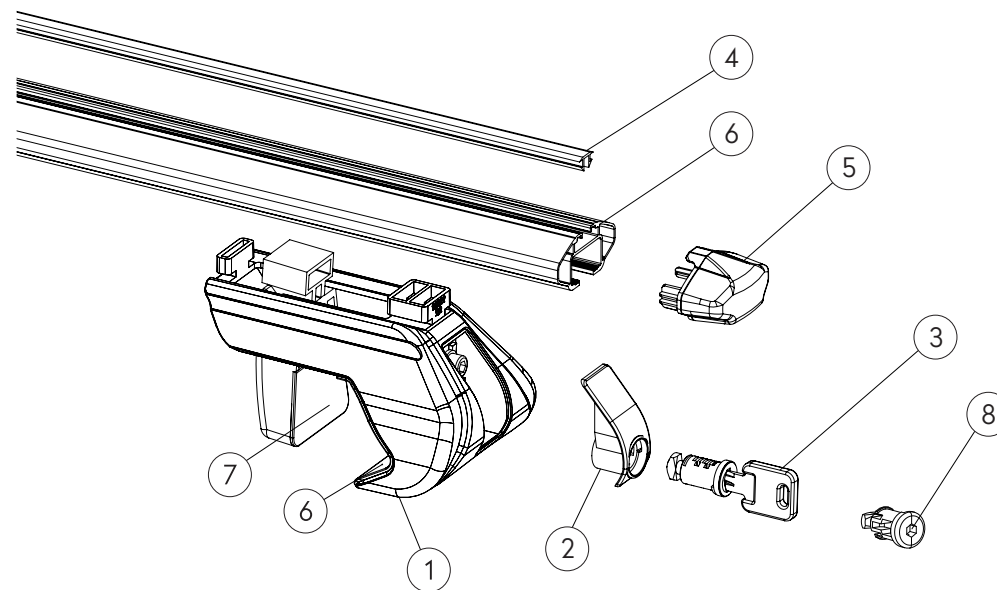
14 ■ EASYONE EVO FIXPOINT



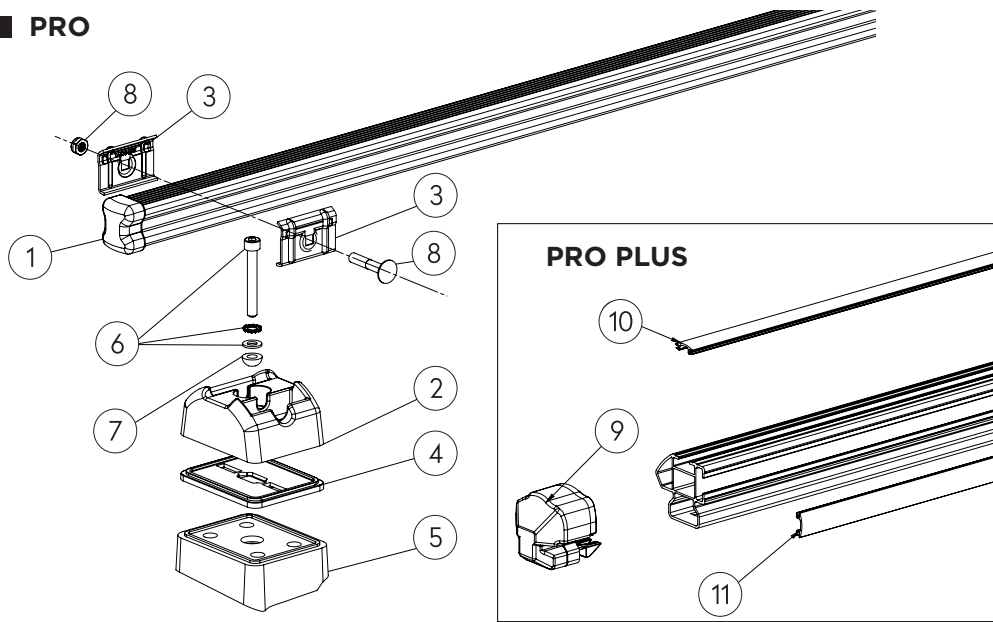
15 ■ EDGE



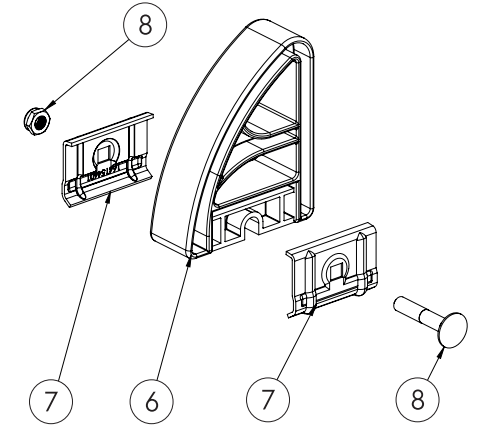
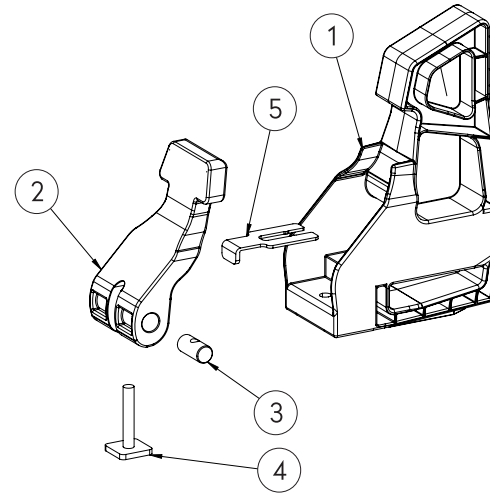
16 ■ TRAX



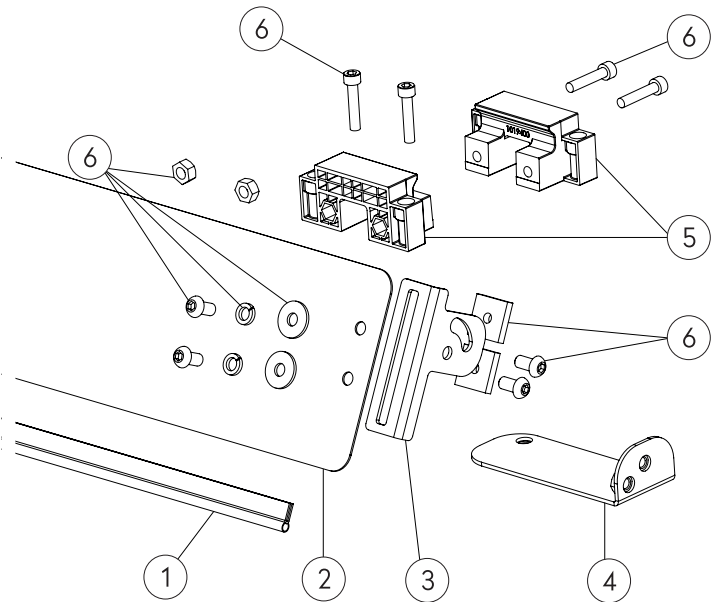
17 ■ PRO



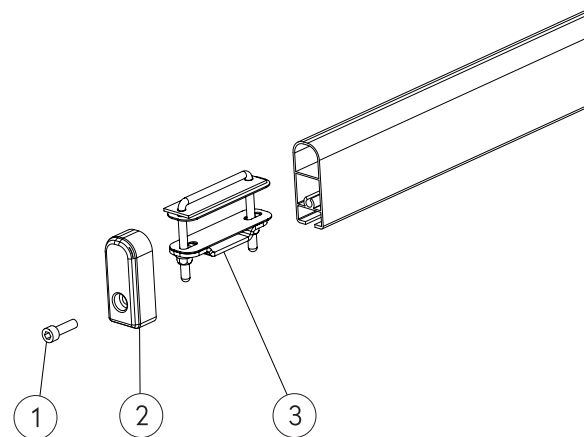
18 ■ FERMACARICO



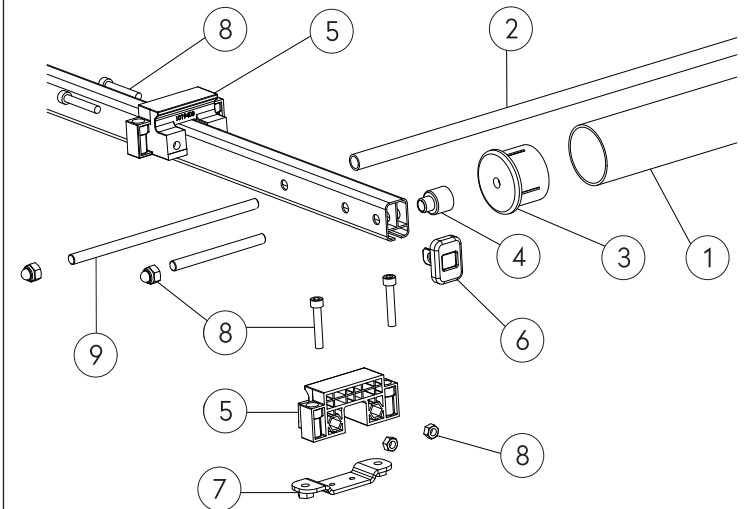
19 ■ DEFLETTORE



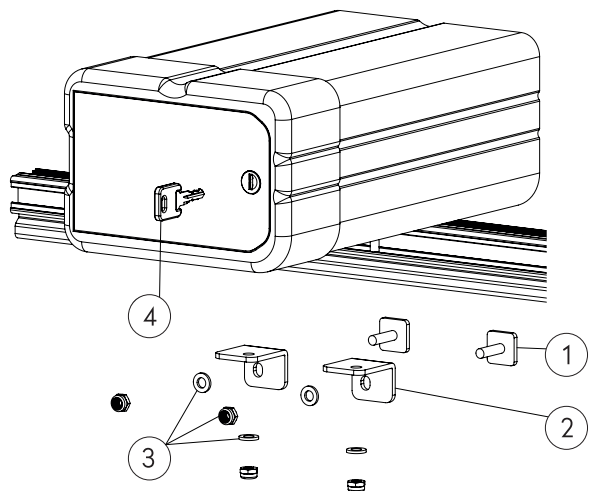
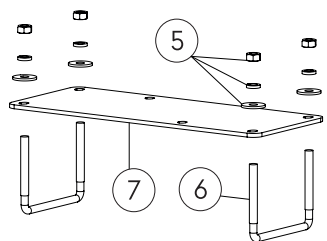
20 ■ SPONDA LATERALE



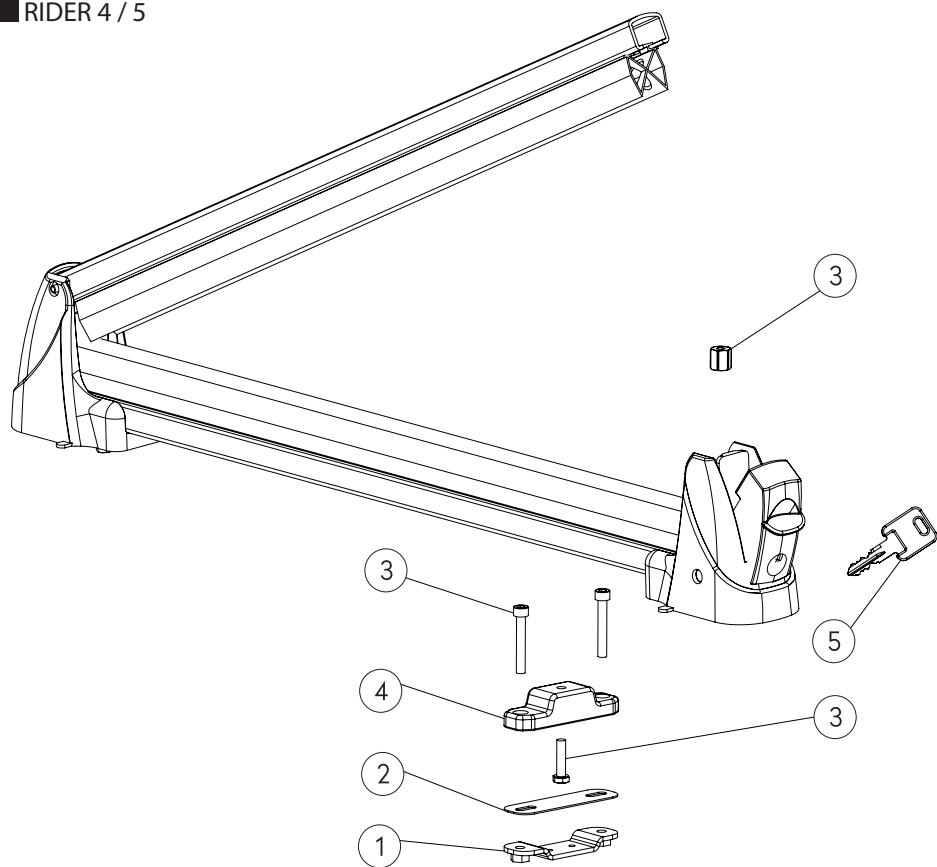
21 ■ RULLO SCALA



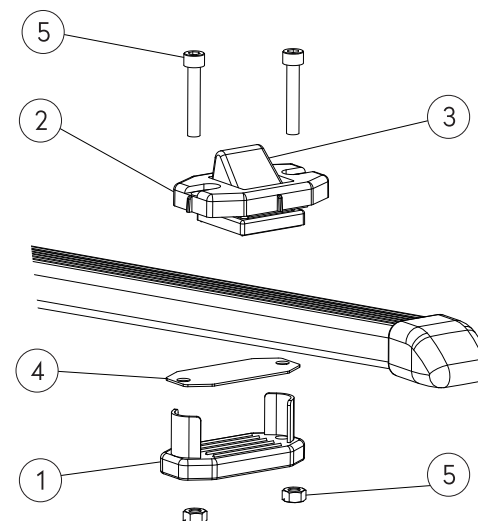
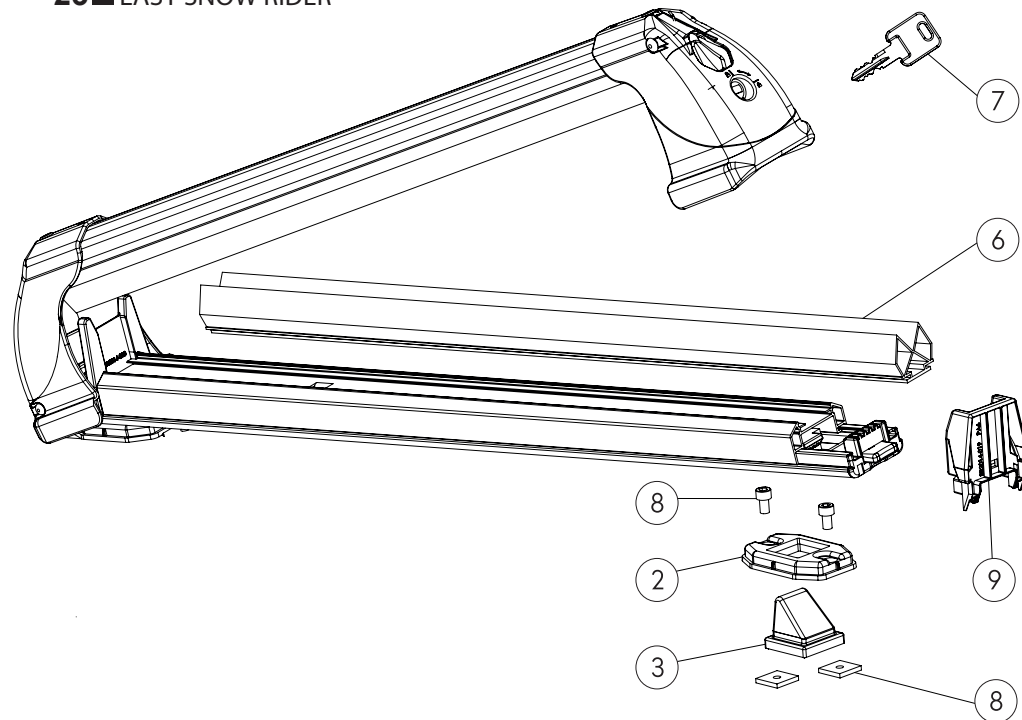
22 ■ TUBO PRO



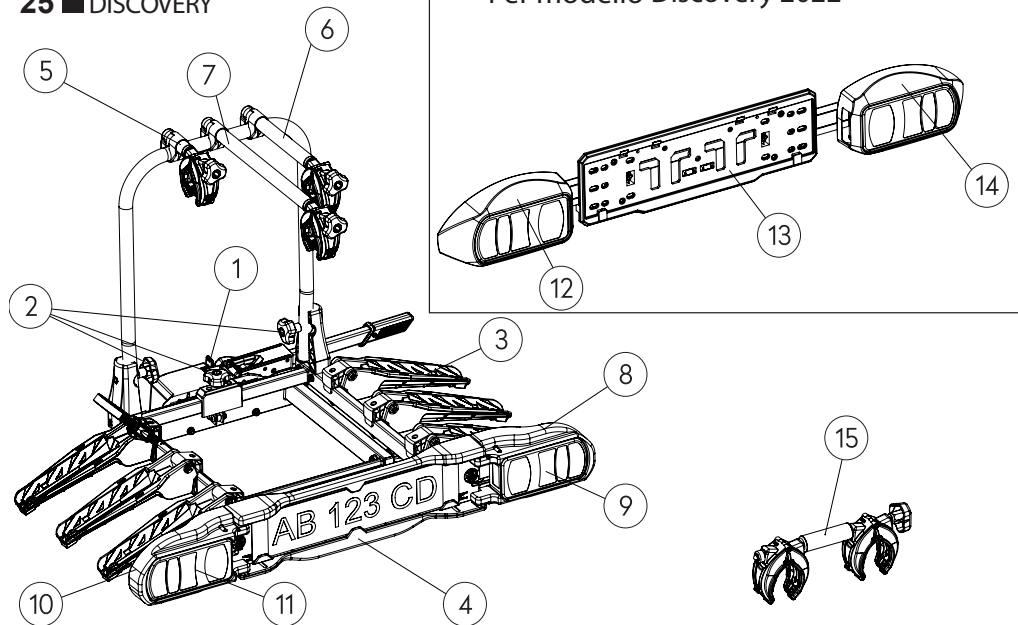
24 ■ RIDER 4 / 5



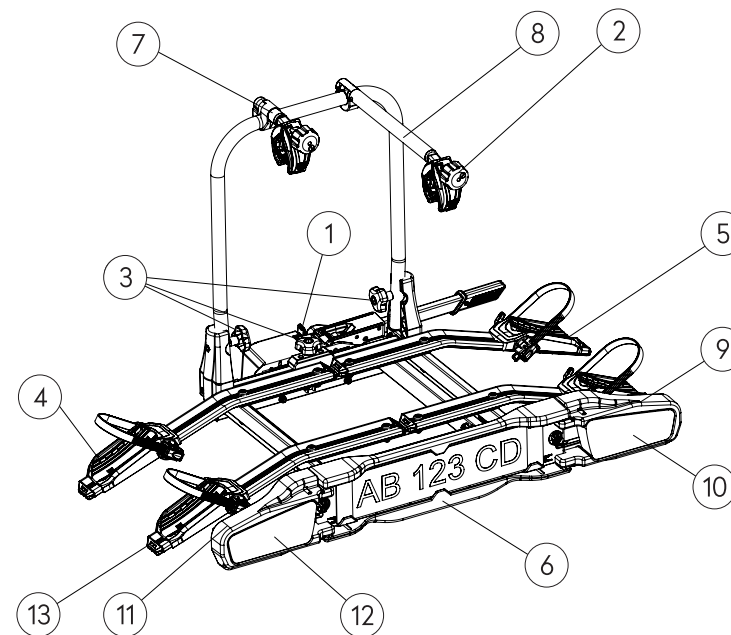
23 ■ EASY SNOW RIDER



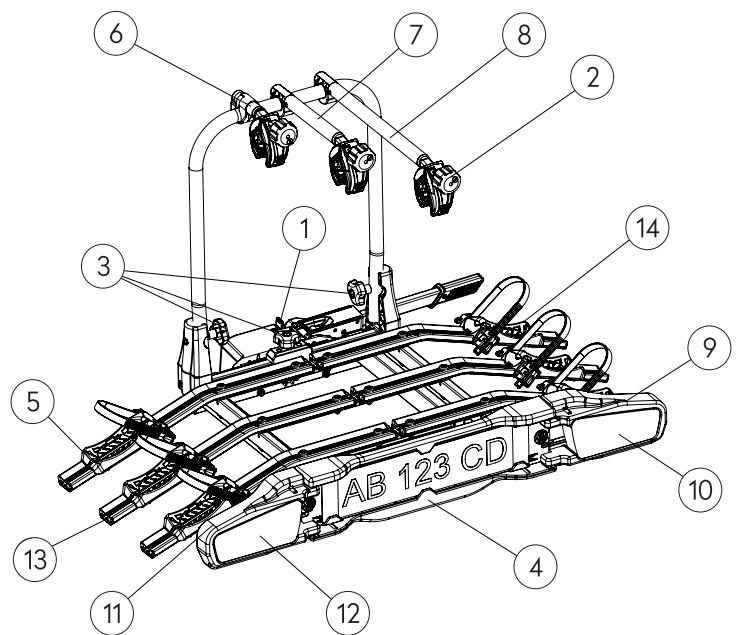
25 ■ DISCOVERY



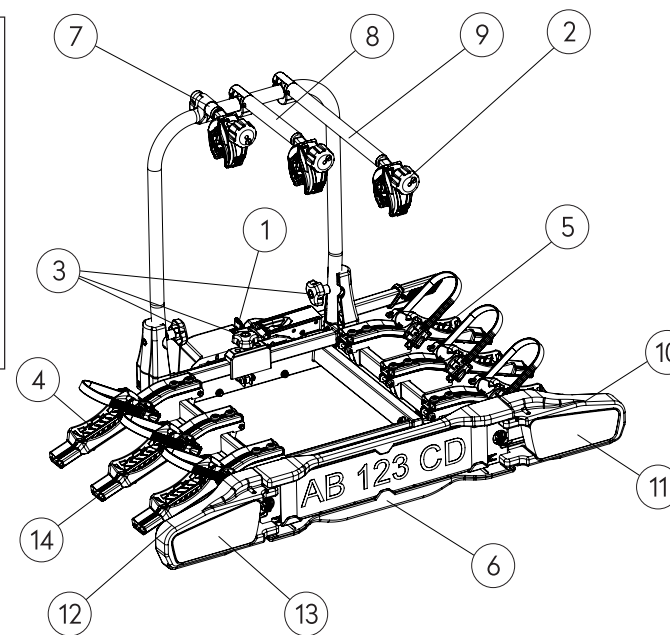
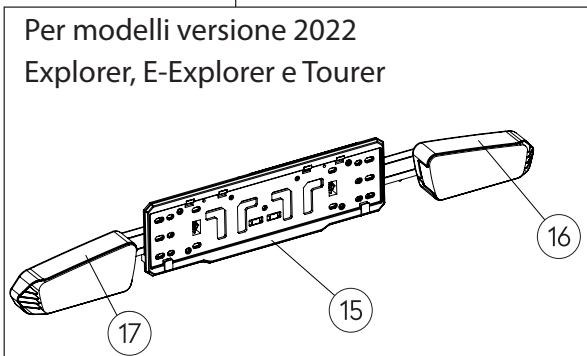
26 ■ E- EXPLORER



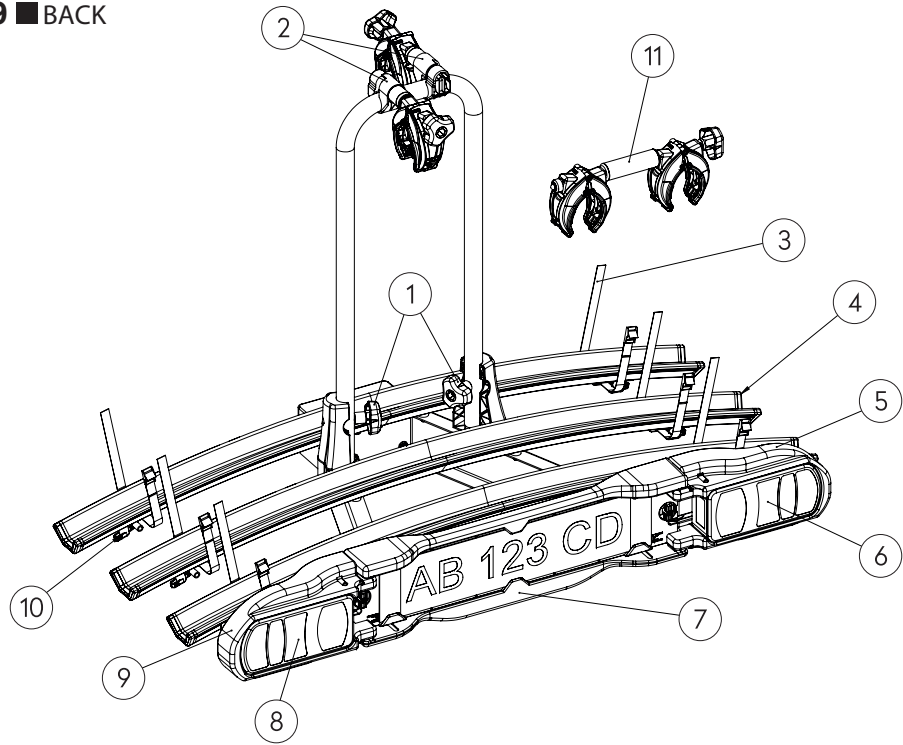
27 ■ EXPLORER



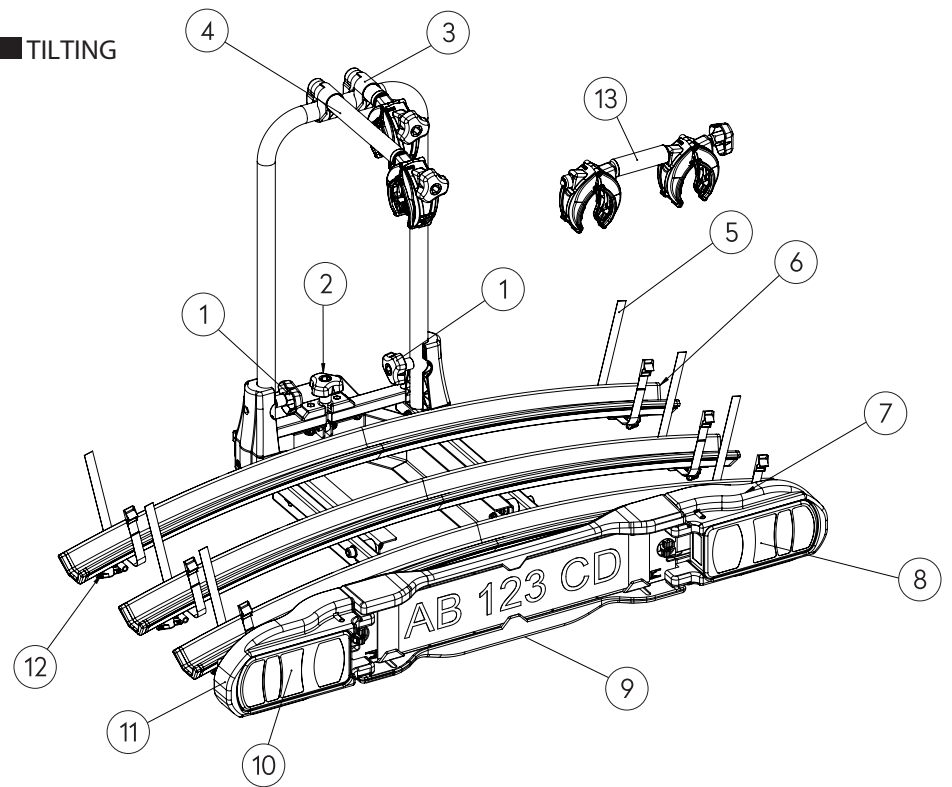
28 ■ TOURER



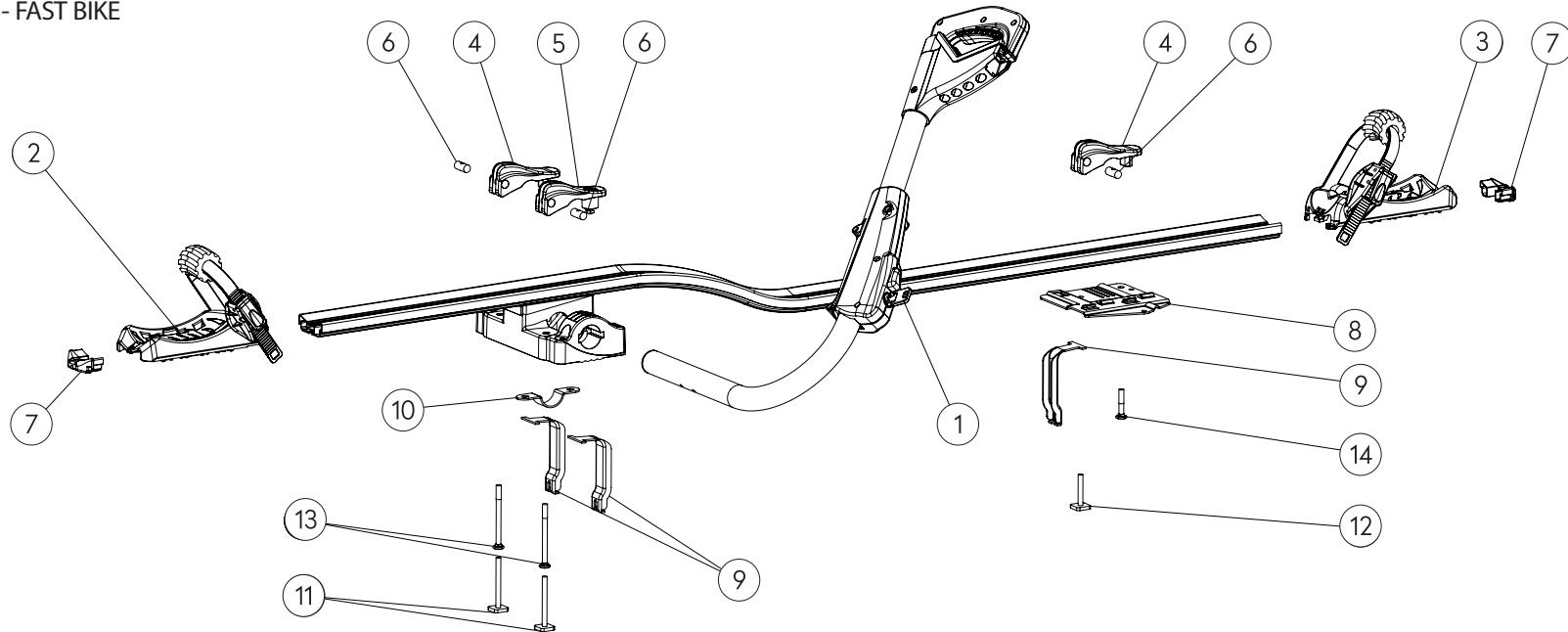
29 ■ BACK



30 ■ TILTING



31 ■ FAST RIDER - FAST BIKE



Cod.	d1					D2				
	I Cm	H Cm	L Cm	Kg	Q.ty	I Cm	H Cm	L Cm	Kg	Q.ty
2919	75	8	15	1	1	x	x	x	x	x
101 804	7	14	16	0,15	1	x	x	x	x	x
156 000	5	3,5	6,5	0,2	1	x	x	x	x	x
156 002	5	3,5	6,5	0,2	1	x	x	x	x	x
156 500	17	17	17	1	1	x	x	x	x	x
156 507	7	5	113	2,5	1	22	11	120	15	6
156 513	7	5	118	2,7	1	22	11	120	16,2	6
156 515	19	8	115	2,7	1	x	x	x	x	x
156 520	7	5	125	3	1	22	11	132	18	6
156 526	7	5	131	3,3	1	22	11	132	19,8	6
156 530	19	8	115	2,8	1	x	x	x	x	x
156 535	4	4	135	2	1	12	10	140	12	6
156 542	7	5	149	3,7	1	x	x	x	x	x
156 550	4	4	150	2,5	1	12	10	153	15	6
156 570	4	4	170	3	1	12	10	173	18	6
156 600	17	17	17	1,2	1	x	x	x	x	x
156 601	17	17	17	1	1	x	x	x	x	x
156 607	8	8	115	2	1	24,5	16,5	120	12	6
156 613	8	8	119	2,1	1	24,5	16,5	120	12,6	6
156 620	8	8	133	2,2	1	24,5	16,5	137	15	6
156 626	8	8	136	2,3	1	24,5	16,5	137	15,6	6
156 642	8	8	149	2,6	1	x	x	x	x	x
156 700	18,5	7	18	0,5	1	x	x	x	x	x
156 715	19	8	115	2,9	1	x	x	x	x	x
156 730	19	8	115	3,8	1	x	x	x	x	x
156 790	88	9	20	2,2	1	x	x	x	x	x
156 791	20	3	10	0,1	1	x	x	x	x	x
156 815	12	11	139	3,7	1	x	x	x	x	x
156 830	12	11	139	4	1	x	x	x	x	x
156 857	12	14,5	120	3,9	1	x	x	x	x	x
156 865	12	14,5	120	4	1	x	x	x	x	x
156 915	12	11	139	3	1	x	x	x	x	x
156 930	12	11	139	3,3	1	x	x	x	x	x
156 957	12	14,5	120	3,3	1	x	x	x	x	x
156 965	12	14,5	120	3,5	1	x	x	x	x	x
157 812	14	12	119	2,8	1	x	x	x	x	x
157 820	14	12	119	2,8	1	x	x	x	x	x
157 920	11	12	138	2,8	1	x	x	x	x	x
157 935	11	12	138	3	1	x	x	x	x	x
158 002	21	10	104	4,5	1	23	42	105	18	4
160 504	15	14	79	3	1	30	28	80	13	4
160 507	15	14	79	3,6	1	30	28	80	15	4
160 509	29	6	23	0,9	1	x	x	x	x	x
160 510	15	14	79	4,6	1	30	28	80	18	4
160 514-2	78	26	59,5	18,5	1	x	x	x	x	x
160 514-3	78	26	59,5	20,7	1	x	x	x	x	x
160 514-4	93	26	59,5	22,2	1	x	x	x	x	x
160 659	146	10	37	5,2	1	x	x	x	x	x

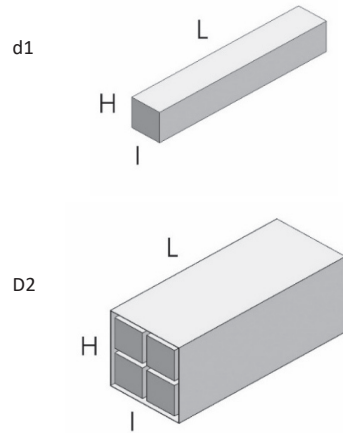


Tabella Pesì e Dimensioni Imballi

Cod.	d1					D2				
	l Cm	H Cm	L Cm	Kg	Q.ty	l Cm	H Cm	L Cm	Kg	Q.ty
160 661	146	12	37	5,4	1	x	x	x	x	x
160 665	40	20	120	13	1	x	x	x	x	x
160 667	80	26	120	15	1	x	x	x	x	x
160 668	80	26	120	15,5	1	x	x	x	x	x
160 673	14	7,5	36	0,8	1	x	x	x	x	x
160 674	93	26	59,5	22,5	1	x	x	x	x	x
160 675	14	7,5	36	1	1	x	x	x	x	x
160 680	12	6	108	1	1	x	x	x	x	x
160 850	17	6	10	0,3	1	x	x	x	x	x
160 885	10	8	20	0,4	1	x	x	x	x	x
161 665	14	7,5	36	0,5	1	x	x	x	x	x
164 001	18,5	15	21,5	1,2	1	x	x	x	x	x
164 002	17	17	17	1,1	1	x	x	x	x	x
164 007	8	9	116	2,5	1	21	21	126	15	6
164 013	8	9	122	2,6	1	21	21	126	15,5	6
164 020	8	9	129	2,7	1	21	21	138	16	6
164 026	8	9	136	2,8	1	21	21	138	16,5	6
164 035	6	5,5	148	2	1	20	14	150	12,5	6
164 042	8	9	151	3,1	1	x	x	x	x	x
164 050	6	5,5	165	2,1	1	20	14	167	13	6
164 070	6	5,5	183	2,3	1	20	14	185	14	6
164 071	18,5	7	18	0,8	1	x	x	x	x	x
164 072	8,5	7,5	179	3	1	x	x	x	x	x
164 073	8,5	7,5	179	3,2	1	x	x	x	x	x
164 074	10	8	20	0,8	1	x	x	x	x	x
164 075	22	15	320	12,5	1	x	x	x	x	x
164 076	18,5	7	18	0,5	1	x	x	x	x	x
164 077	5,5	6,5	121	2,3	1	x	x	x	x	x
164 078	5,5	6,5	151	2,7	1	x	x	x	x	x
164 080	5,5	6,5	201	3,5	1	x	x	x	x	x
164 081	18,5	7	18	0,5	1	x	x	x	x	x
164 082	12	5	63	2	1	x	x	x	x	x
164 083	12	5	93	2,5	1	x	x	x	x	x
164 084	18,5	7	18	0,7	1	x	x	x	x	x
164 085	18,5	7	18	0,9	1	x	x	x	x	x
164 107	8	9	116	2,6	1	x	x	x	x	x
164 113	8	9	122	2,7	1	x	x	x	x	x
164 120	8	9	129	2,8	1	x	x	x	x	x
164 126	8	9	136	2,9	1	x	x	x	x	x
164 142	8	9	151	3,2	1	x	x	x	x	x
EasyOne EVO	17	12	133	4,5	1	x	x	x	x	x
EasyOne EVO Alù	17	12	133	3,5	1	x	x	x	x	x
Kit Original	20	8	21	1,2	1	x	x	x	x	x
Kit Pro x 4	9	22	25	1,7	1	x	x	x	x	x
Kit Pro x 6	10	23	34	2,5	1	x	x	x	x	x
Kit Quick	10	8	20	0,5	1	x	x	x	x	x
Kit Trek	10	8	20	0,5	1	x	x	x	x	x

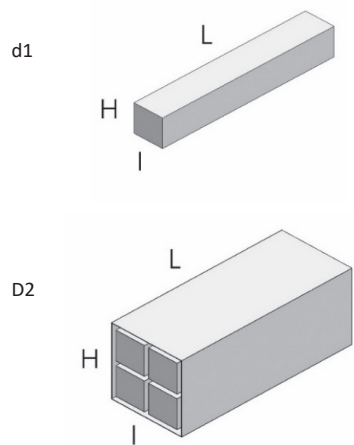


Tabella Pesi e Dimensioni Imballi